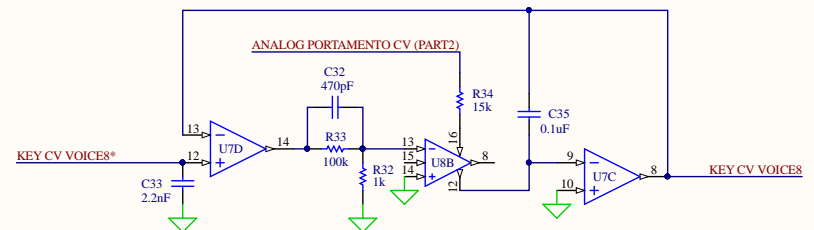
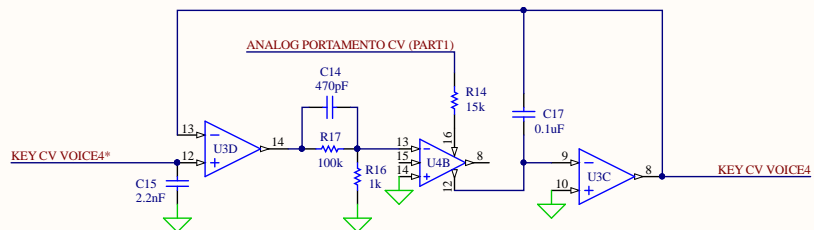
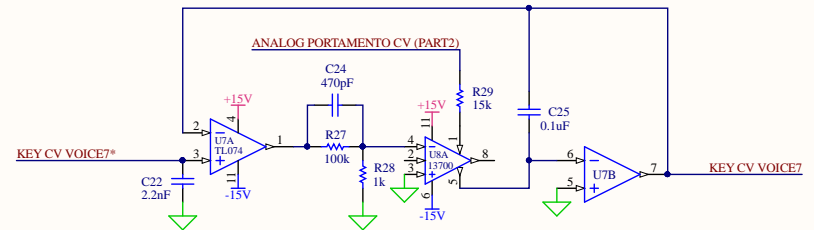
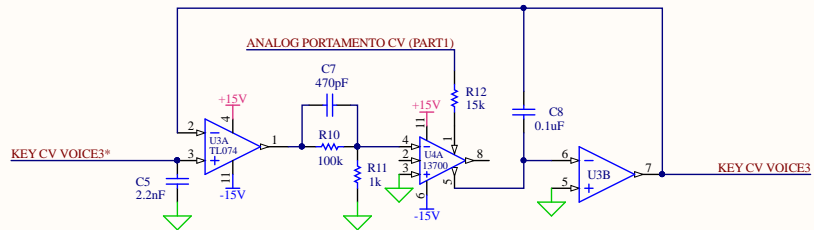
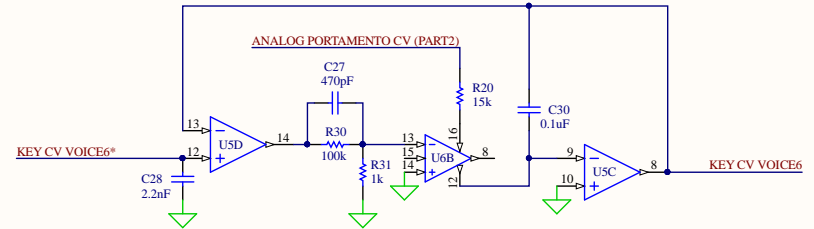
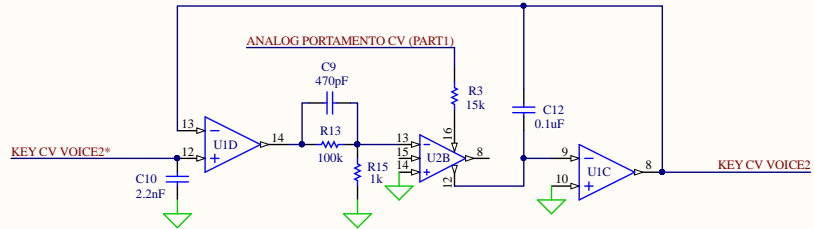
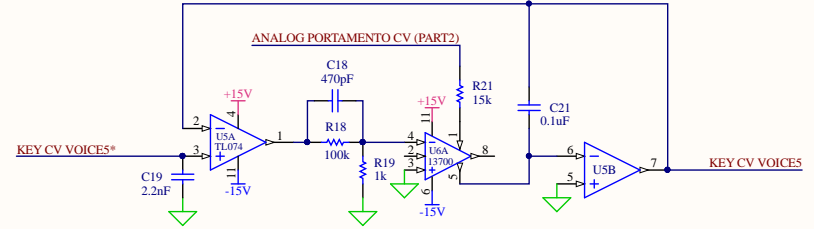
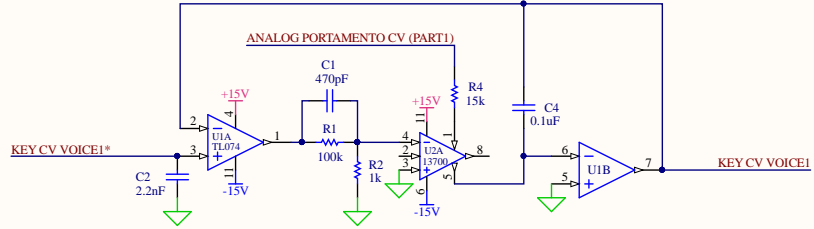
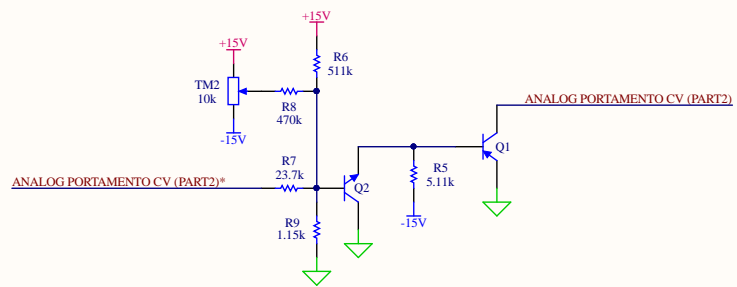
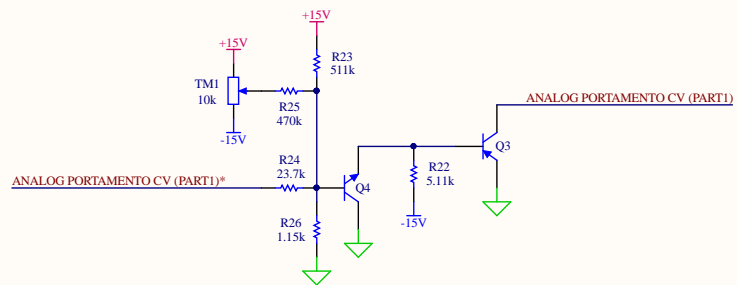


<b>MCU</b>	Part Number: 00243-01	<b>Abstrakt Instruments</b> Vintage Sound. Modern Design.
Date: 8/22/2023	Project: VS-1 Mainboard.PrjPcb	
File: Mainboard Sheet1.SchDoc	Author: BC	
	Sheet 1 of 18	Rev: A



<b>ANALOG GLIDE VCA's</b>		Part Number: 00243-01
Date: 8/22/2023		Project: VS-1 Mainboard.PrjPcb
File: Mainboard Sheet2.SchDoc		Author: BC
		Sheet 2 of 18 Rev: A

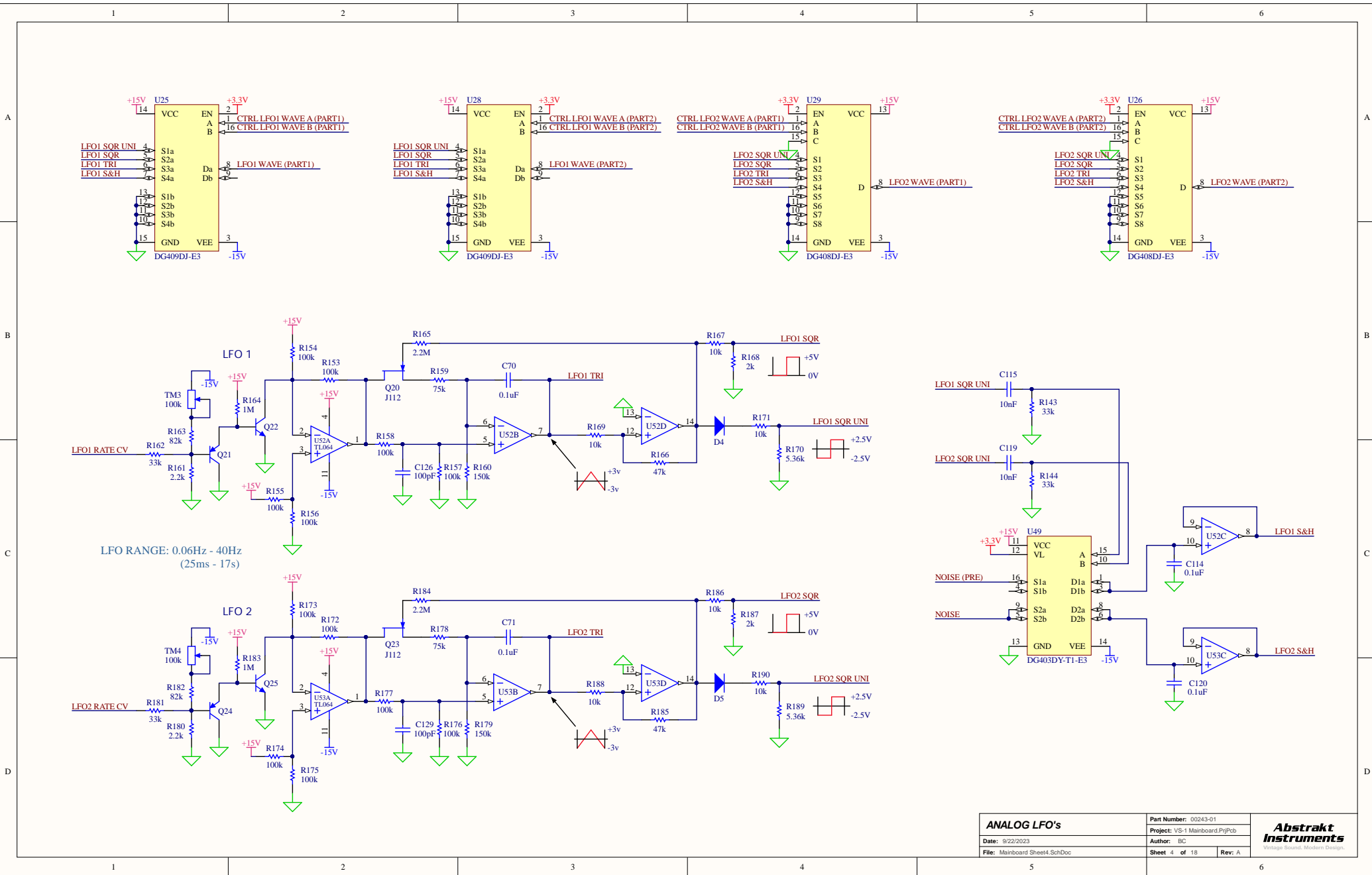




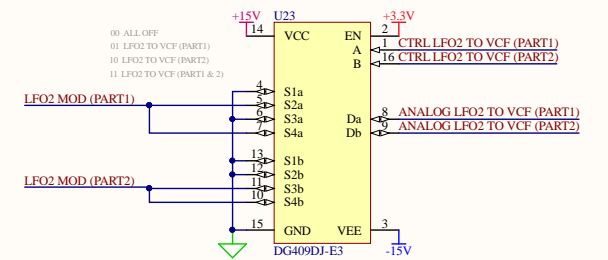
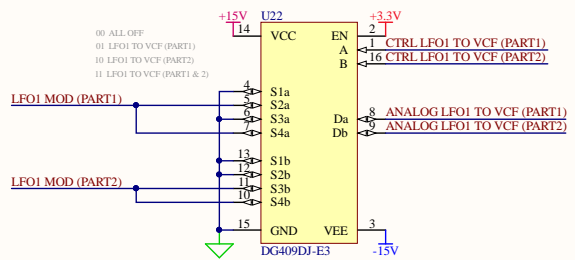
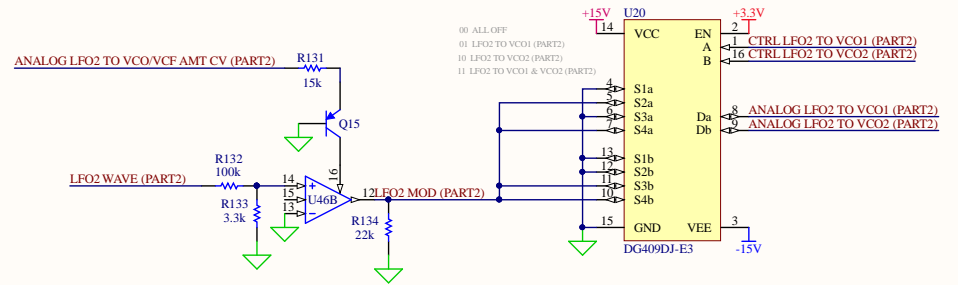
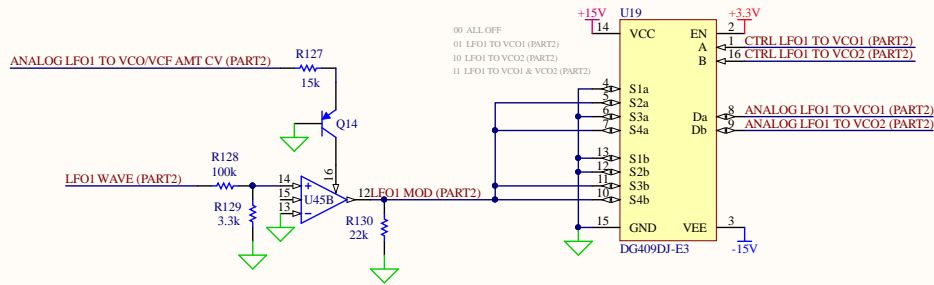
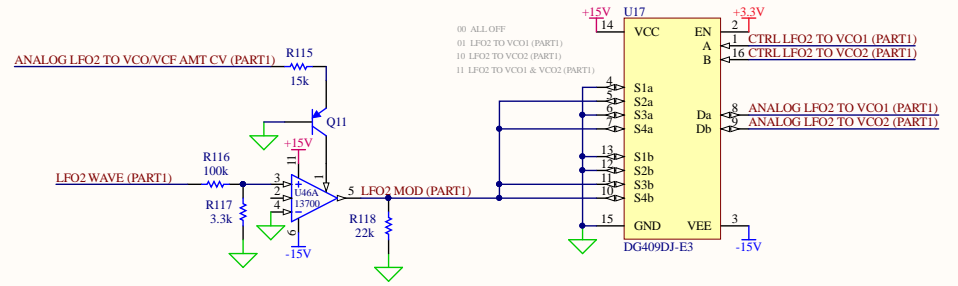
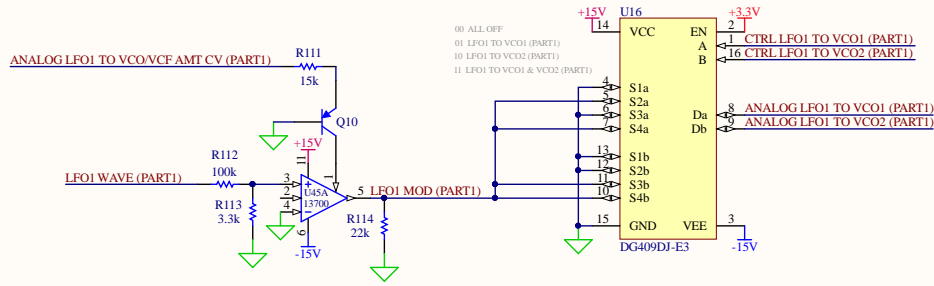
Minimum Portamento time will vary depending on how many voices are installed. Make sure the maximum time at min setting is <100uS.

<b>ANALOG GLIDE CV's</b>		Part Number: 00243-01
Date: 8/22/2023	Project: VS-1 Mainboard.PrjPcb	Author: BC
File: Mainboard Sheet3.SchDoc	Sheet 3 of 18	Rev: A

**Abstrakt  
Instruments**  
Vintage Sound. Modern Design.



<b>ANALOG LFO's</b>	Part Number: 00243-01	<b>Abstrakt Instruments</b> Vintage Sound. Modern Design.
Date: 8/22/2023	Project: VS-1 Mainboard.PrjPcb	
File: Mainboard Sheet4.SchDoc	Author: BC	
	Sheet 4 of 18	Rev: A

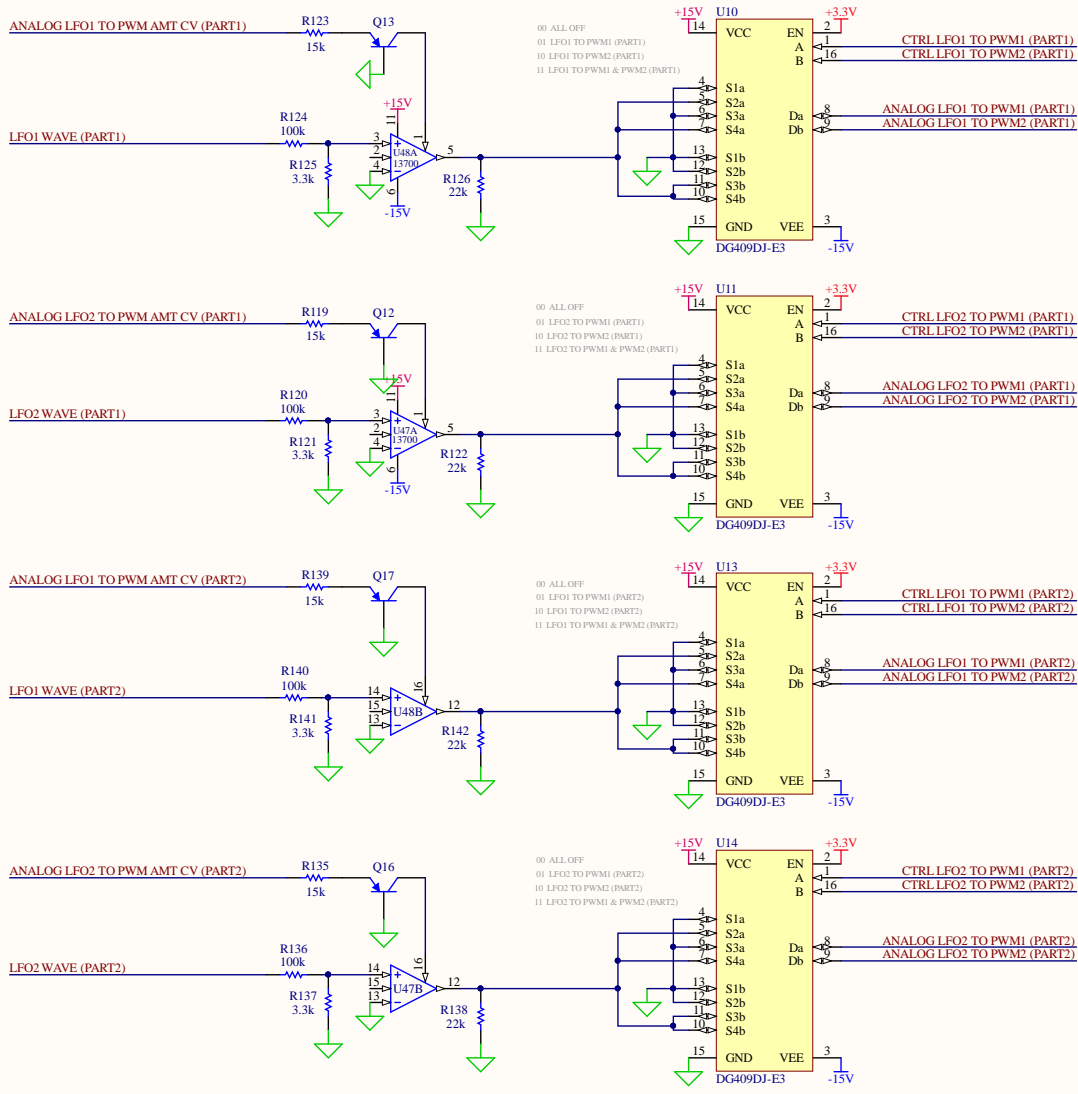


A

B

C

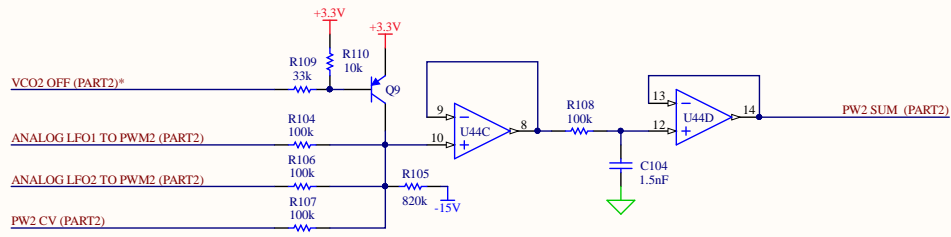
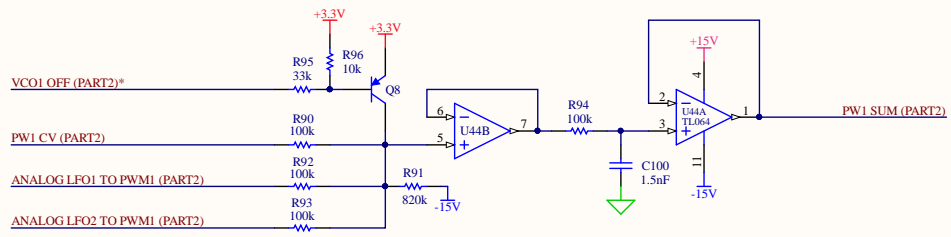
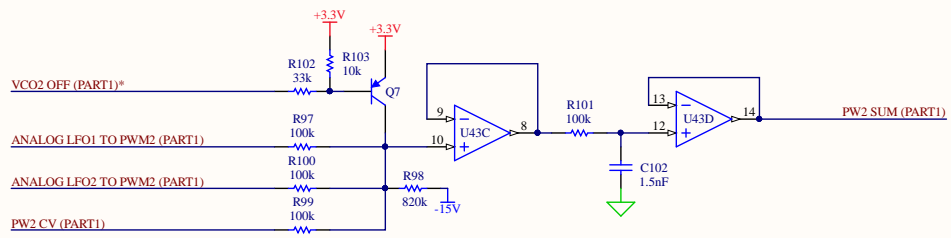
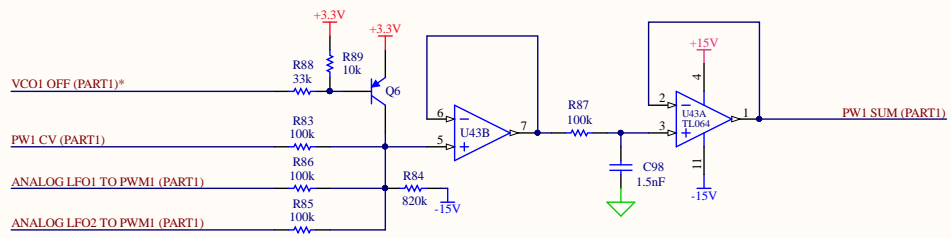
D



**NOTES**  
2. All PNP BC557B

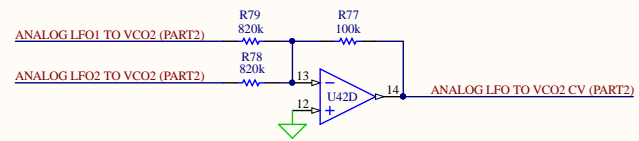
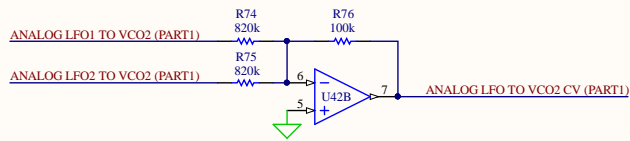
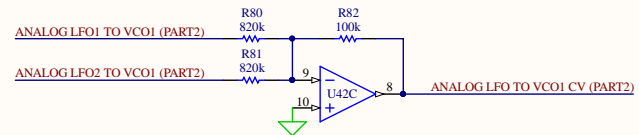
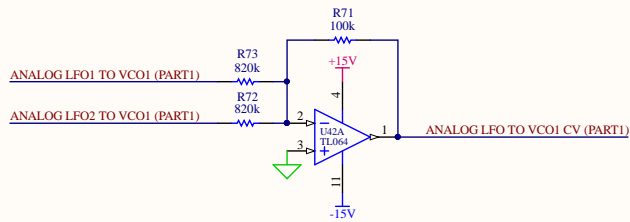
<b>ANALOG LFO's TO PW</b>		Part Number: 00243-01
Date: 8/22/2023	Project: VS-1 Mainboard.PrjPcb	Author: BC
File: Mainboard Sheet6.SchDoc	Sheet 6 of 18	Rev: A





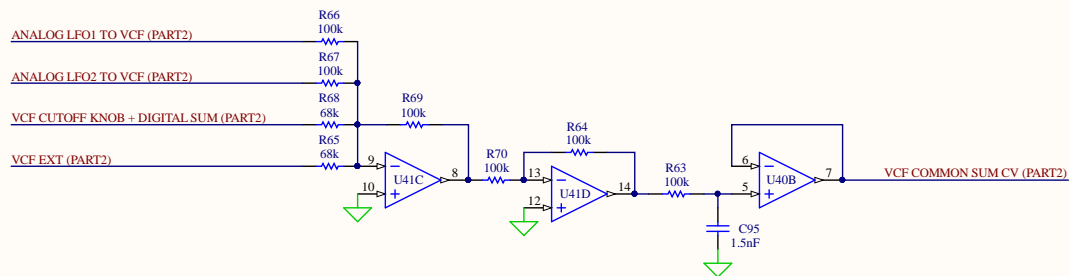
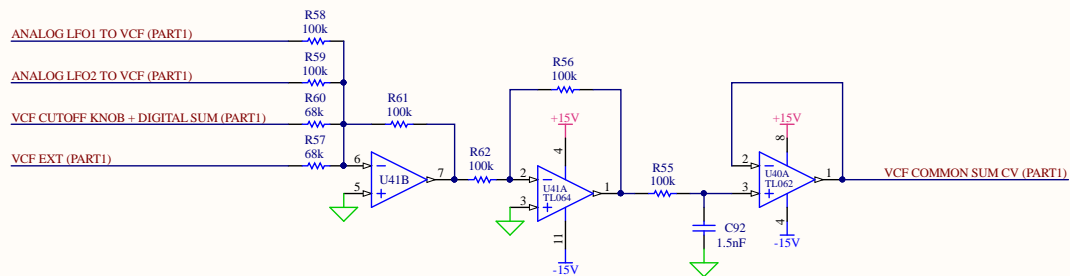
<b>PWM COMMON SUM</b>		Part Number: 00243-01
Date: 8/22/2023	Project: VS-1 Mainboard.PrjPcb	Author: BC
File: Mainboard Sheet7.SchDoc	Sheet 7 of 18	Rev: A





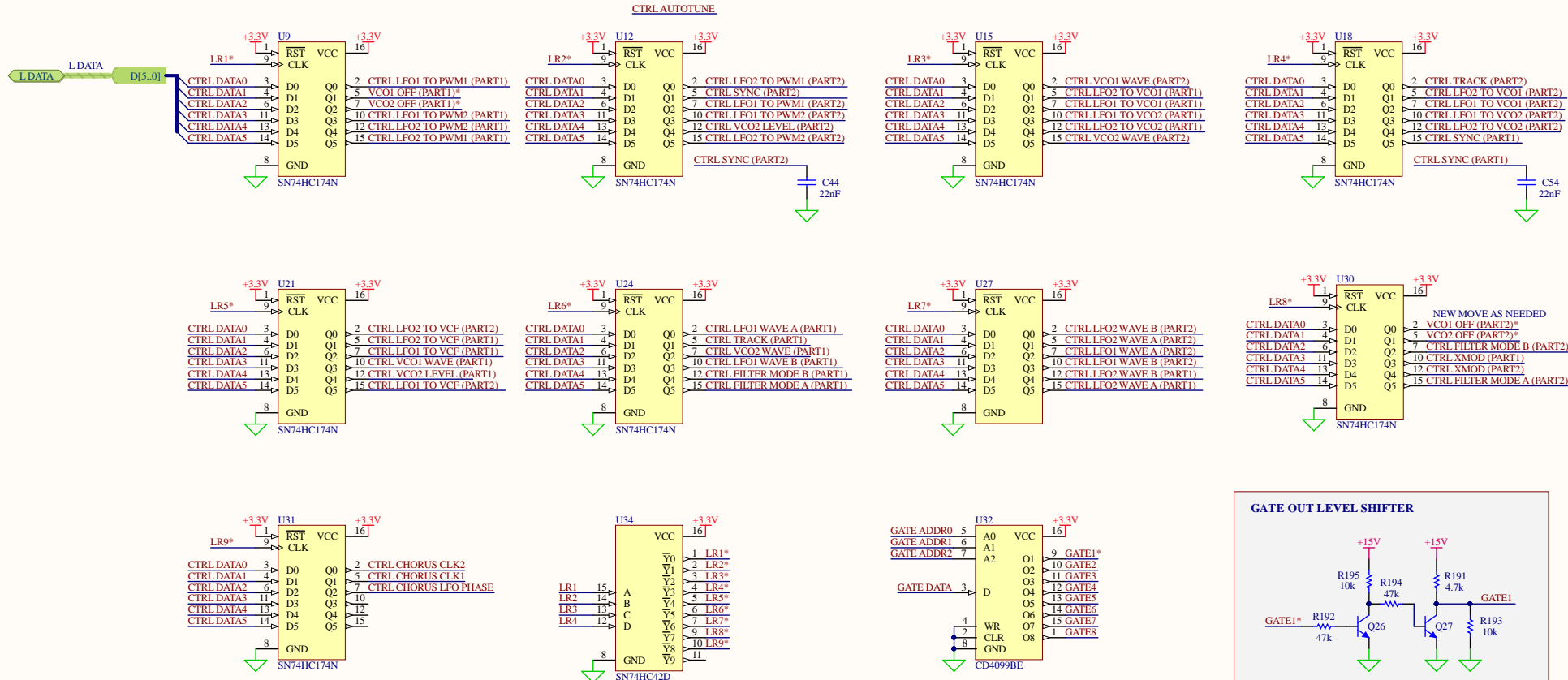
<b>ANALOG LFO's TO VCO's</b>		Part Number: 00243-01	<b>Abstrakt Instruments</b> <small>Vintage Sound. Modern Design.</small>
Date: 8/22/2023		Project: VS-1 Mainboard.PrjPcb	
File: Mainboard Sheet8.SchDoc		Author: BC	
		Sheet 8 of 18	Rev: A

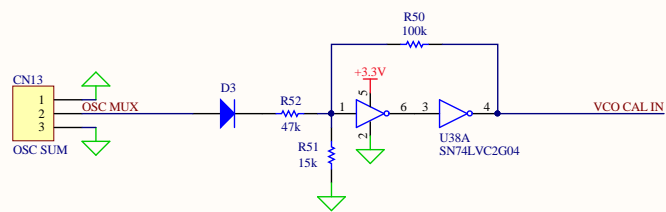




<b>VCF COMMON SUM</b>		Part Number: 00243-01
Date: 8/22/2023		Project: VS-1 Mainboard.PrjPcb
File: Mainboard Sheet8.SchDoc		Author: BC
		Sheet 9 of 18 Rev: A

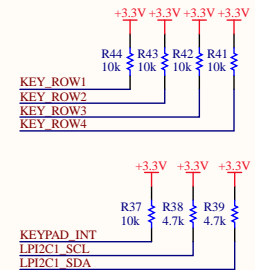
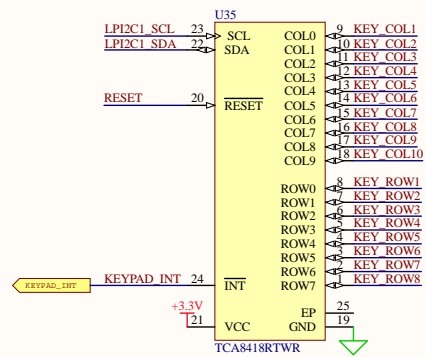
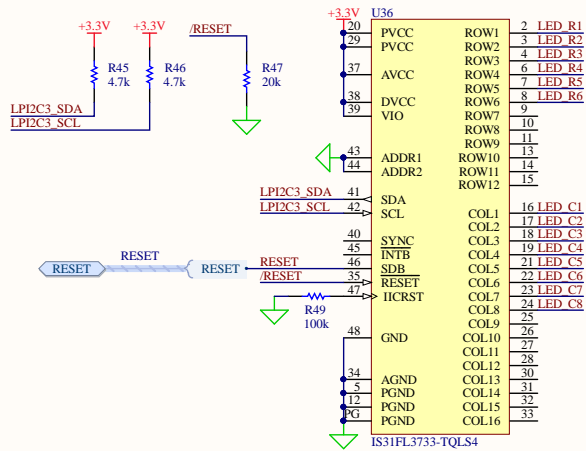




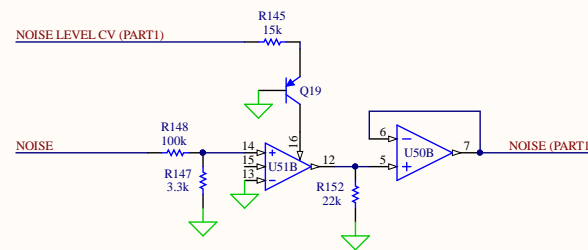
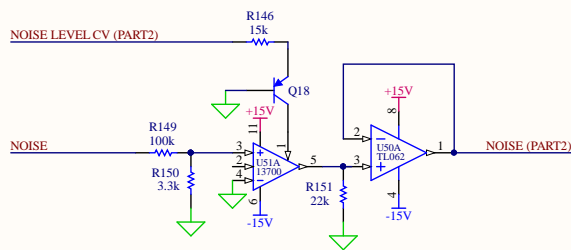
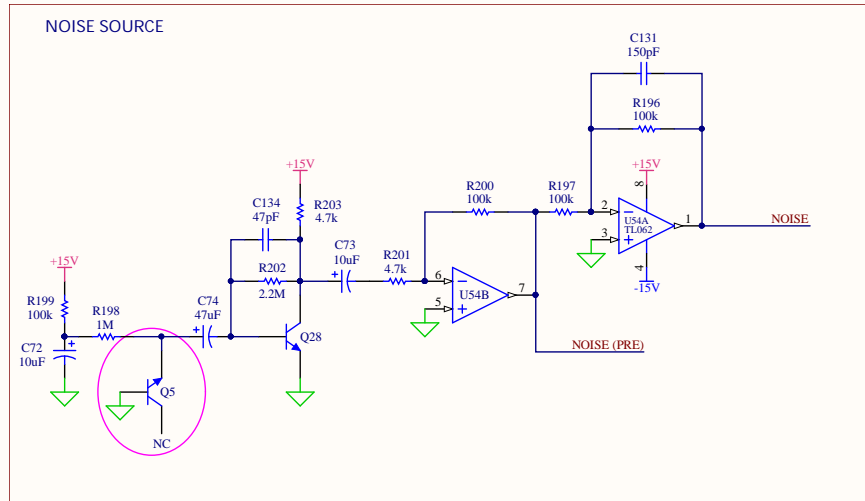


<b>VCO CAL INPUT</b>		Part Number: 00243-01	
Date: 8/22/2023		Project: VS-1 Mainboard.PriPcb	
File: Mainboard Sheet11.SchDoc		Author: BC	
		Sheet 11 of 18	Rev: A

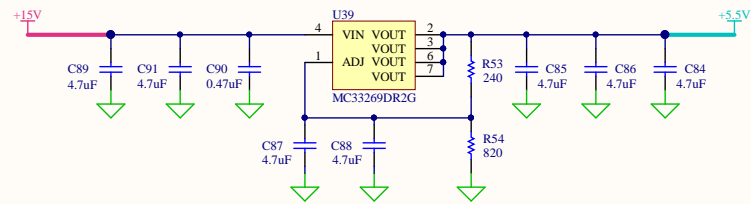
**Abstrakt  
Instruments**  
Vintage Sound. Modern Design.



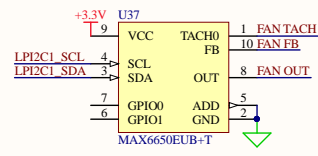
<b>SWITCH &amp; LED DRIVERS</b>	Part Number: 00243-01	<b>Abstrakt Instruments</b> Vintage Sound. Modern Design.
	Project: VS-1 Mainboard.PrjPcb	
Date: 8/22/2023	Author: BC	
File: Mainboard Sheet12.SchDoc	Sheet: 12 of 18	Rev: A



<b>NOISE SOURCE</b>	Part Number: 00243-01	<b>Abstrakt Instruments</b> Vintage Sound. Modern Design.
Date: 8/22/2023	Project: VS-1 Mainboard.PrjPcb	
File: Mainboard Sheet13.SchDoc	Author: BC	Sheet 13 of 18
	Rev: A	

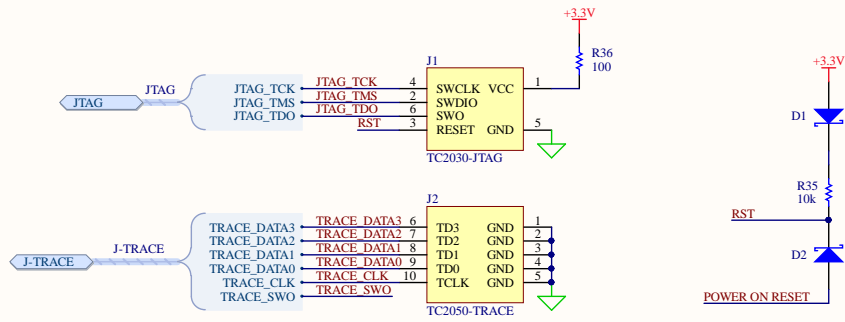


<b>DAC POWER</b>		Part Number: 00243-01	<b>Abstrakt Instruments</b> <small>Vintage Sound. Modern Design.</small>
Date: 8/22/2023	Project: VS-1 Mainboard.PrjPcb	Author: BC	
File: Mainboard Sheet14.SchDoc	Sheet 14 of 18	Rev: A	



<b>FAN CONTROL</b>		Part Number: 00243-01	
Date: 8/22/2023		Project: VS-1 Mainboard.PriPcb	
File: Mainboard Sheet15.SchDoc		Author: BC	
		Sheet 15 of 18	Rev: A

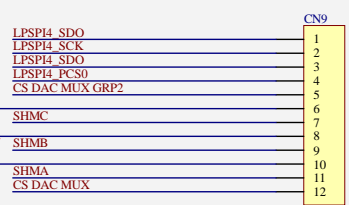
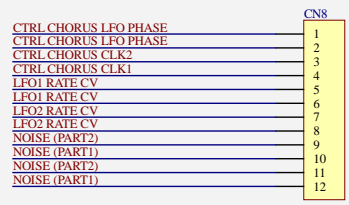
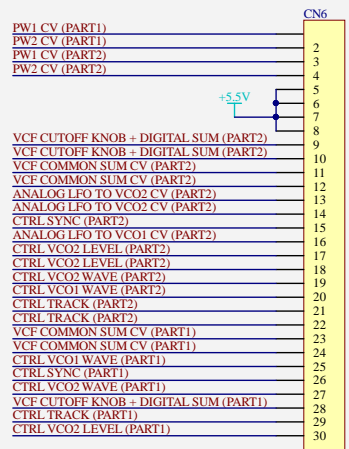
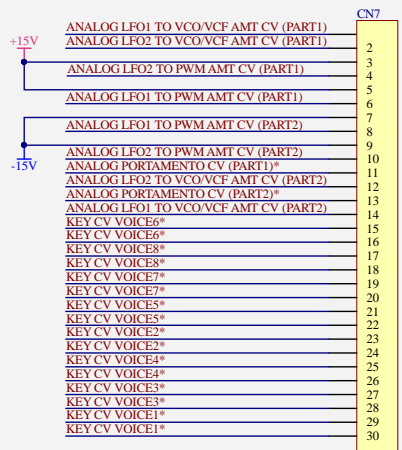
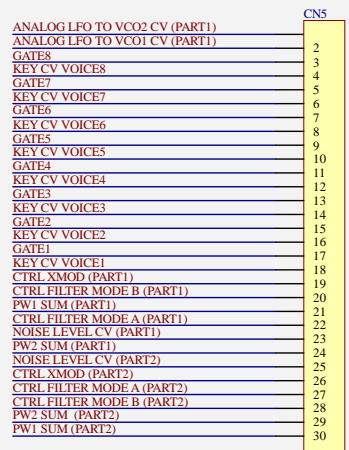




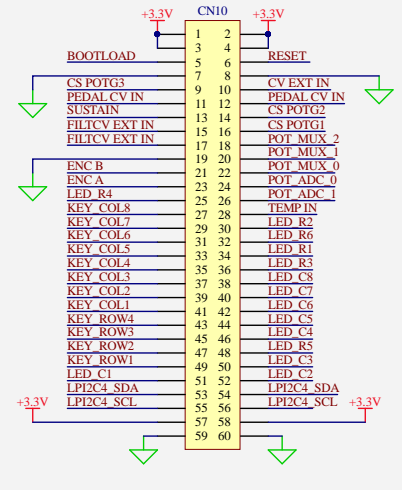
<b>DEBUG</b>	Part Number: 00243-01	<b>Abstrakt Instruments</b> Vintage Sound. Modern Design.
Date: 8/22/2023	Project: VS-1 Mainboard.PrjPcb	
File: Mainboard Sheet16.SchDoc	Author: BC	
	Sheet 16 of 18	Rev: A



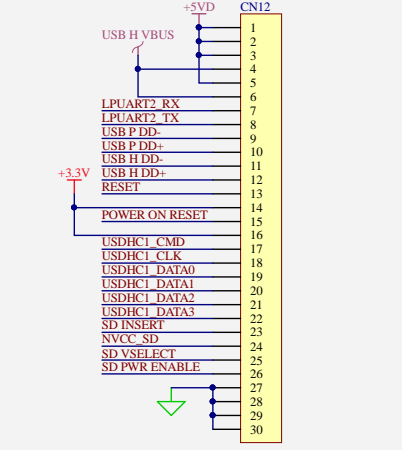
**TO DAC BOARD**



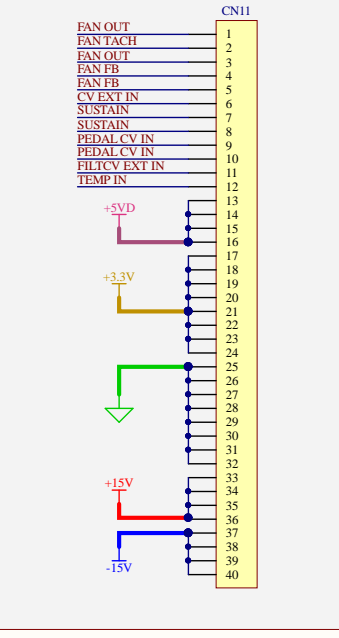
**TO PANELBOARD**



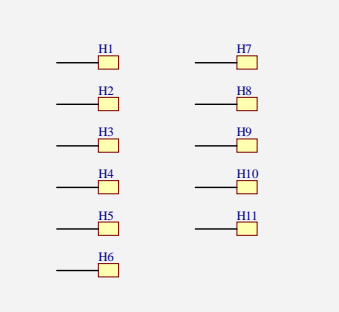
**TO IO BOARD**



**TO VOICE MOBO**



**MOUNTING HOLES**



1 2 3 4 5 6

A

B

C

D

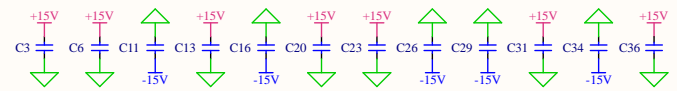
A

B

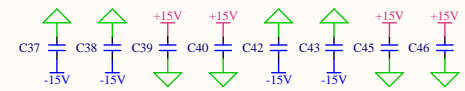
C

D

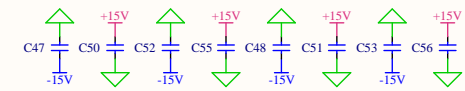
**GLIDE CV's**



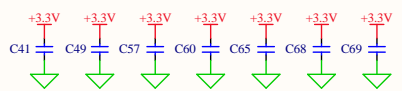
**LFO TO PWM**



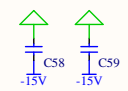
**LFO TO VCO**



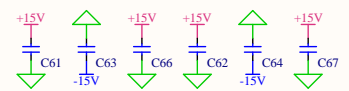
**LATCHES**



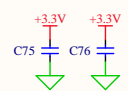
**LFO TO VCF**



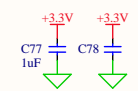
**LFO WAVE SELECTION**



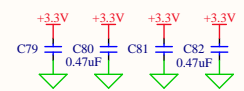
**FLASH**



**SW DRIVER**



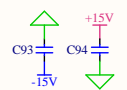
**LED DRIVER**



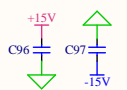
**FAN CONT**



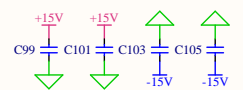
**VCF COMMON**



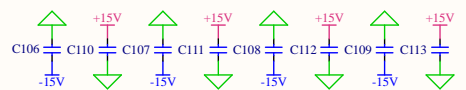
**VCO COMMON**



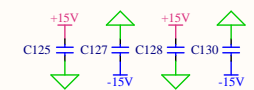
**PWM COMMON**



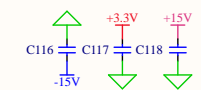
**LFO MOD VCA's**



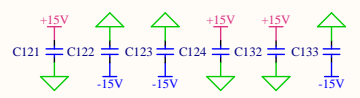
**LFO's**



**LFO S&H**



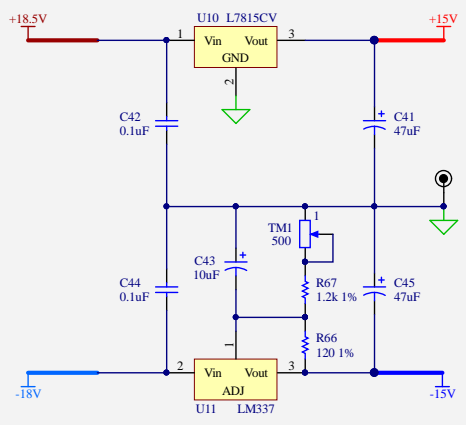
**NOISE**



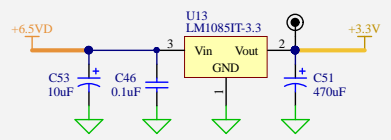
<b>BYPASS CAPS</b>		Part Number: 00243-01	<b>Abstrakt Instruments</b> <small>Vintage Sound, Modern Design.</small>
Date: 8/22/2023		Project: VS-1 Mainboard.PriPcb	
File: Mainboard Sheet18.SchDoc		Author: BC	
		Sheet 18 of 18	Rev: A

1 2 3 4 5 6

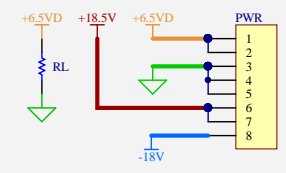
**ANALOG SUPPLY VOLTAGES**



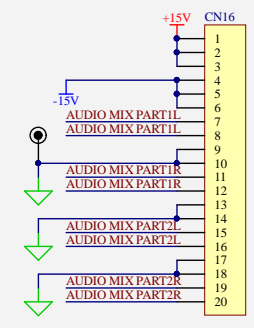
**DIGITAL SUPPLY VOLTAGE**



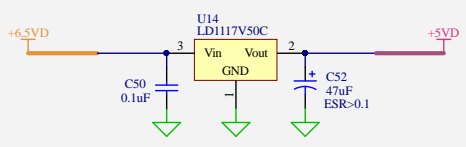
**RAW INPUT FROM SMPSU**



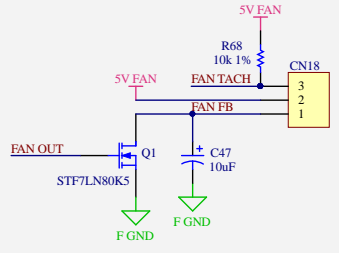
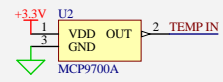
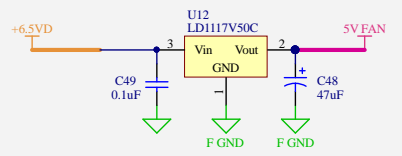
**CONNECTIONS TO OUTPUT BOARD**



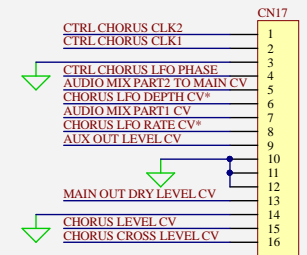
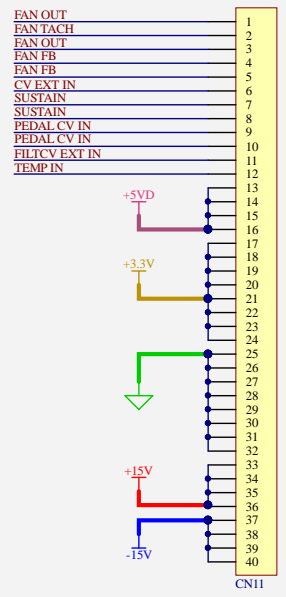
**USB SUPPLY VOLTAGE**

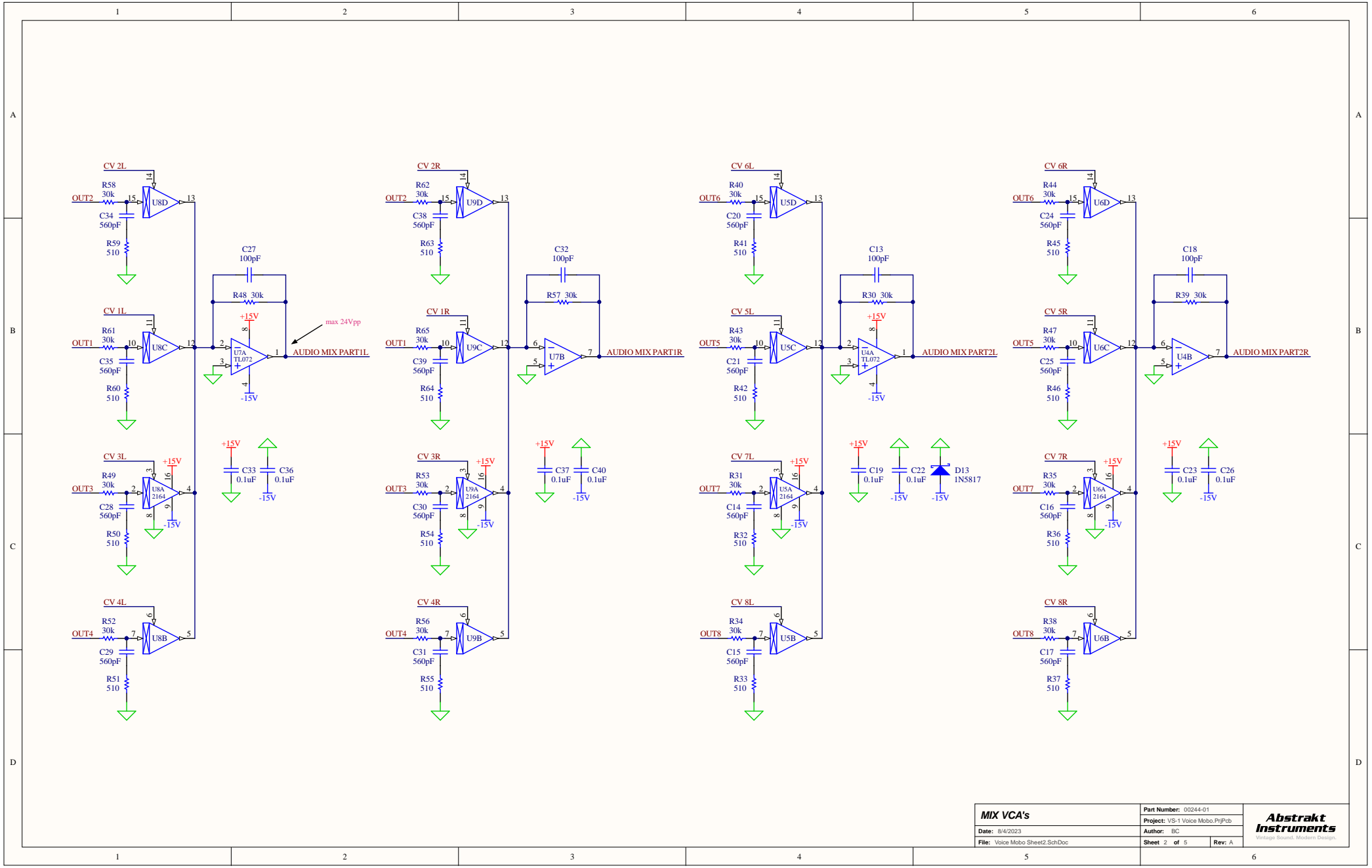


**FAN POWER & CONTROL**



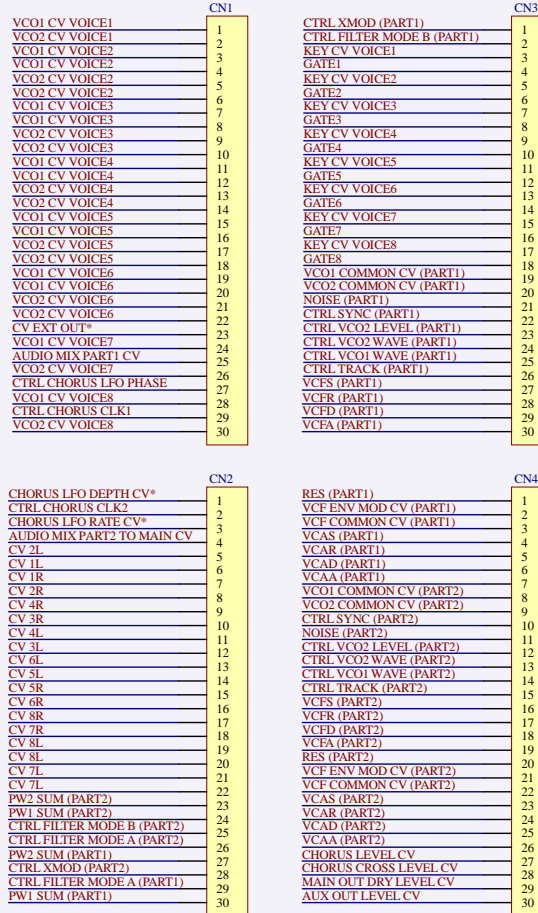
**CONNECTIONS TO MAINBOARD**



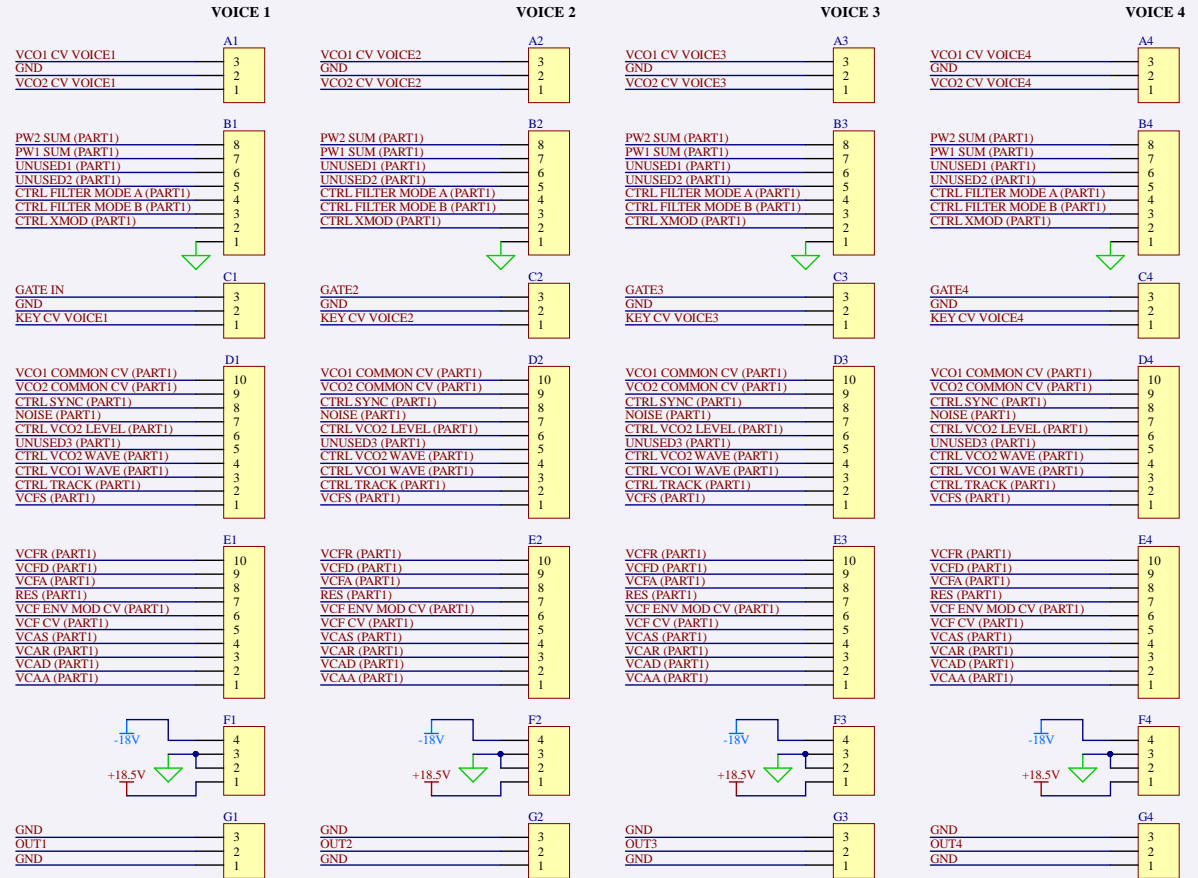


<b>MIX VCA's</b>	Part Number: 00244-01	<b>Abstrakt Instruments</b> Vintage Sound. Modern Design.
Date: 8/4/2023	Project: VS-1 Voice Mubo, PrjPcb	
File: Voice Mubo Sheet2.SchDoc	Author: BC	
	Sheet 2 of 5	Rev: A

TO DAC BOARD



PART 1



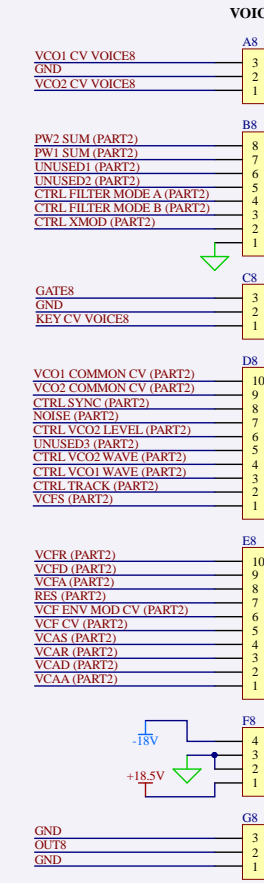
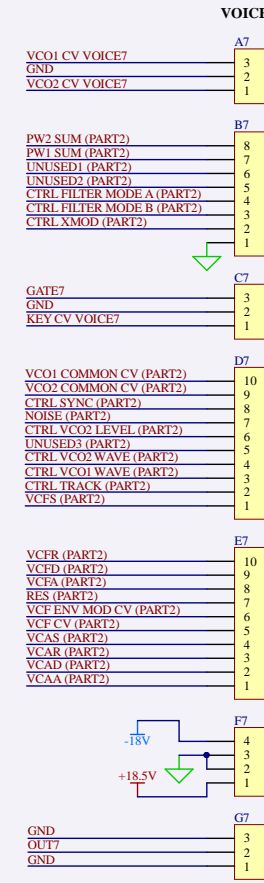
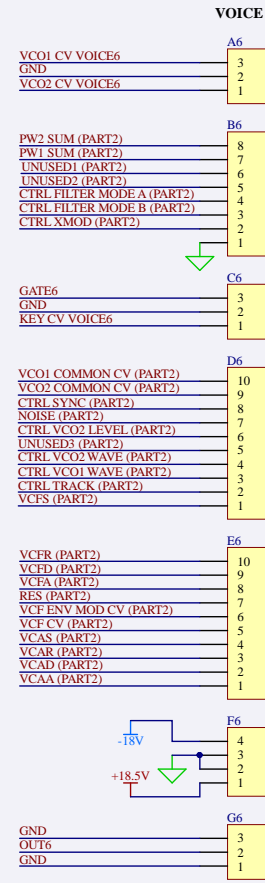
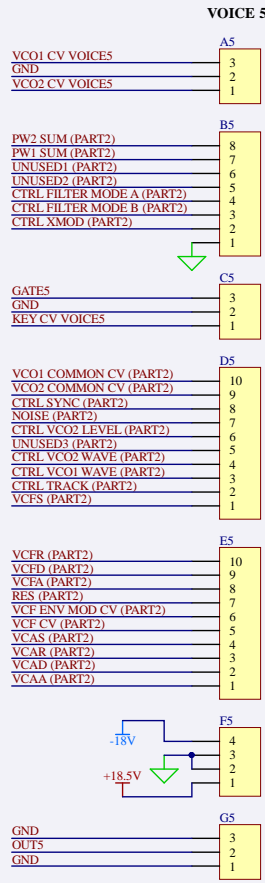
CONNECTORS

Date: 8/4/2023  
File: Voice Mubo Sheet3.SchDoc

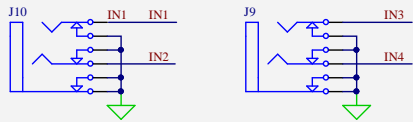
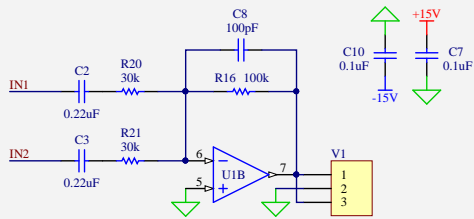
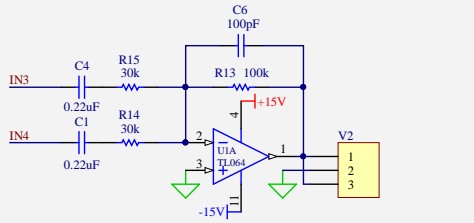
Part Number: 00244-01  
Project: VS-1 Voice Mubo.PrjPcb  
Author: BC  
Sheet 3 of 5  
Rev: A

Abstrakt  
Instruments  
Vintage Sound. Modern Design.

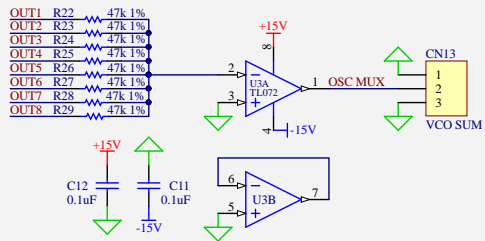
**PART 2**



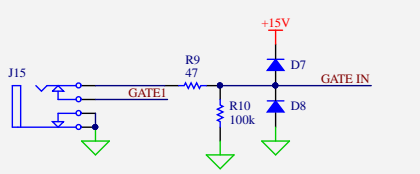
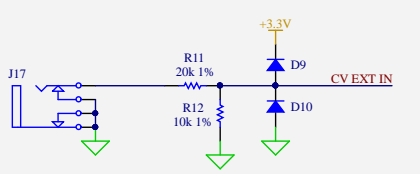
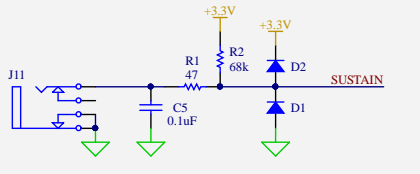
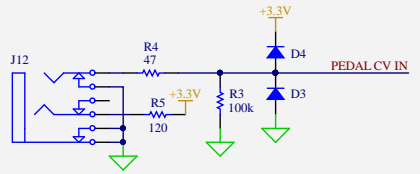
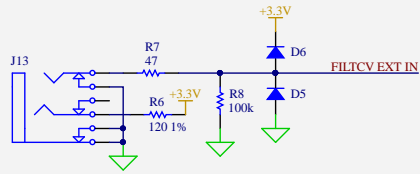
**EXTERNAL AUDIO INPUT**



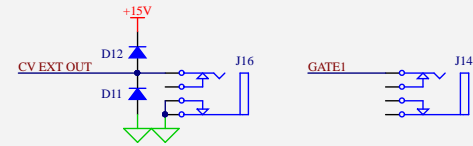
**VCO CALIBRATION SUM**



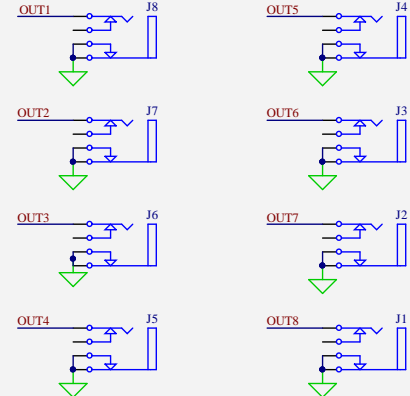
**EXTERNAL CONTROL INPUTS**



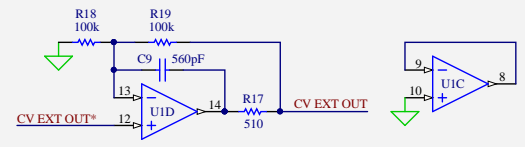
**VOICE 1 CV & GATE OUT**



**DIRECT AUDIO OUTS**



**EXTERNAL CV OUTPUT**

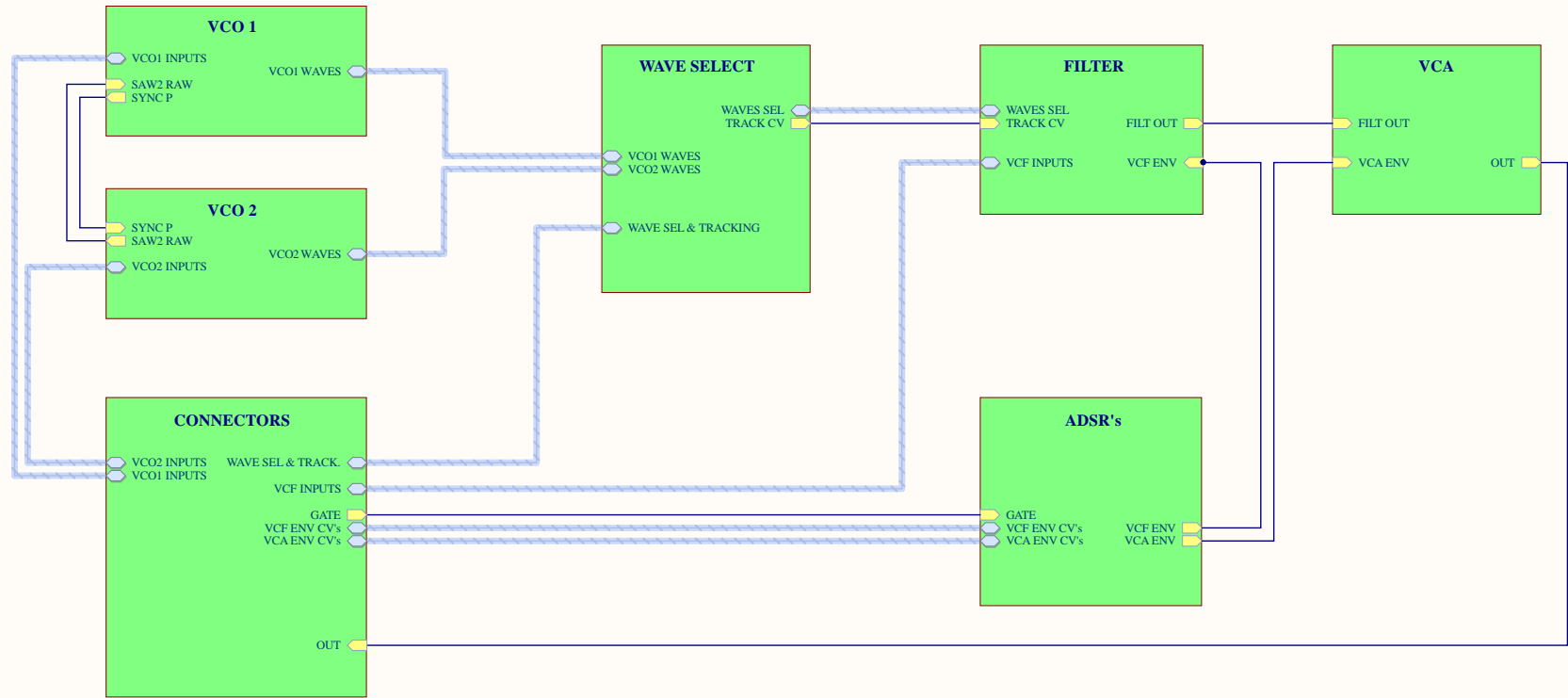


**AUDIO & CV I/O**

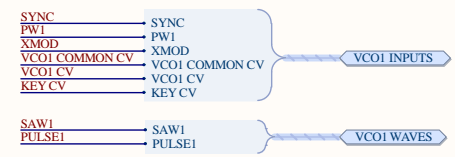
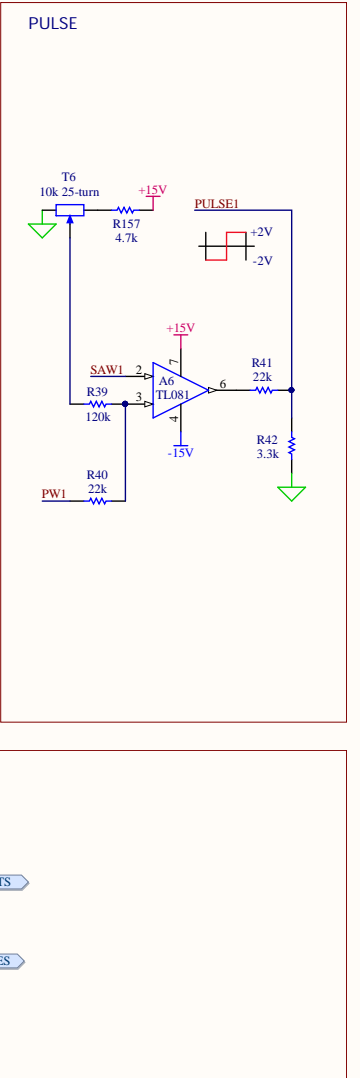
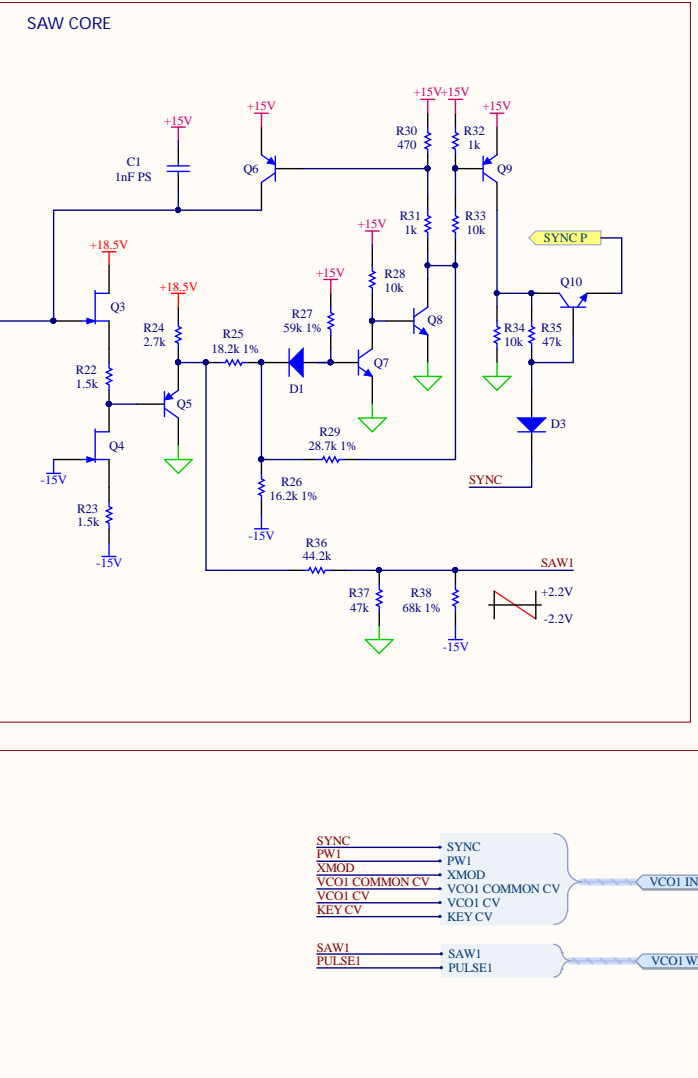
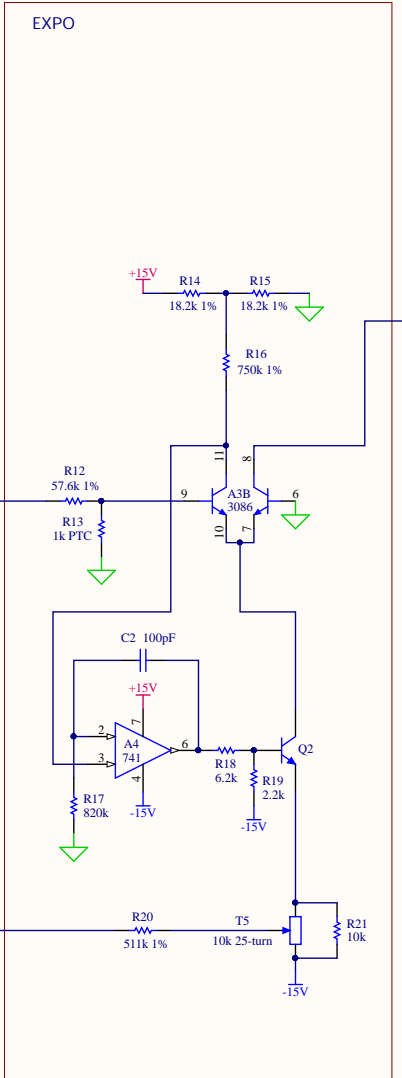
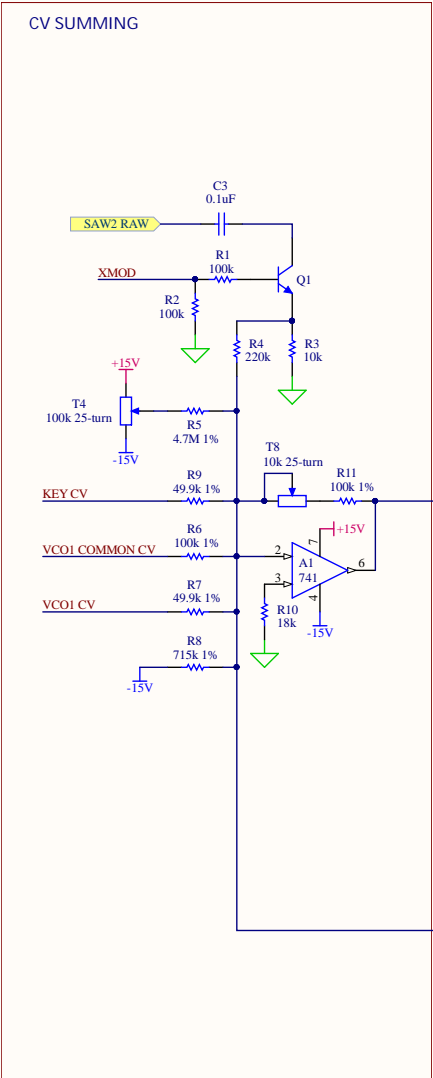
Date: 8/4/2023  
File: Voice Mbo Sheet5.SchDoc

Part Number: 00244-01  
Project: VS-1 Voice Mbo, PrjPcb  
Author: BC  
Sheet 5 of 5 Rev: A

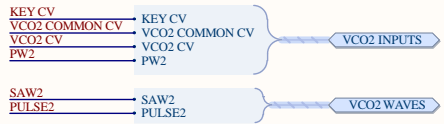
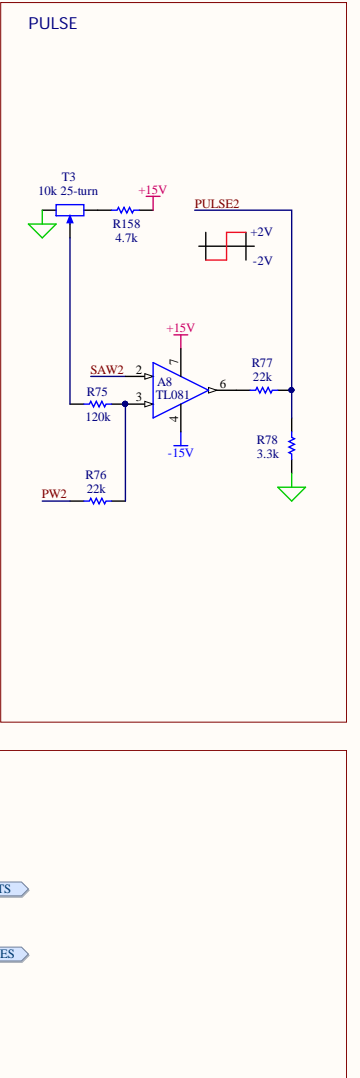
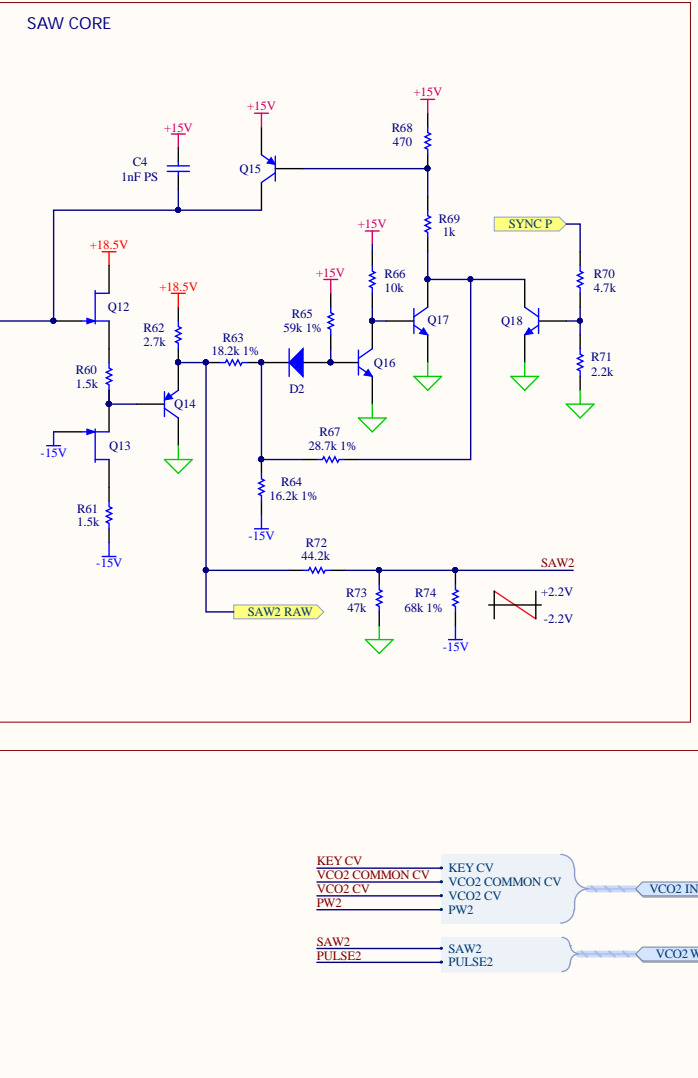
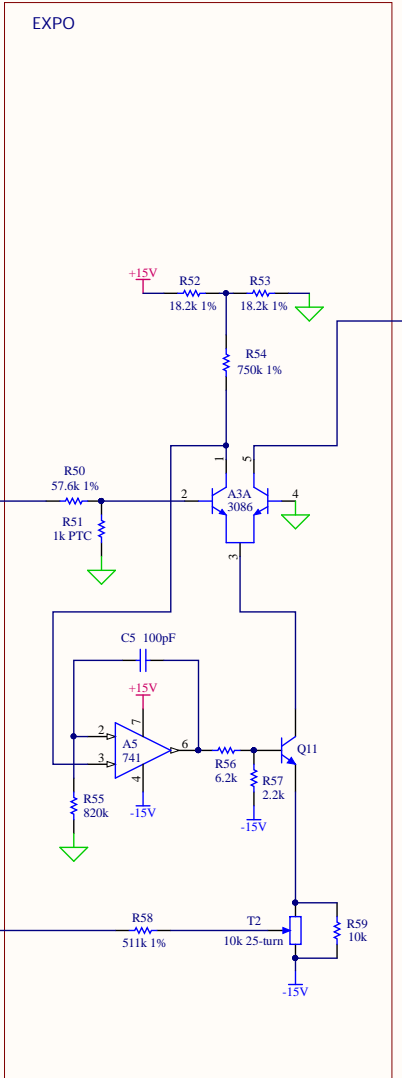
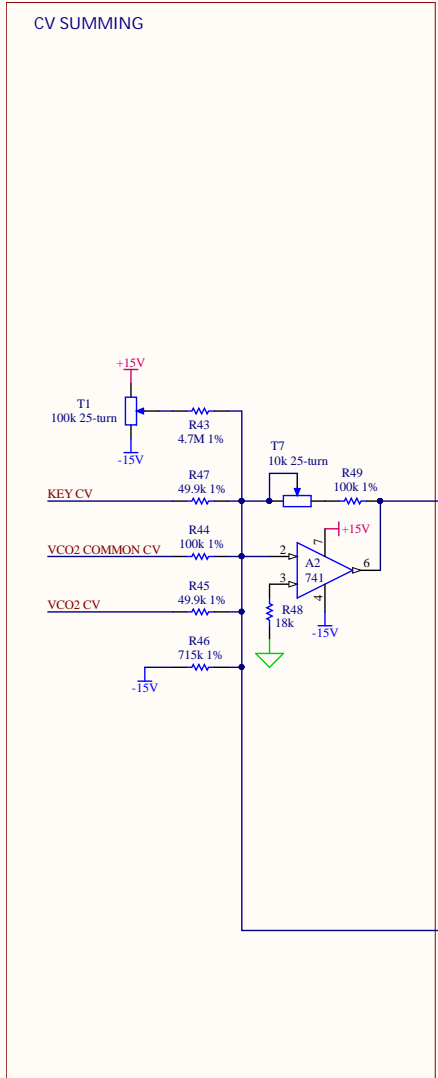
**Abstrakt Instruments**  
Vintage Sound. Modern Design.



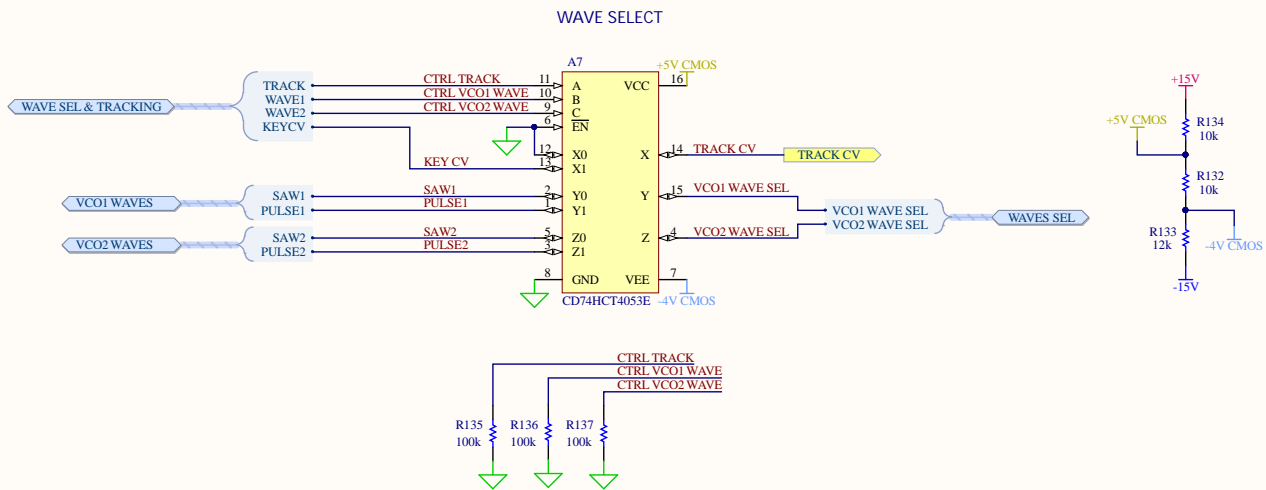




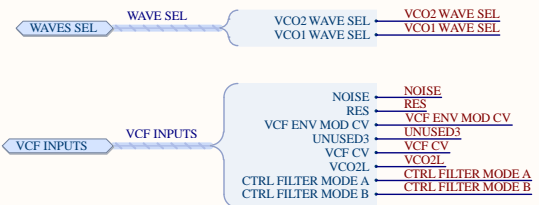
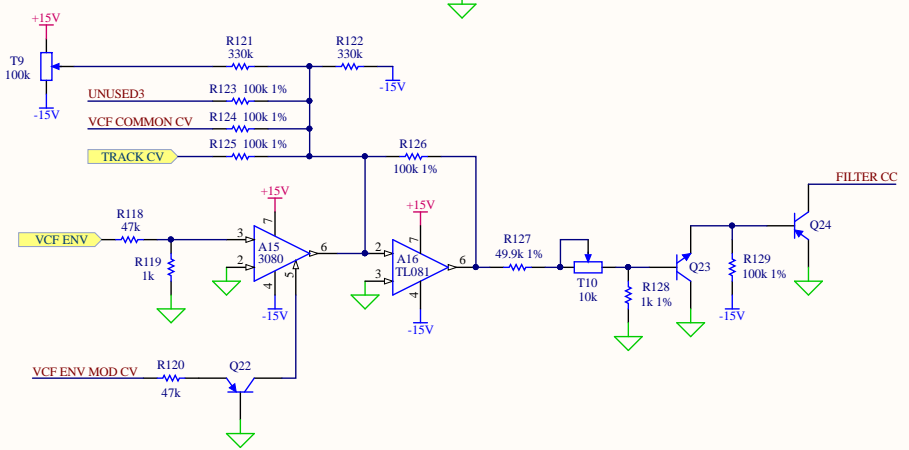
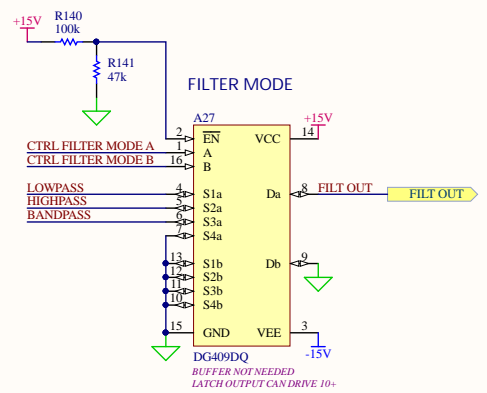
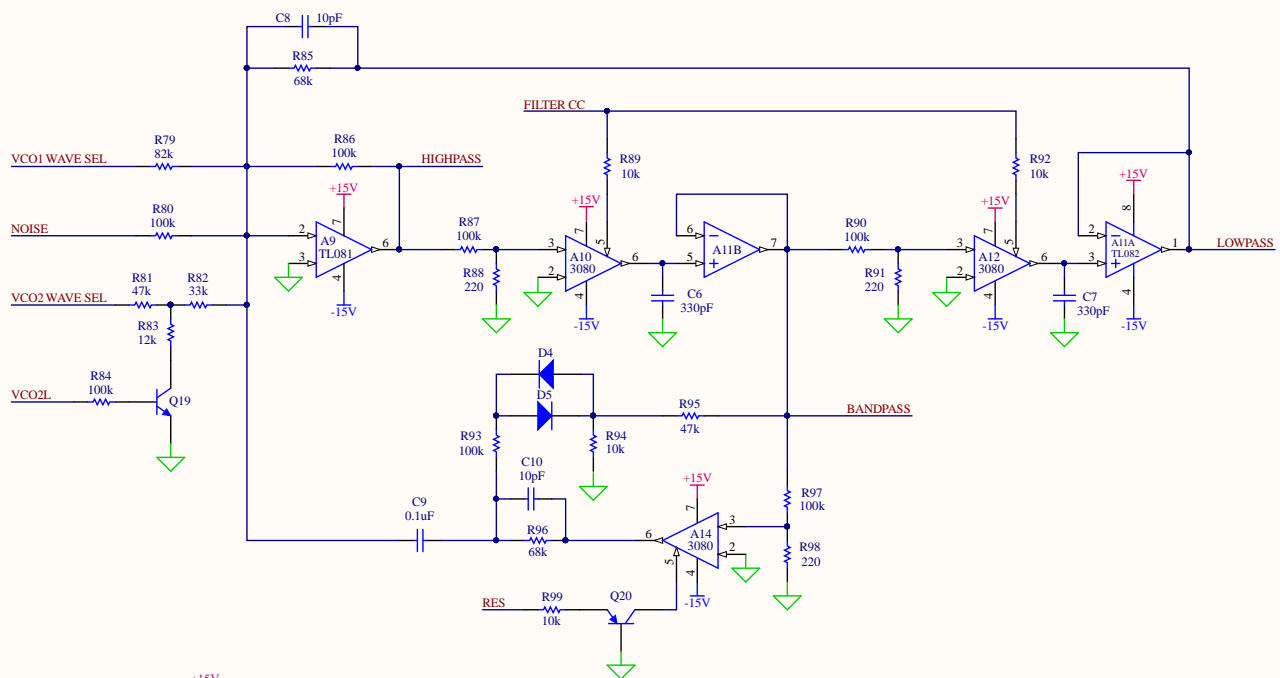
<b>VCO 1</b>	Part Number: 00241-01	<b>Abstrakt Instruments</b> Vintage Sound. Modern Design.
Date: 8/4/2023	Project: VS-1 Voice Card.PrjPcb	
File: Voice Card Sheet2.SchDoc	Author: BC	
	Sheet 2 of 8 Rev: A	



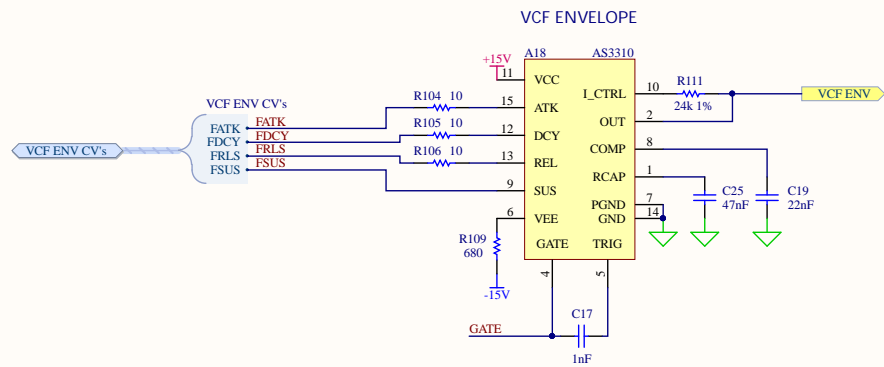
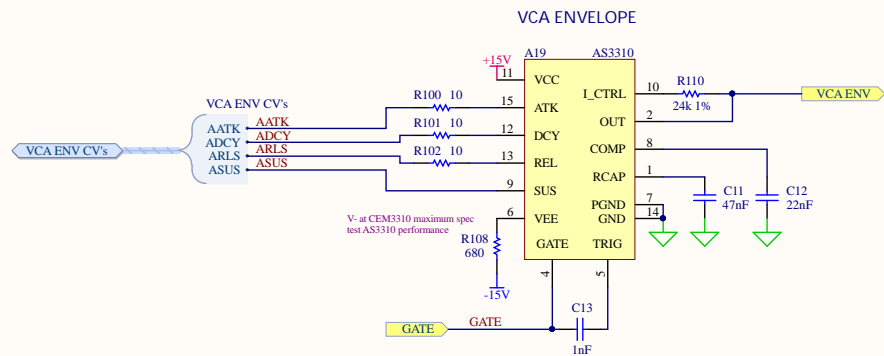
<b>VCO 2</b>	Part Number: 00241-01	<b>Abstrakt Instruments</b> Vintage Sound. Modern Design.
Date: 8/4/2023	Project: VS-1 Voice Card.PrjPcb	
File: Voice Card Sheet3.SchDoc	Author: BC	
	Sheet 3 of 8 Rev: A	



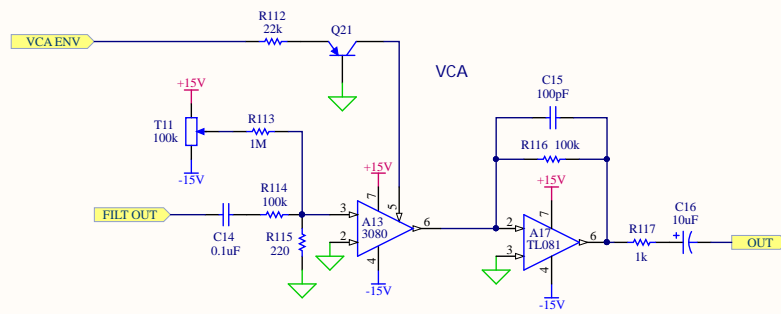
<b>WAVE SELECT</b>	Part Number: 00241-01	<b>Abstrakt Instruments</b> Vintage Sound. Modern Design.
Date: 8/4/2023	Project: VS-1 Voice Card.PrjPcb	
File: Voice Card Sheet4.SchDoc	Author: BC	Sheet 4 of 8
	Rev: A	



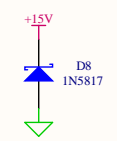
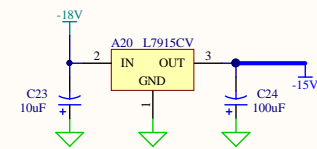
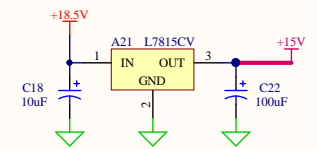
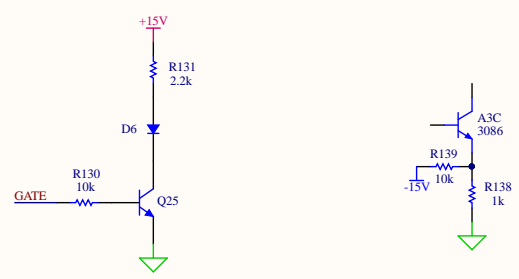
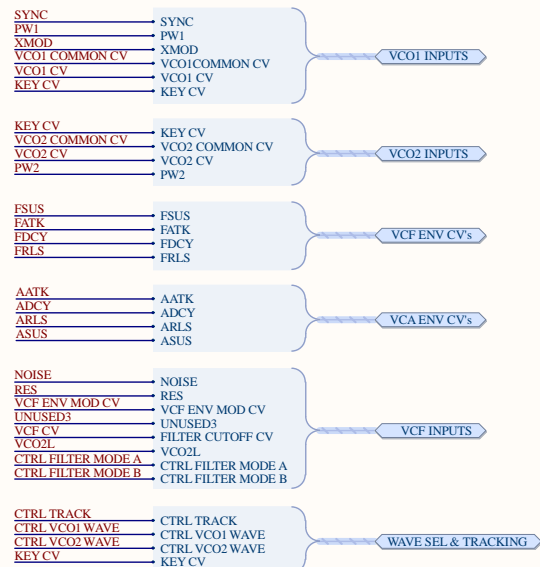
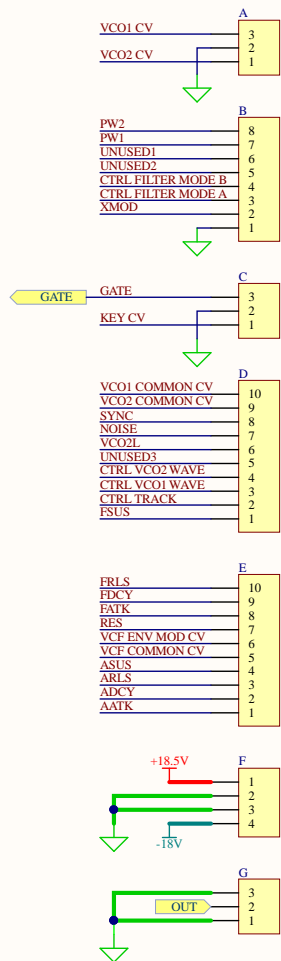
<b>FILTER</b>	Part Number: 00241-01	<b>Abstrakt Instruments</b> Vintage Sound. Modern Design.
Date: 8/4/2023	Project: VS-1 Voice Card.PrjPcb	
File: Voice Card Sheet5.SchDoc	Author: BC	
	Sheet: 5 of 8 Rev: A	



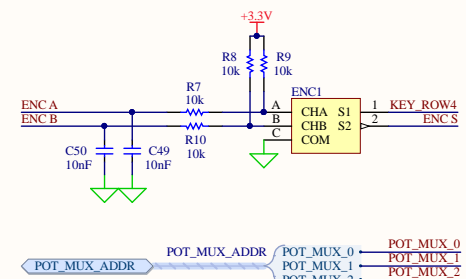
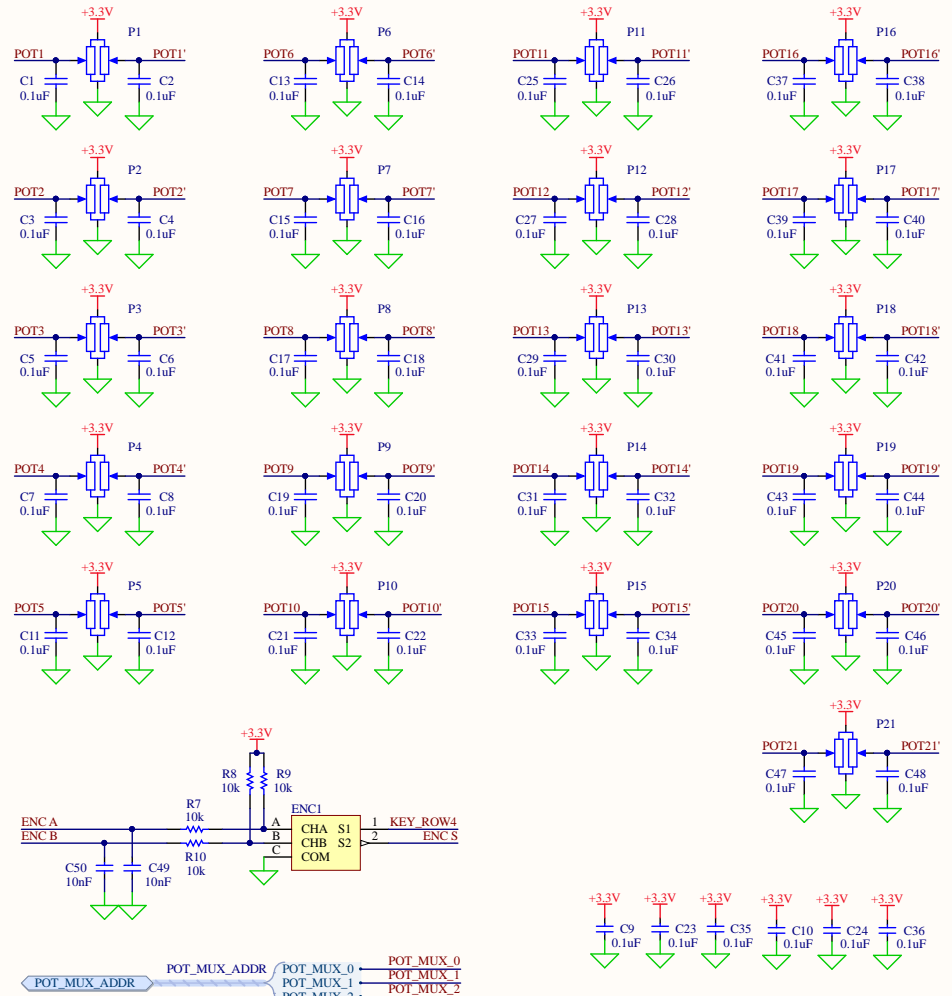
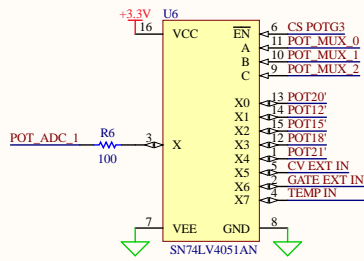
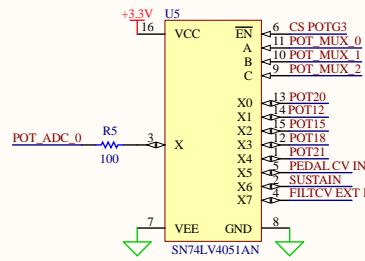
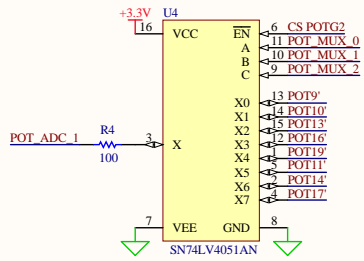
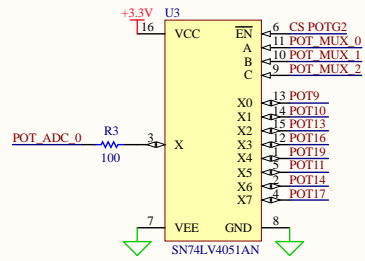
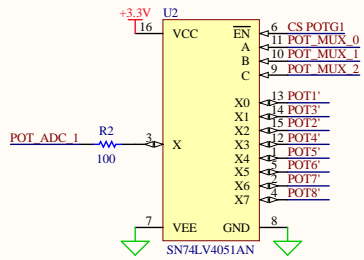
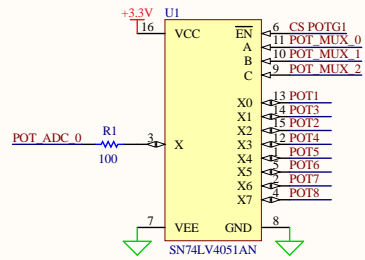
<b>ADSR's</b>	Part Number: 00241-01	<b>Abstrakt Instruments</b> <small>Vintage Sound. Modern Design.</small>
Date: 8/4/2023	Project: VS-1 Voice Card.PrjPcb	
File: Voice Card Sheet6.SchDoc	Author: BC	Sheet 6 of 8 Rev: A



<b>VCA</b>	Part Number: 00241-01	<b>Abstrakt Instruments</b> <small>Vintage Sound. Modern Design.</small>
Date: 8/4/2023	Project: VS-1 Voice Card_PrfPcb	
File: Voice Card Sheet7.SchDoc	Author: BC	Sheet 7 of 8 Rev: A



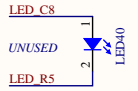
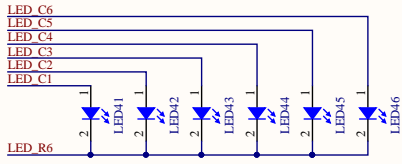
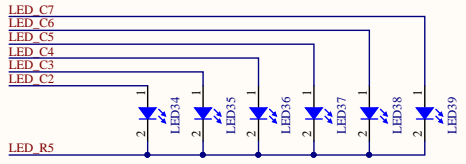
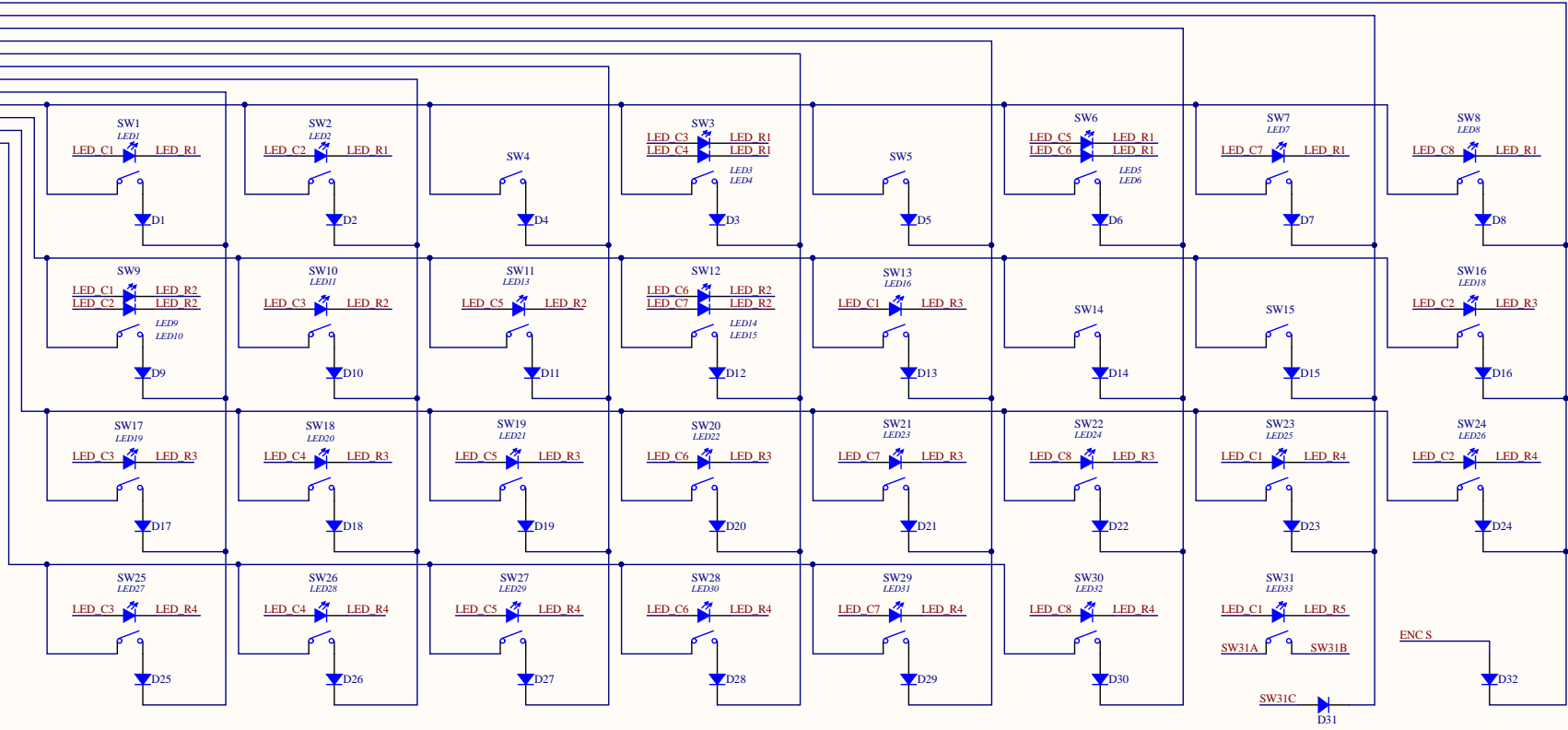
POWER & CONN's		Part Number: 00241-01	
Date: 8/4/2023	Project: VS-1 Voice Card.PrjPcb	Author: BC	<b>Abstrakt Instruments</b> <small>Vintage Sound. Modern Design.</small>
File: Voice Card Sheet6.SchDoc	Sheet 8 of 8	Rev: A	



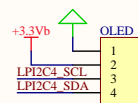
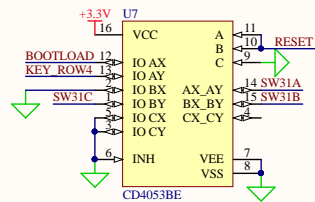
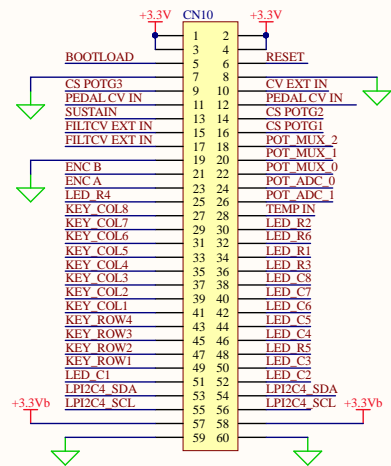
<b>POTENTIOMETERS</b>	Part Number: 00245-01	<b>Abstrakt Instruments</b> Vintage Sound. Modern Design.
Date: 8/4/2023	Project: VS-1 PanelBoard.PrjPcb	
File: PanelBoard Sheet1.Sch.Doc	Author: BC	
	Sheet 1 of 3 Rev: A	



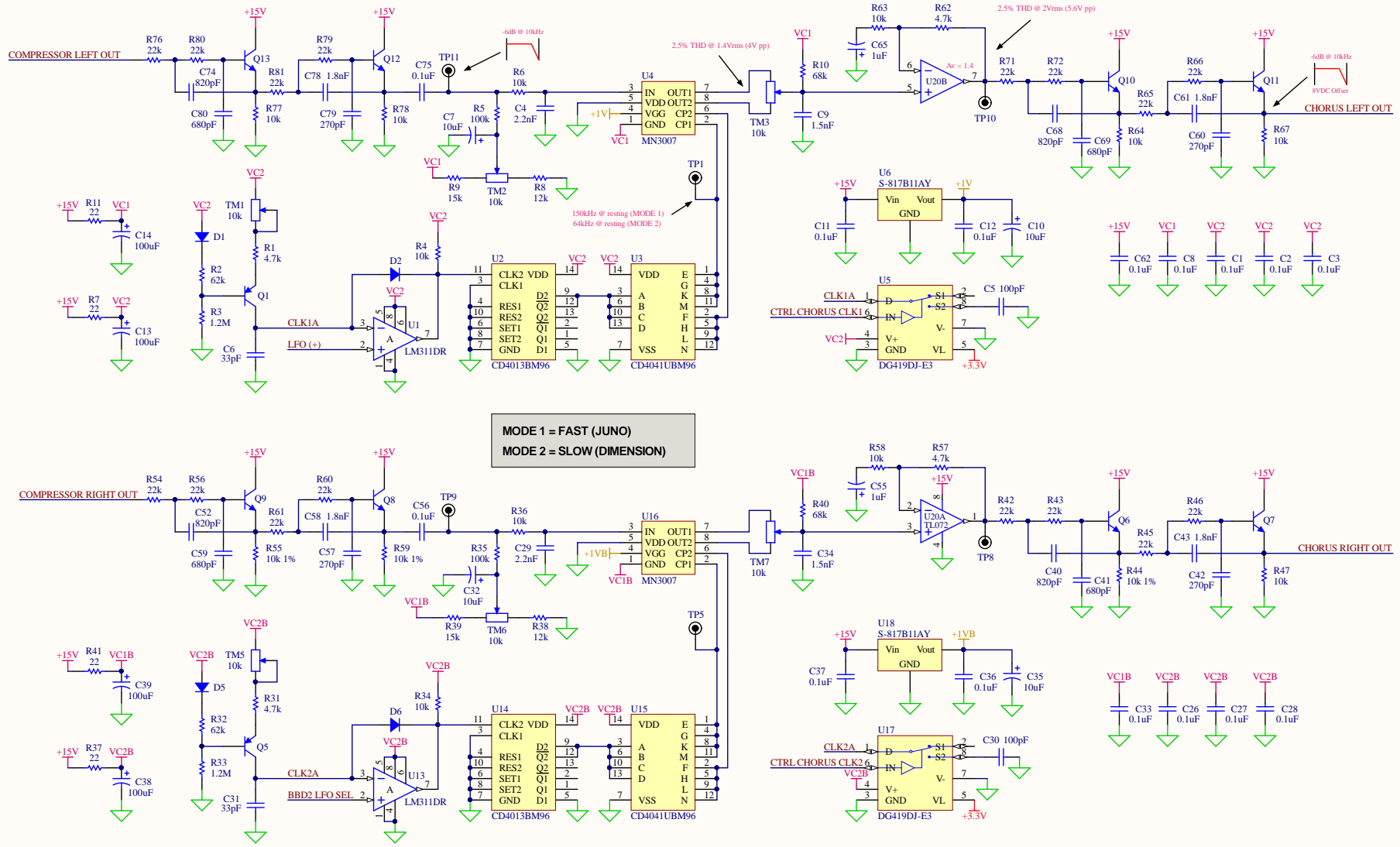
KEY COL8  
 KEY COL7  
 KEY COL6  
 KEY COL5  
 KEY COL4  
 KEY COL3  
 KEY COL2  
 KEY COL1  
 KEY ROW1  
 KEY ROW2  
 KEY ROW3  
 KEY ROW4



<b>SWITCHES &amp; LED's</b>		Part Number: 00245-01	<b>Abstrakt Instruments</b> Vintage Sound, Modern Design.
Date: 8/4/2023		Project: VS-1 PanelBoard.PrjPcb	
File: PanelBoard Sheet2.SchDoc		Author: BC	Rev: A
		Sheet 2 of 3	

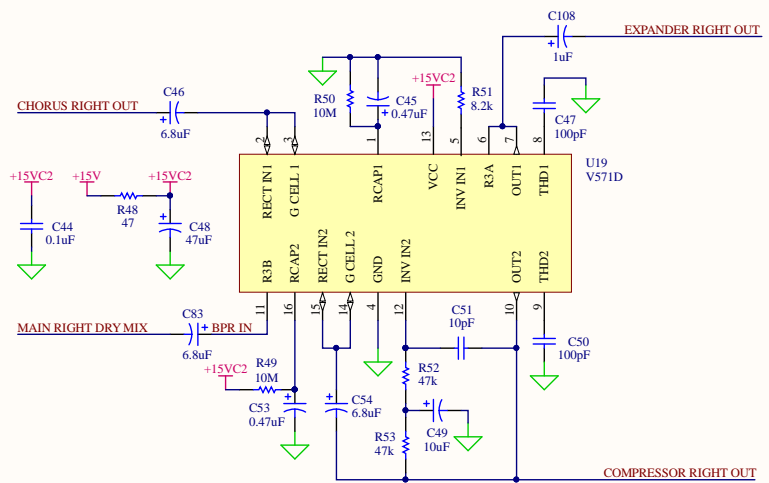
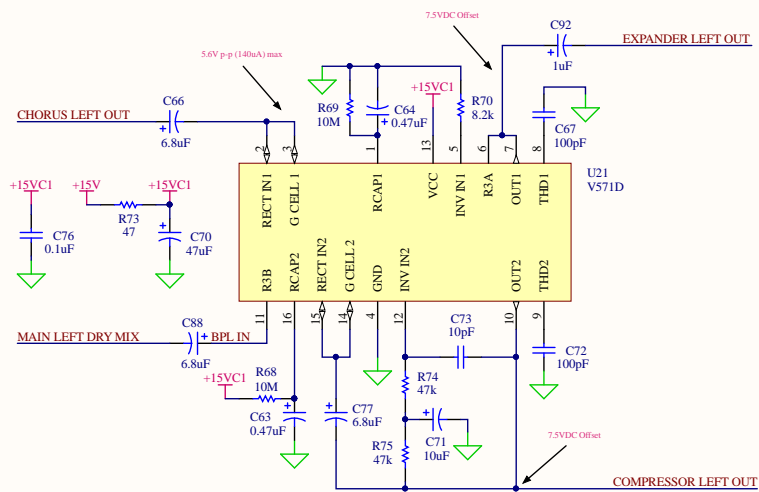


<b>CONNECTORS</b>	Part Number: 00245-01	<b>Abstrakt Instruments</b> Vintage Sound. Modern Design.
	Project: VS-1 PanelBoard_PriPcb	
Date: 8/4/2023	Author: BC	
File: PanelBoard Sheet3.Sch.Doc	Sheet 3 of 3	Rev: A



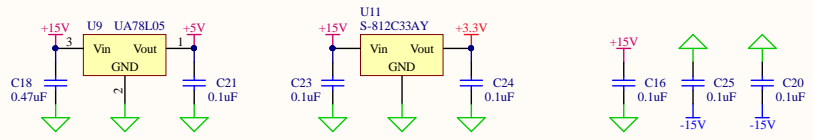
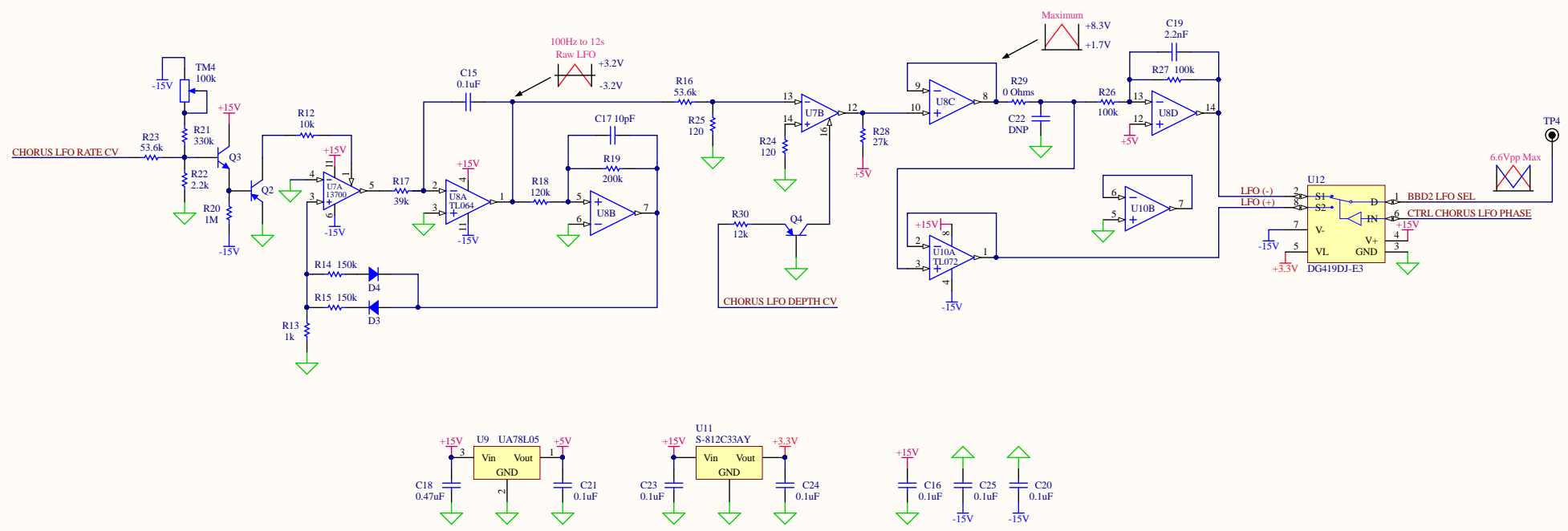
MODE 1 = FAST (JUNO)  
MODE 2 = SLOW (DIMENSION)

<b>CHORUS</b>	Part Number: 00242-01	<b>Abstrakt Instruments</b> Vintage Sound. Modern Design.
Date: 8/4/2023	Project: VS-1 Output Board.PjPcb	
File: Output Board Sheet1.SchDoc	Author: BC	
	Sheet 1 of 6 Rev: A	

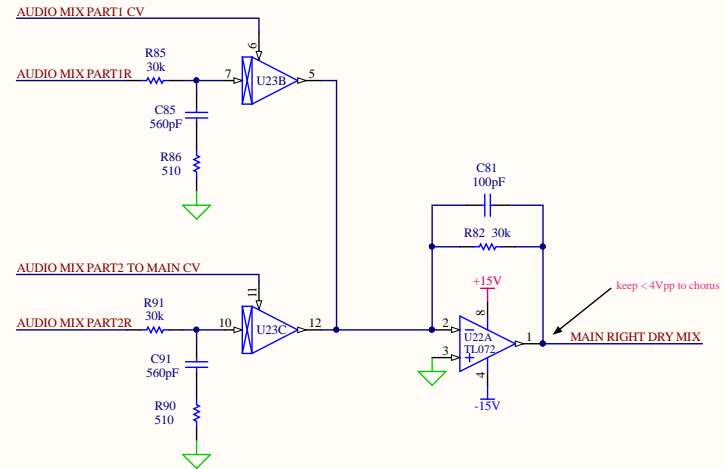
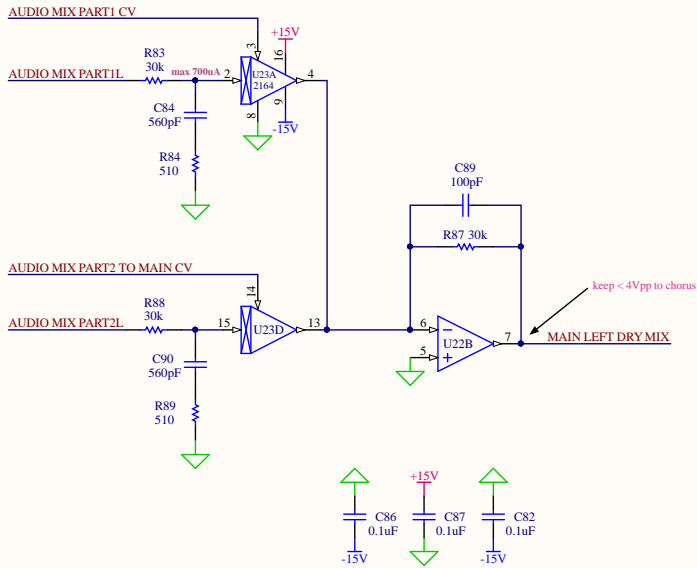


<b>COMPANDERS</b>	Part Number: 00242-01	<b>Abstrakt Instruments</b> <small>Vintage Sound. Modern Design.</small>
Date: 8/4/2023	Project: VS-1 Output Board.PyPcb	
File: Output Board Sheet2.SchDoc	Author: BC	Sheet 2 of 6
	Rev: A	

CHORUS VCLFO

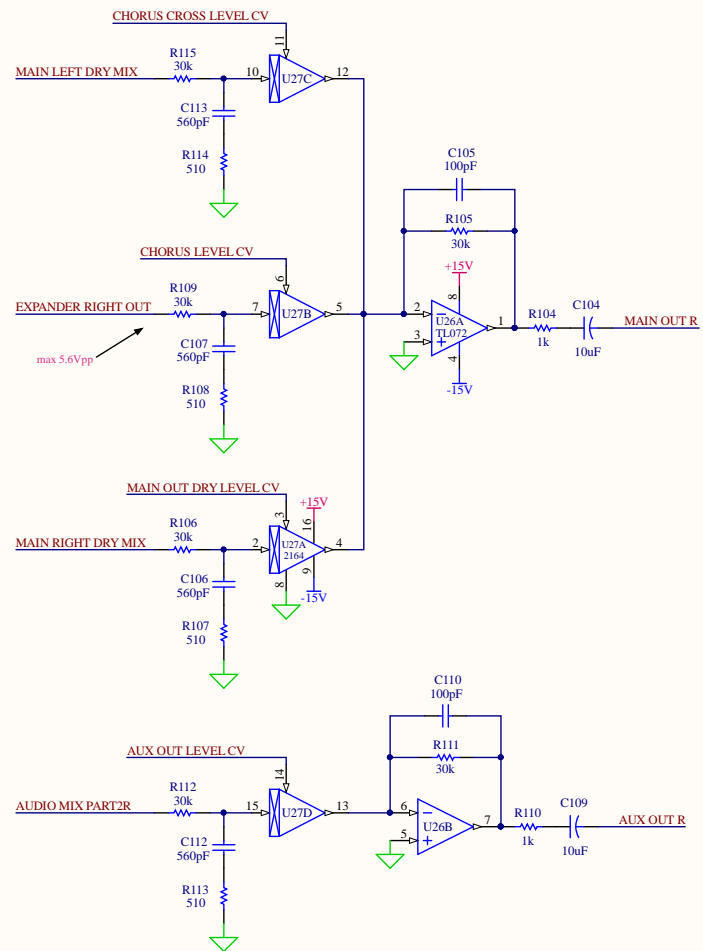
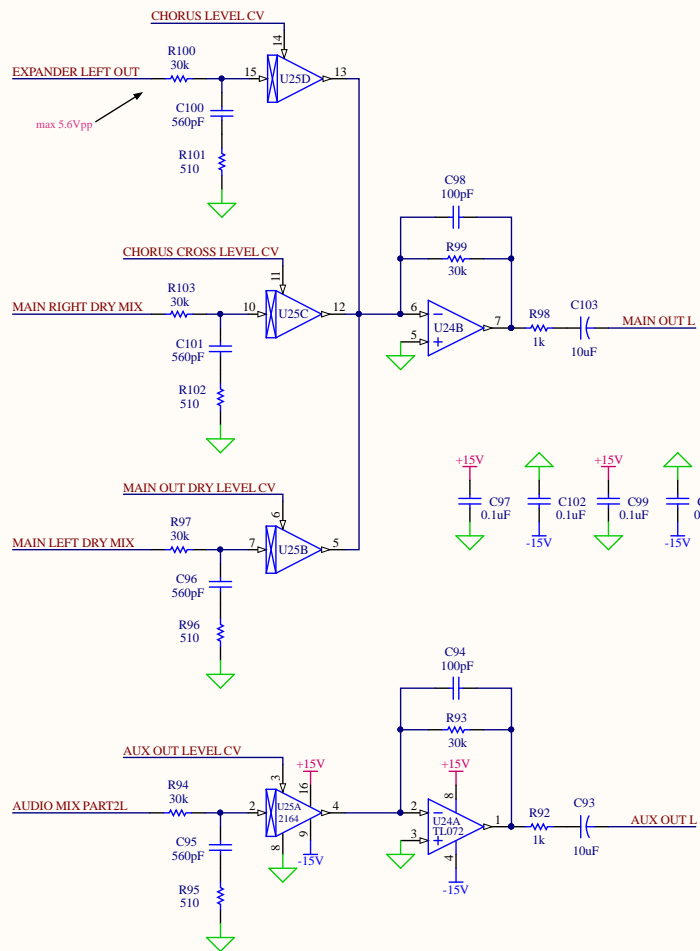


<b>CHORUS VCLFO</b>	Part Number: 00242-01	<b>Abstrakt Instruments</b> Vintage Sound. Modern Design.
Date: 8/4/2023	Project: VS-1 Output Board.PyPcb	
File: Output Board Sheet3.SchDoc	Author: BC	Sheet: 3 of 6
	Rev: A	



<b>AUDIO GROUP SELECT</b>		Part Number: 00242-01
Date: 8/4/2023	Project: VS-1 Output Board.PyPcb	Author: BC
File: Output Board Sheet4.SchDoc	Sheet 4 of 6	Rev: A

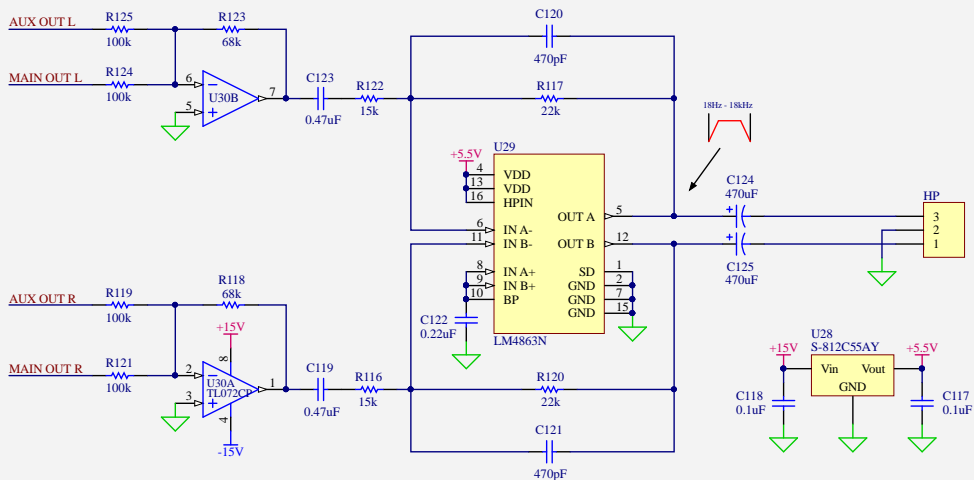




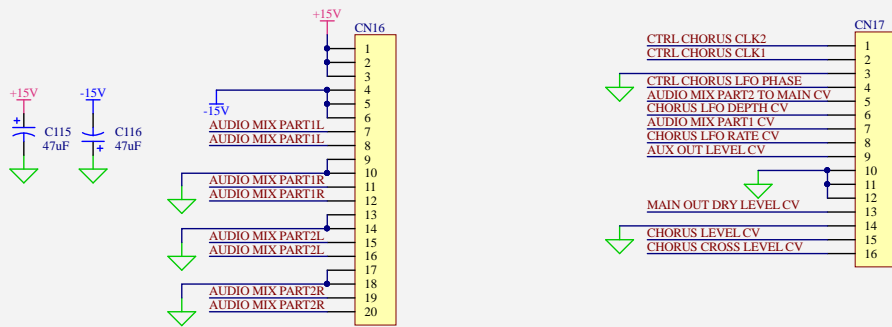
<b>FINAL OUTPUT SUM</b>		Part Number: 00242-01
Date: 8/4/2023	Project: VS-1 Output Board.PyPcb	Author: BC
File: Output Board Sheet5.SchDoc	Sheet 5 of 6	Rev: A



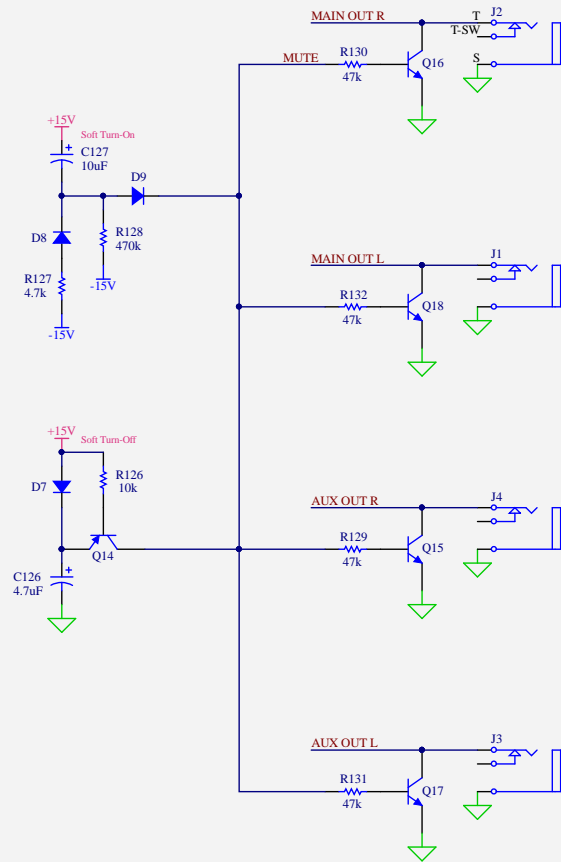
### HEADPHONE AMP



### CHORUS CONNECTORS



### MUTE & OUTPUT JACKS



HEADPHONE AMP & I/O

Date: 8/4/2023

File: Output Board Sheet6.SchDoc

Part Number: 00242-01

Project: VS-1 Output Board.PyPcb

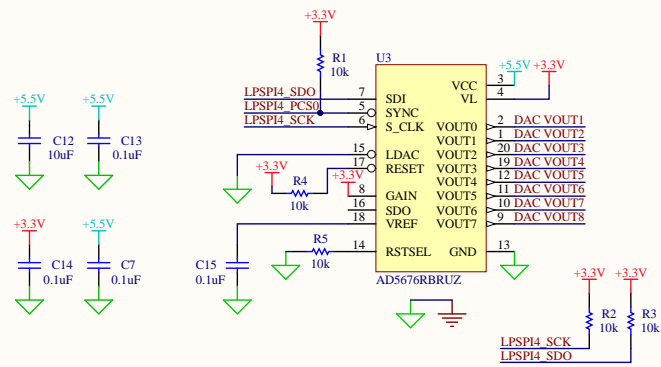
Author: BC

Sheet 6 of 6

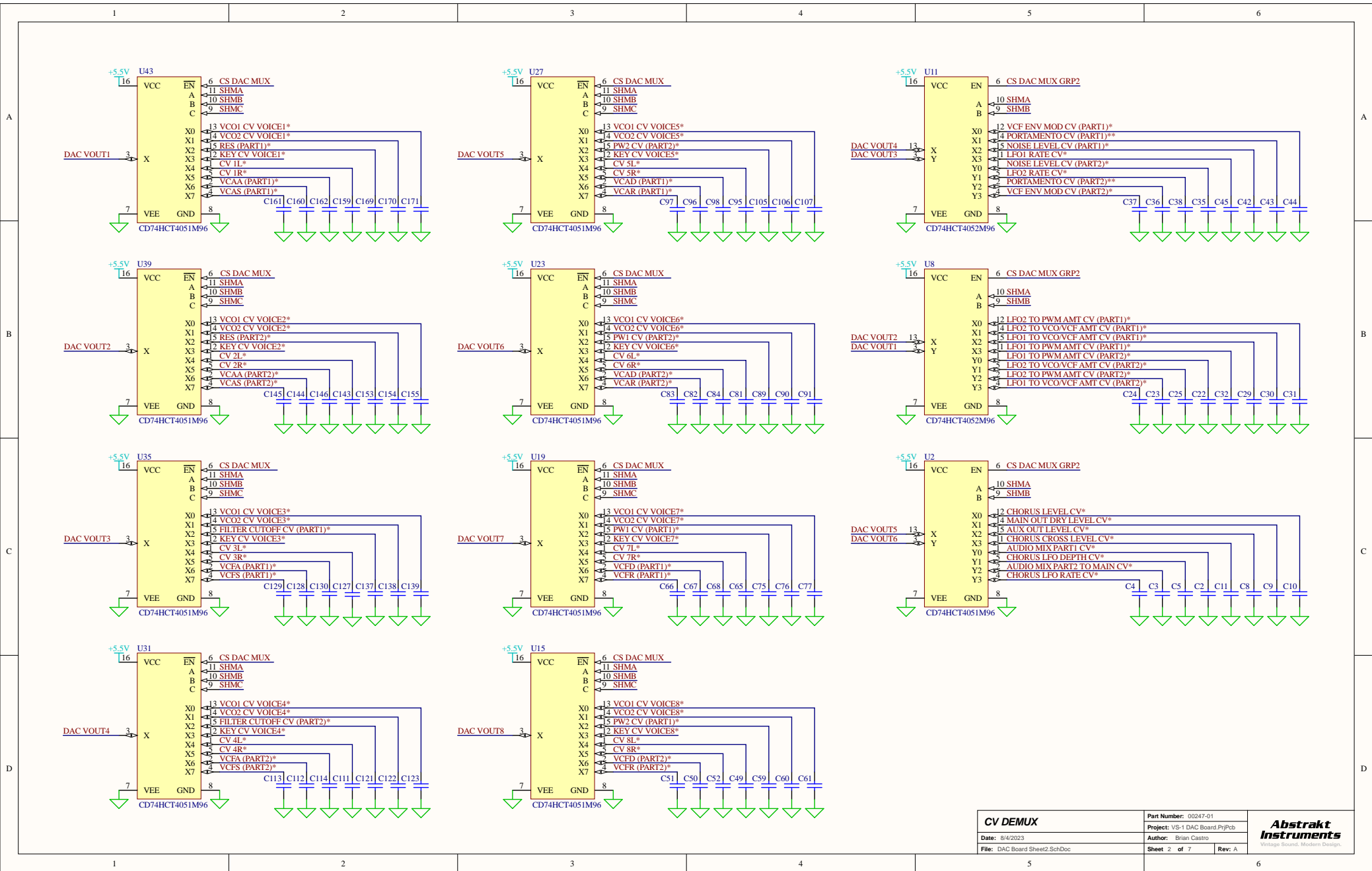
Rev: A

**Abstrakt  
Instruments**  
Vintage Sound. Modern Design.

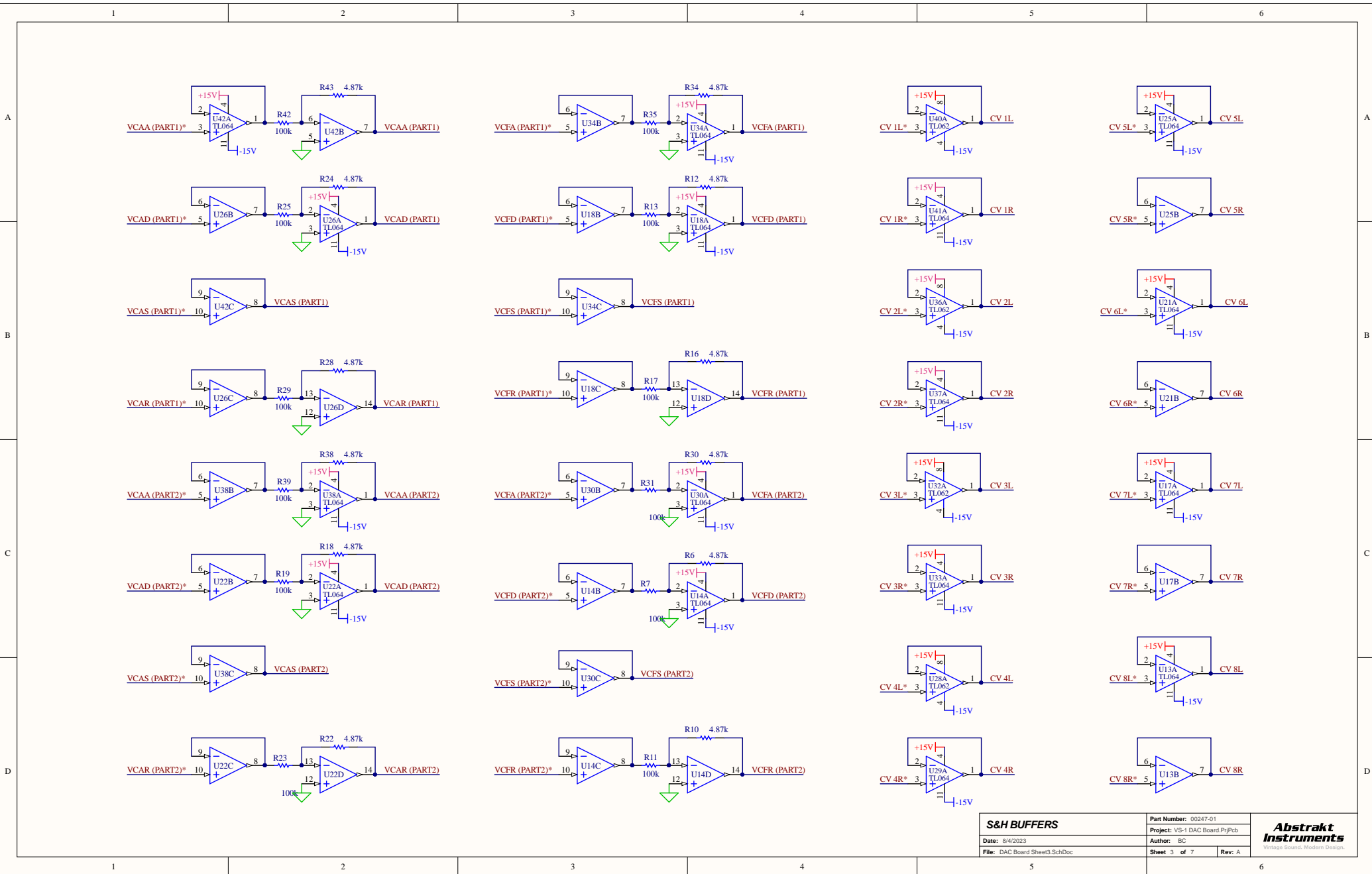




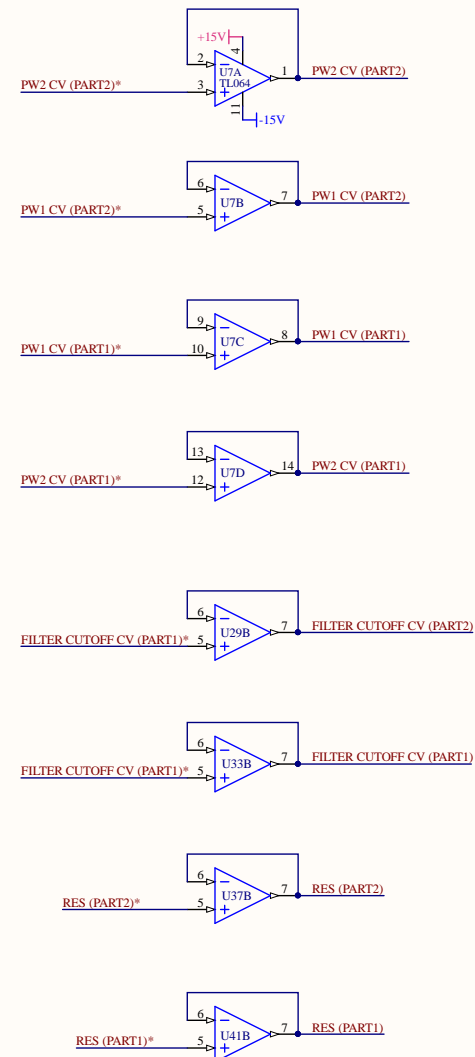
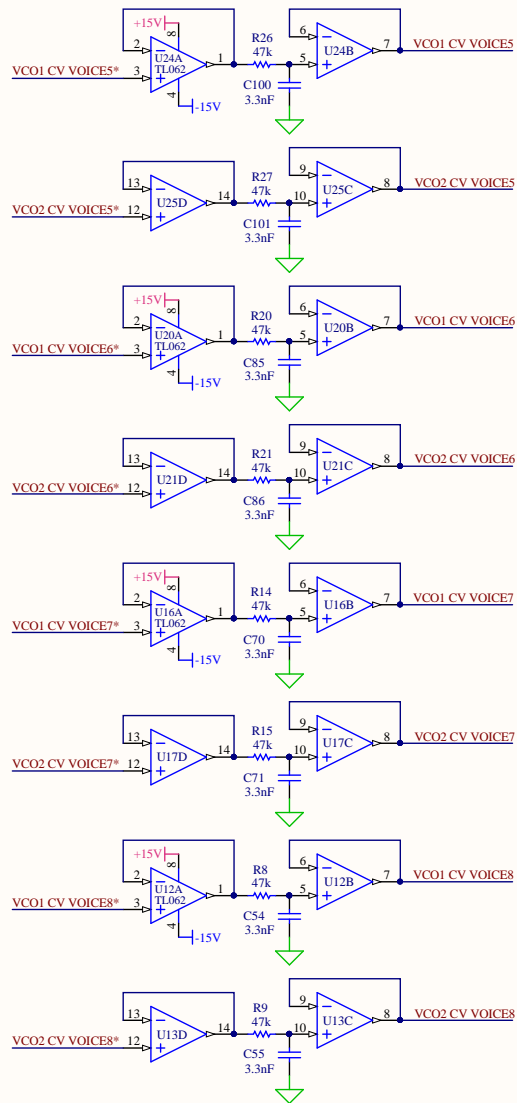
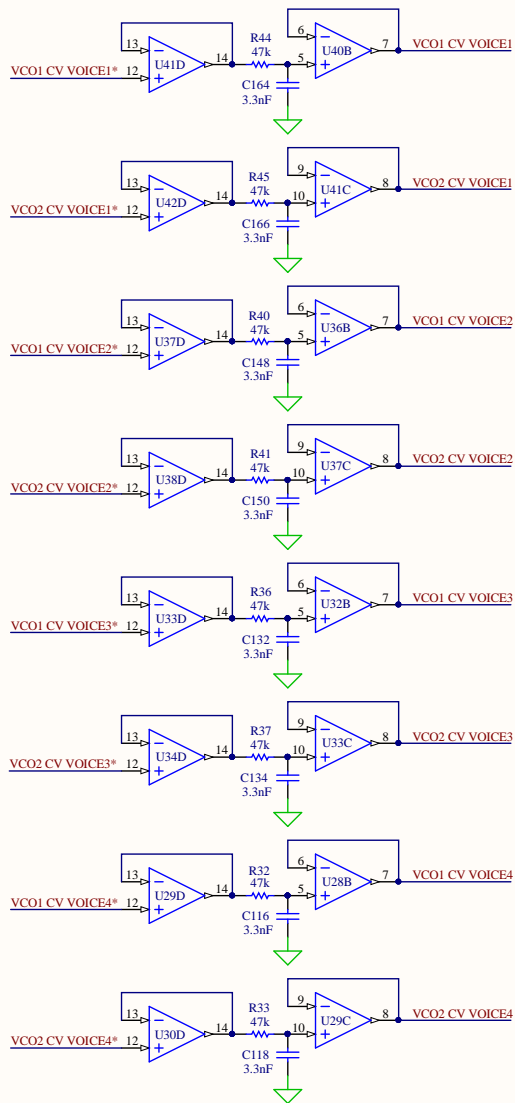
<b>DAC</b>	Part Number: 00247-01	<b>Abstrakt Instruments</b> <small>Vintage Sound. Modern Design.</small>
Date: 8/4/2023	Project: VS-1 DAC Board.PriPcb	
File: DAC Board Sheet1.SchDoc	Author: BC Sheet 1 of 7 Rev: A	



<b>CV DEMUX</b>		Part Number: 00247-01	<b>Abstrakt Instruments</b> <small>Vintage Sound, Modern Design.</small>
Date: 8/4/2023	Project: VS-1 DAC Board.PnPb	Author: Brian Castro	
File: DAC Board Sheet2.SchDoc	Sheet 2 of 7	Rev: A	



<b>S&amp;H BUFFERS</b>		Part Number: 00247-01	<b>Abstrakt Instruments</b> <small>Vintage Sound. Modern Design.</small>
Date: 8/4/2023		Project: VS-1 DAC Board.PriPcb	
File: DAC Board Sheet3.SchDoc		Author: BC	
		Sheet 3 of 7	Rev: A



<b>S&amp;H BUFFERS</b>		Part Number: 00247-01	<b>Abstrakt Instruments</b> <small>Vintage Sound. Modern Design.</small>
Date: 8/4/2023		Project: VS-1 DAC Board.PnPb	
File: DAC Board Sheet4.SchDoc		Author: BC	
		Sheet 4 of 7 Rev: A	

1 2 3 4 5 6



<b>S&amp;H BUFFERS</b>		Part Number: 00247-01
Date: 8/4/2023	Project: VS-1 DAC Board.PnPb	Author: BC
File: DAC Board Sheet5.SchDoc	Sheet: 5 of 7	Rev: A



1 2 3 4 5 6

**TO MAINBOARD**

CN5	
ANALOG LFO TO VCO2 CV (PART1)	1
ANALOG LFO TO VCO1 CV (PART1)	2
GATE8	3
KEY CV VOICES	4
GATE7	5
KEY CV VOICE7	6
GATE6	7
KEY CV VOICE6	8
GATE5	9
KEY CV VOICES	10
GATE4	11
KEY CV VOICE4	12
GATE3	13
KEY CV VOICE3	14
GATE2	15
KEY CV VOICE2	16
GATE1	17
KEY CV VOICE1	18
CTRL_XMOD (PART1)	19
CTRL_FILTER MODE B (PART1)	20
PW1 SUM (PART1)	21
CTRL_FILTER MODE A (PART1)	22
NOISE LEVEL CV (PART1)	23
PW2 SUM (PART1)	24
NOISE LEVEL CV (PART2)	25
CTRL_XMOD (PART2)	26
CTRL_FILTER MODE A (PART2)	27
CTRL_FILTER MODE B (PART2)	28
PW2 SUM (PART2)	29
PW1 SUM (PART2)	30

CN6	
PW1 CV (PART1)	1
PW2 CV (PART1)	2
PW1 CV (PART2)	3
PW2 CV (PART2)	4
	5
	6
	7
	8
FILTER CUTOFF CV (PART2)	9
FILTER CUTOFF CV (PART2)	10
VCF COMMON CV (PART2)	11
VCF COMMON CV (PART2)	12
ANALOG LFO TO VCO2 CV (PART2)	13
ANALOG LFO TO VCO2 CV (PART2)	14
CTRL_SYNC (PART2)	15
ANALOG LFO TO VCO1 CV (PART2)	16
CTRL_VCO2 LEVEL (PART2)	17
CTRL_VCO2 LEVEL (PART2)	18
CTRL_VCO2 WAVE (PART2)	19
CTRL_VCO1 WAVE (PART2)	20
CTRL_TRACK (PART2)	21
CTRL_TRACK (PART2)	22
VCF COMMON CV (PART1)	23
VCF COMMON CV (PART1)	24
CTRL_VCO1 WAVE (PART1)	25
CTRL_SYNC (PART1)	26
CTRL_VCO2 WAVE (PART1)	27
FILTER CUTOFF CV (PART1)	28
CTRL_TRACK (PART1)	29
CTRL_VCO2 LEVEL (PART1)	30

CN7	
+15V LFO1 TO VCO VCF AMT CV (PART1)	1
LFO2 TO VCO VCF AMT CV (PART1)	2
LFO2 TO PWM AMT CV (PART1)	3
LFO1 TO PWM AMT CV (PART1)	4
LFO1 TO PWM AMT CV (PART2)	5
LFO2 TO PWM AMT CV (PART2)	6
PORTAMENTO CV (PART1)*	7
LFO2 TO VCO VCF AMT CV (PART2)	8
PORTAMENTO CV (PART2)*	9
LFO1 TO VCO VCF AMT CV (PART2)	10
KEY CV VOICES*	11
KEY CV VOICES*	12
KEY CV VOICES*	13
KEY CV VOICES*	14
KEY CV VOICES*	15
KEY CV VOICES*	16
KEY CV VOICES*	17
KEY CV VOICES*	18
KEY CV VOICES*	19
KEY CV VOICES*	20
KEY CV VOICES*	21
KEY CV VOICES*	22
KEY CV VOICES*	23
KEY CV VOICES*	24
KEY CV VOICES*	25
KEY CV VOICES*	26
KEY CV VOICES*	27
KEY CV VOICES*	28
KEY CV VOICES*	29
KEY CV VOICES*	30

CN8	
CTRL_CHORUS LFO PHASE	1
CTRL_CHORUS LFO PHASE	2
CTRL_CHORUS CLK2	3
CTRL_CHORUS CLK1	4
LFO1 RATE CV	5
LFO1 RATE CV	6
LFO2 RATE CV	7
LFO2 RATE CV	8
NOISE (PART2)	9
NOISE (PART1)	10
NOISE (PART2)	11
NOISE (PART1)	12

CN9	
DAC1 SDI	1
DAC1 CLK	2
DAC1 SDI	3
DAC1 CS	4
CS_DAC_MUX_GRP2	5
	6
	7
	8
	9
	10
	11
	12

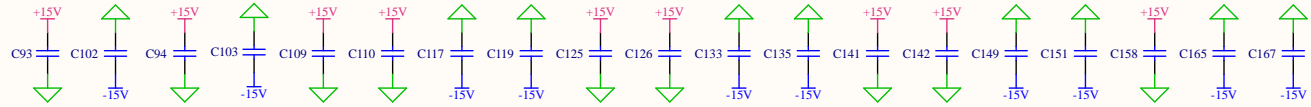
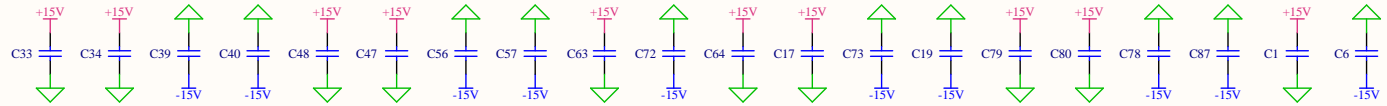
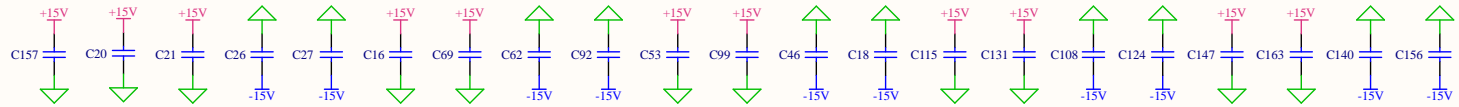
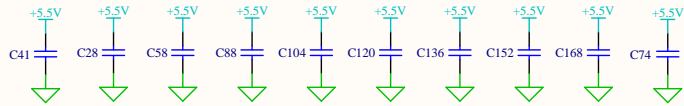
**TO VOICE MOBO**

CN1	
VCO1 CV VOICE1	1
VCO2 CV VOICE1	2
VCO1 CV VOICE2	3
VCO2 CV VOICE2	4
VCO1 CV VOICE3	5
VCO2 CV VOICE3	6
VCO1 CV VOICE4	7
VCO2 CV VOICE4	8
VCO1 CV VOICE5	9
VCO2 CV VOICE5	10
VCO1 CV VOICE6	11
VCO2 CV VOICE6	12
VCO1 CV VOICE7	13
VCO2 CV VOICE7	14
VCO1 CV VOICES	15
VCO2 CV VOICES	16
VCO1 CV VOICES	17
VCO2 CV VOICES	18
VCO1 CV VOICES	19
VCO2 CV VOICES	20
VCO1 CV VOICES	21
VCO2 CV VOICES	22
KEY CV VOICE1	23
KEY CV VOICE7	24
AUDIO MIX PART2 CV	25
VCO2 CV VOICE7	26
CTRL_CHORUS LFO PHASE	27
VCO1 CV VOICES	28
CTRL_CHORUS CLK1	29
VCO2 CV VOICES	30

CN2	
CHORUS LFO DEPTH CV	1
CTRL_CHORUS CLK2	2
CHORUS LFO RATE CV	3
AUDIO MIX PART2 TO MAIN CV	4
CV 2L	5
CV 1L	6
CV 1R	7
CV 2R	8
CV 4R	9
CV 3R	10
CV 4L	11
CV 3L	12
CV 6L	13
CV 5L	14
CV 5R	15
CV 6R	16
CV 8R	17
CV 7R	18
CV 8L	19
CV 7L	20
CV 7L	21
PW2 SUM (PART2)	22
PW1 SUM (PART2)	23
CTRL_FILTER MODE B (PART2)	24
CTRL_FILTER MODE A (PART2)	25
PW2 SUM (PART1)	26
CTRL_XMOD (PART2)	27
CTRL_FILTER MODE A (PART1)	28
PW1 SUM (PART1)	29
	30

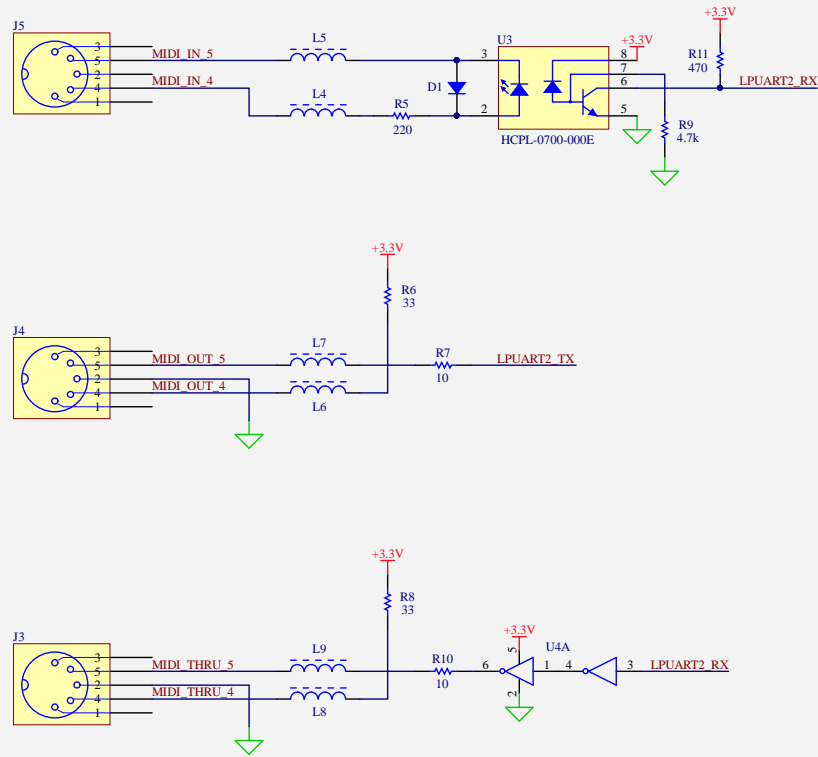
CN3	
CTRL_XMOD (PART1)	1
CTRL_FILTER MODE B (PART1)	2
KEY CV VOICE1	3
GATE1	4
KEY CV VOICE2	5
GATE2	6
KEY CV VOICE3	7
GATE3	8
KEY CV VOICE4	9
GATE4	10
KEY CV VOICES	11
GATE5	12
KEY CV VOICE6	13
GATE6	14
KEY CV VOICE7	15
GATE7	16
KEY CV VOICES	17
GATE8	18
ANALOG LFO TO VCO1 CV (PART1)	19
ANALOG LFO TO VCO2 CV (PART1)	20
NOISE (PART1)	21
CTRL_SYNC (PART1)	22
CTRL_VCO2 LEVEL (PART1)	23
CTRL_VCO2 WAVE (PART1)	24
CTRL_VCO1 WAVE (PART1)	25
CTRL_TRACK (PART1)	26
VCF8 (PART1)	27
VCFR (PART1)	28
VCFD (PART1)	29
VCF8 (PART1)	30

CN4	
RES (PART1)	1
VCF_ENV_MOD CV (PART1)	2
VCF_COMMON CV (PART1)	3
VCA8 (PART1)	4
VCA7 (PART1)	5
VCA6 (PART1)	6
VCA5 (PART1)	7
ANALOG LFO TO VCO1 CV (PART2)	8
ANALOG LFO TO VCO2 CV (PART2)	9
CTRL_SYNC (PART2)	10
NOISE (PART2)	11
CTRL_VCO2 LEVEL (PART2)	12
CTRL_VCO2 WAVE (PART2)	13
CTRL_VCO1 WAVE (PART2)	14
CTRL_TRACK (PART2)	15
VCF8 (PART2)	16
VCFR (PART2)	17
VCFD (PART2)	18
VCF8 (PART2)	19
RES (PART2)	20
VCF_ENV_MOD CV (PART2)	21
VCF_COMMON CV (PART2)	22
VCA8 (PART2)	23
VCA7 (PART2)	24
VCA6 (PART2)	25
VCA5 (PART2)	26
CHORUS LEVEL CV	27
CHORUS_CROSS_LEVEL CV	28
MAIN_OUT_DRY_LEVEL CV	29
AUX_OUT_LEVEL CV	30

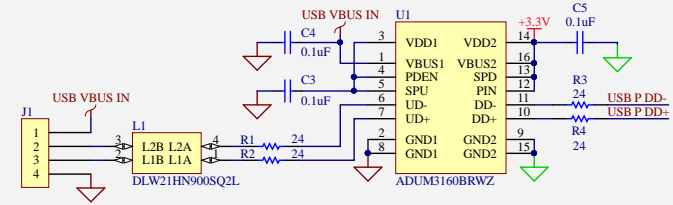


<b>BYPASS CAPS</b>		Part Number: 00247-01	<b>Abstrakt Instruments</b> <small>Vintage Sound. Modern Design.</small>
Date: 8/4/2023		Project: VS-1 DAC Board.PriPcb	
File: DAC Board Sheet7.SchDoc		Author: BC	
		Sheet 7 of 7	Rev: A

DIN MIDI

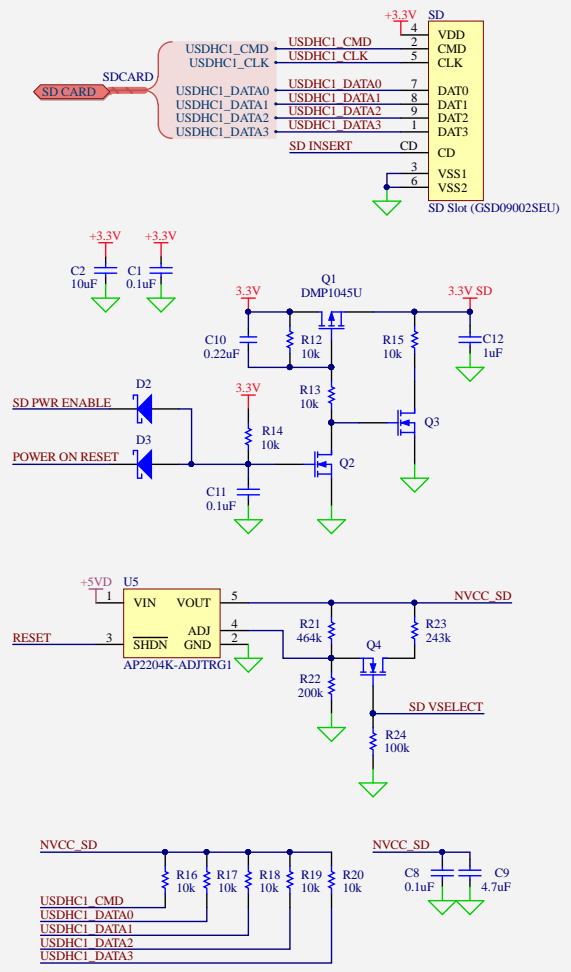


USB MIDI

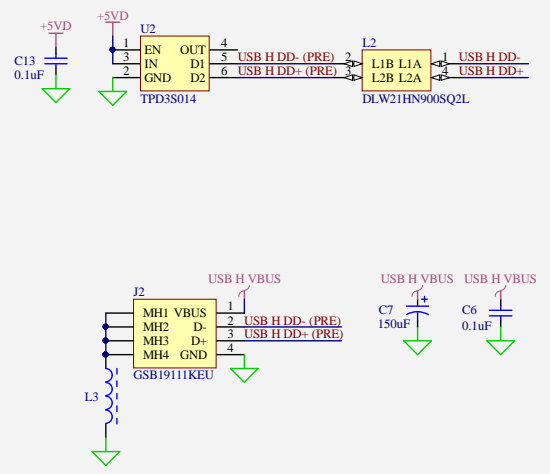




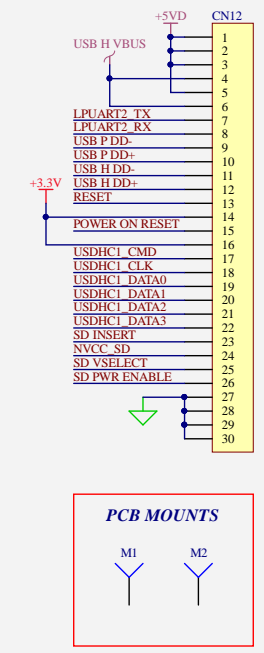
**SD CARD**



**USB HOST**



**CONNECTOR**



<b>SD, USB HOST, IO HEADER</b>		Part Number: 00248-01
Date: 8/22/2023		Project: VS-1 IO Board.PjPcb
File: IO Board Sheet2.SchDoc		Author: BC
		Sheet 2 of 2
		Rev: A

