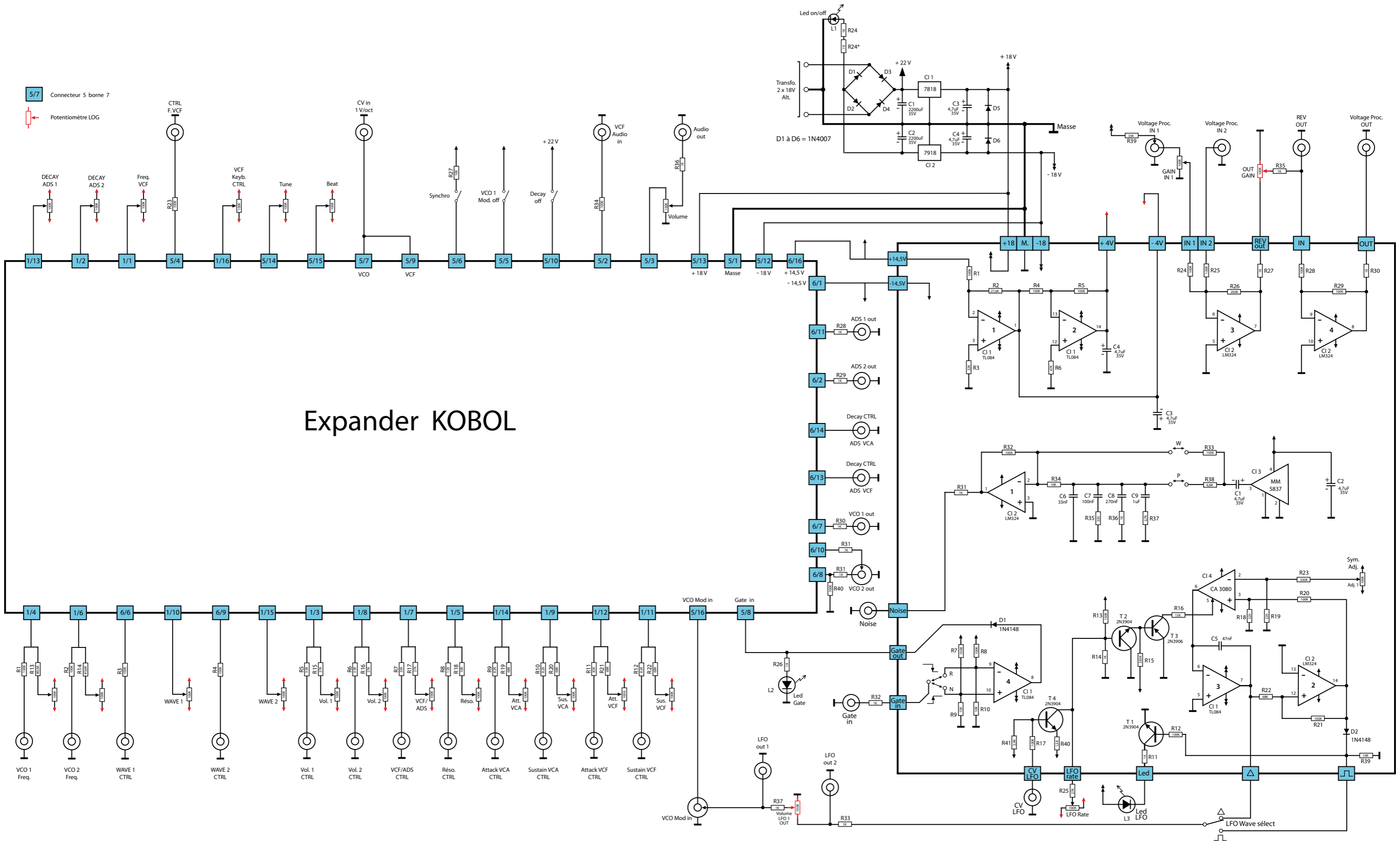


5/7 Connecteur 5 borne 7

Potentiomètre LOG

# Expander KOBOL



VCO 1 Freq.

VCO 2 Freq.

WAVE 1 CTRL

WAVE 2 CTRL

Vol. 1 CTRL

Vol. 2 CTRL

VCF/ADS CTRL

Réso. CTRL

Attack VCA CTRL

Sustain VCA CTRL

Attack VCF CTRL

Sustain VCF CTRL

VCO Mod in

LFO out 1

LFO out 2

CV LFO

LFO Rate

Led LFO

LFO Wave sélect

Transfo. 2 x 18V Alt.

D1 à D6 = 1N4007

Sym. Adj.

Adj. 1