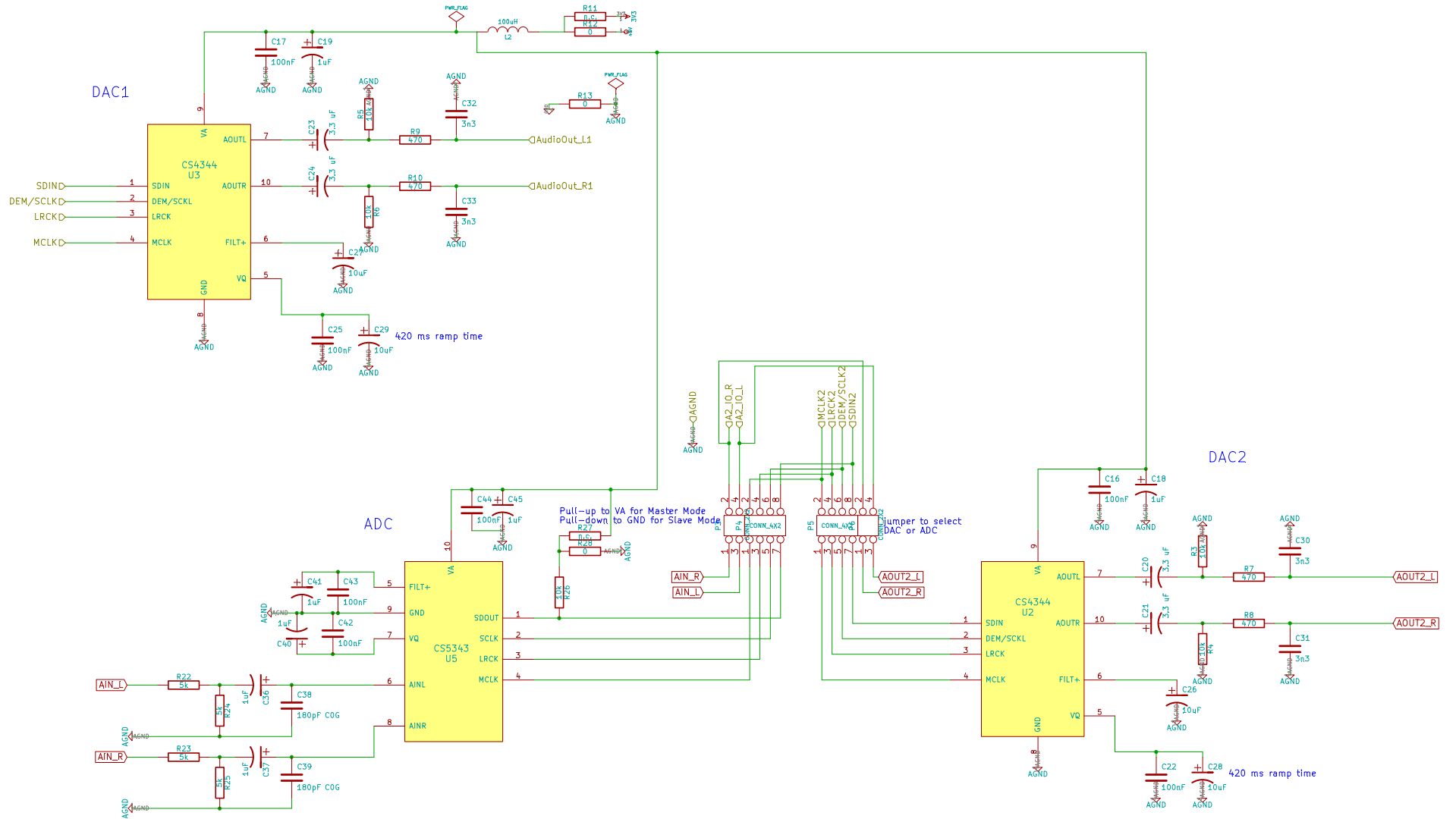
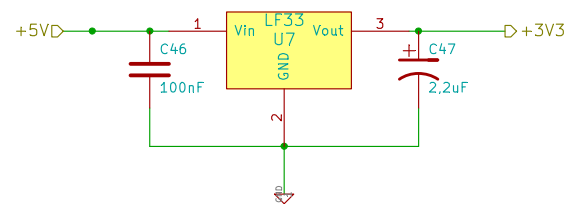


Sonic Potions  
Julian Schmidt 2013  
This work is licensed under a Creative Commons  
**Attribution-NonCommercial-ShareAlike 3.0 Unported License.**  
File: Stm32F4AudioMainboard.sch  
Sheet: /  
**Title: STM32F407 AudioMainboard - MCU**  
Size: A3 Date: 18 apr 2013 Rev: 0.2  
KICad E.D.A. eeschema (2012-01-19 BZR 3256)-stable Id: 1/3





Sonic Potions Julian Schmidt 2013 This work is licensed under a Creative Commons <b>Attribution-NonCommercial-ShareAlike 3.0 Unported License.</b>		
File: psu.sch Sheet: /PSU/		
<b>Title: STM32F407 AudioMainboard - MCU</b>		
Size: A4	Date: 18 apr 2013	<b>Rev: 0.2</b>
KiCad E.D.A. eeschema (2012-01-19 BZR 3256)-stable		Id: 3/3