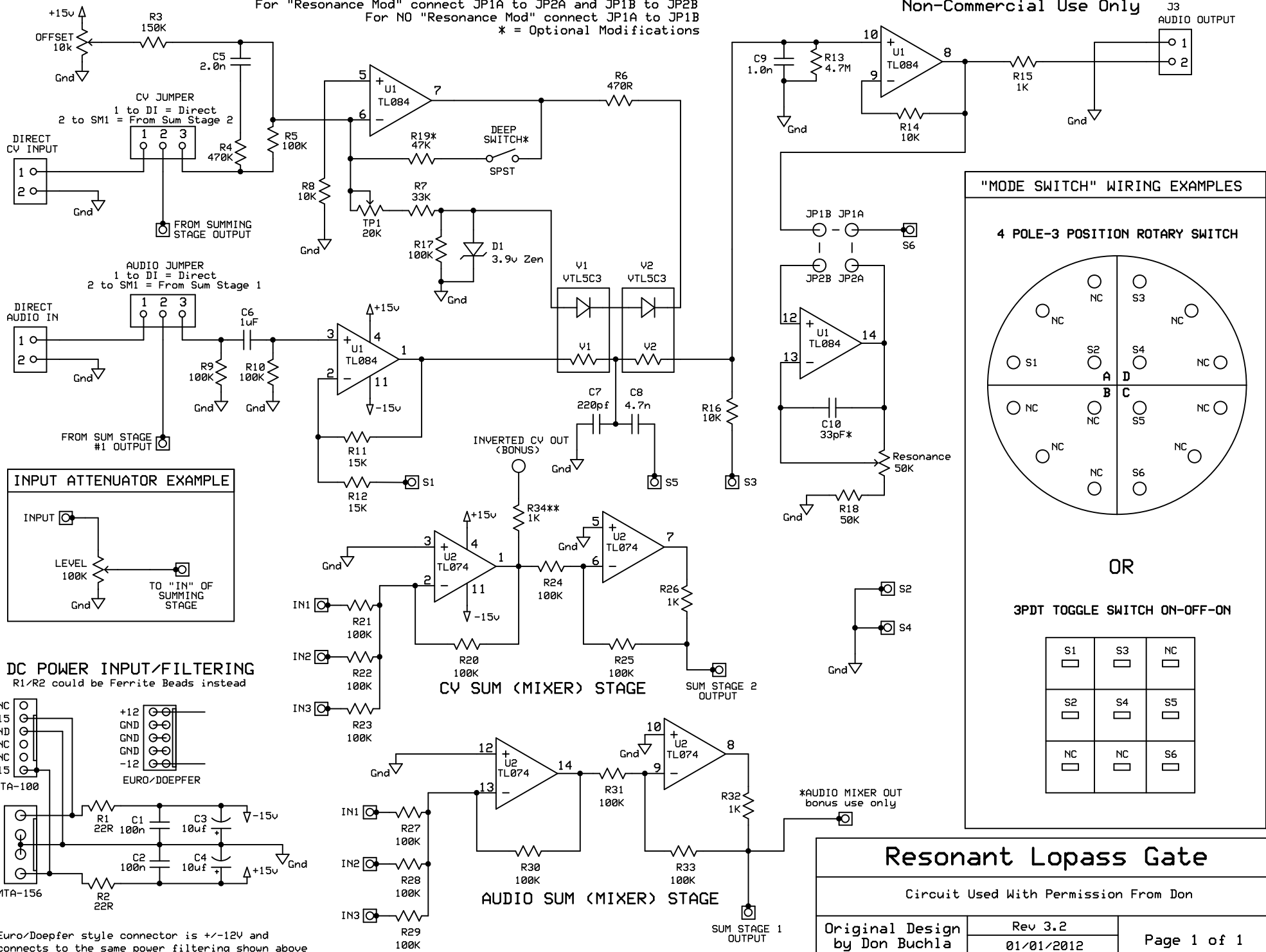


For "Resonance Mod" connect JP1A to JP2A and JP1B to JP2B  
 For NO "Resonance Mod" connect JP1A to JP1B  
 \* = Optional Modifications

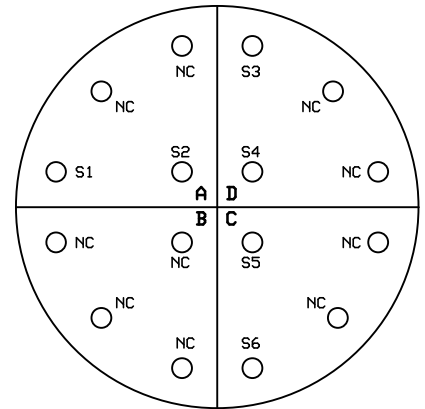
Non-Commercial Use Only

J3  
AUDIO OUTPUT



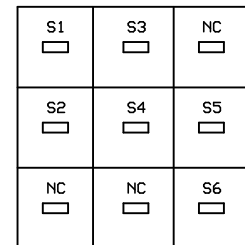
"MODE SWITCH" WIRING EXAMPLES

4 POLE-3 POSITION ROTARY SWITCH



OR

3PDT TOGGLE SWITCH ON-OFF-ON



Resonant Lopass Gate

Circuit Used With Permission From Don

Original Design by Don Buchla	Rev 3.2	Page 1 of 1
	01/01/2012	

Euro/Doeppfer style connector is +/-12V and connects to the same power filtering shown above