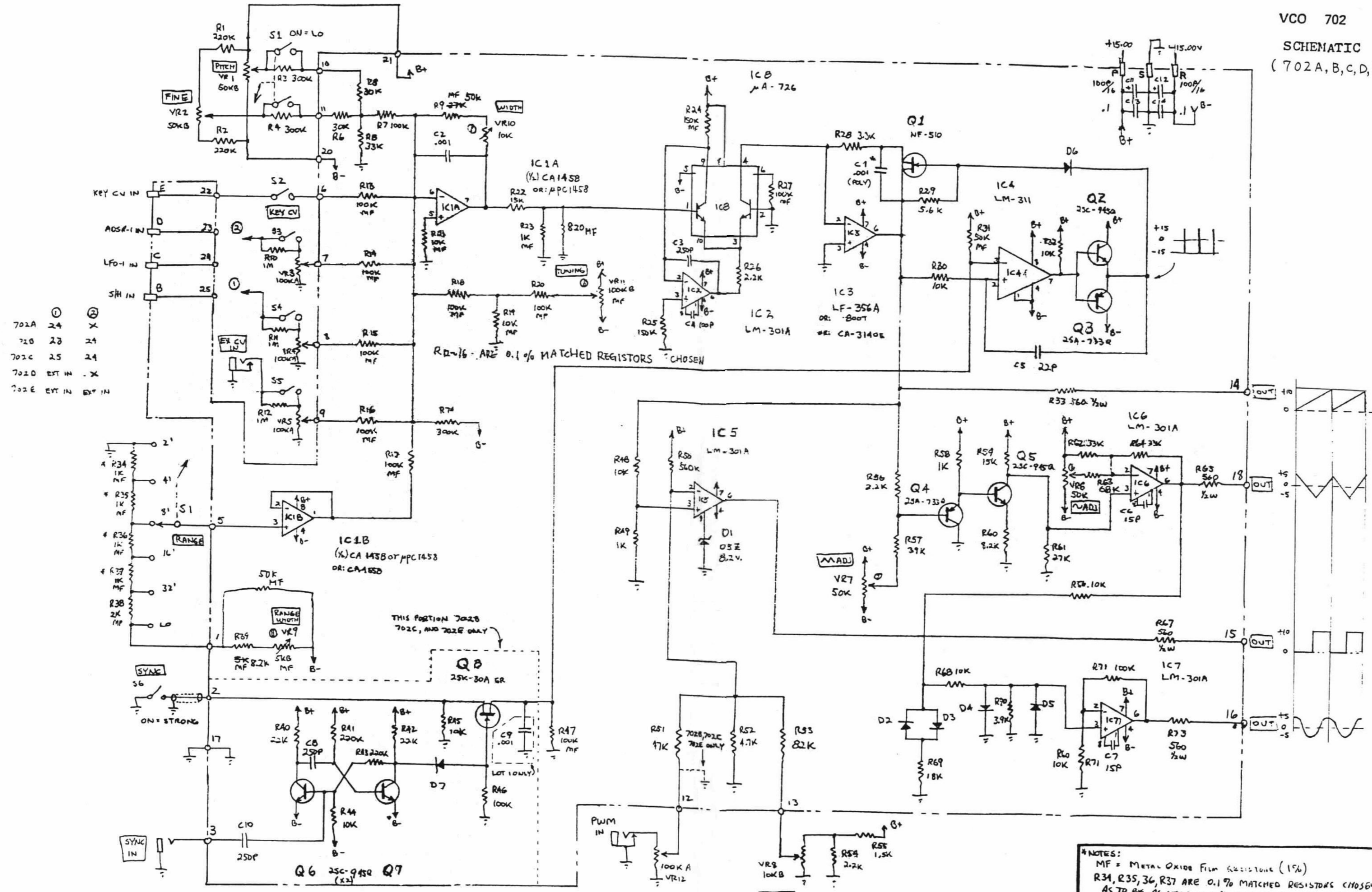


VCO 702  
 SCHEMATIC  
 (702 A, B, C, D, E)



702A	24	X
702B	23	24
702C	25	24
702D	EXT IN	X
702E	EXT IN	EXT IN

\*NOTES:  
 MF = METAL OXIDE FILM RESISTORS (1%)  
 R34, R35, R36, R37 ARE 0.1% MATCHED RESISTORS CHOSEN SO AS TO BE AS NEAR IN VALUE TO EACH OTHER AS POSSIBLE.  
 ALL OTHER RESISTORS 1/4 W, 5%  
 C1 IS A POLYSTYRENE P.P.H. CAPACITOR  
 ALL DIODES (EXCEPT D1) ARE 1S-1555  
 PART USED NUMBERS: IC6, Q4, D7, VR12, R14, C14, C2