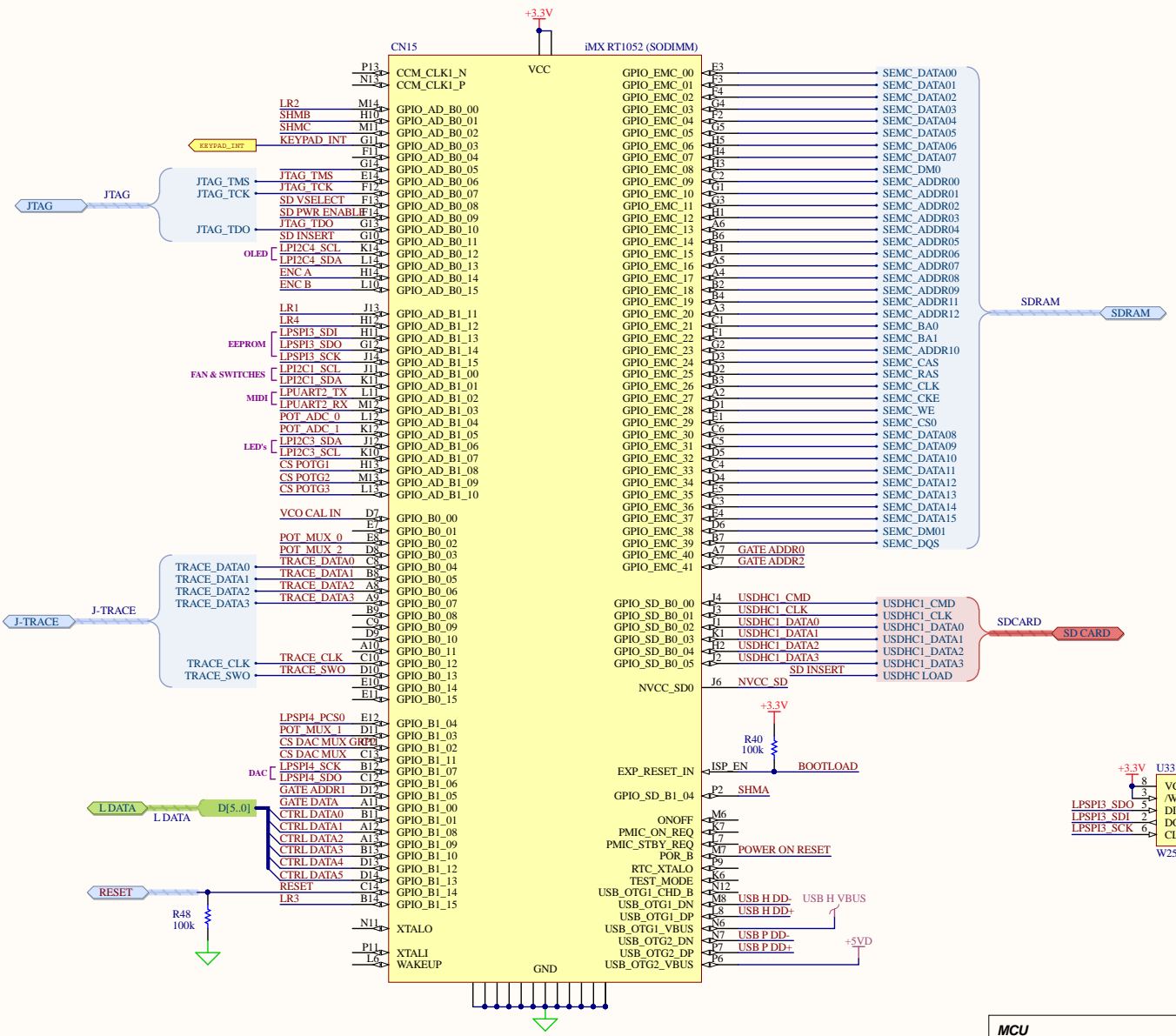


A

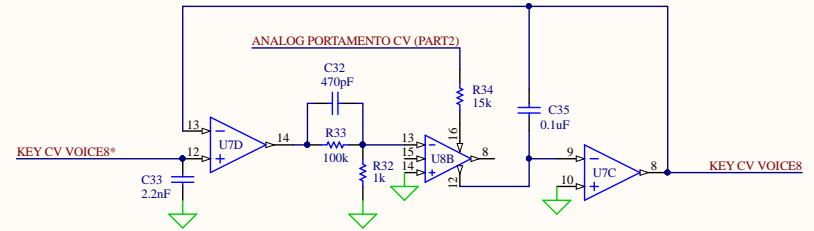
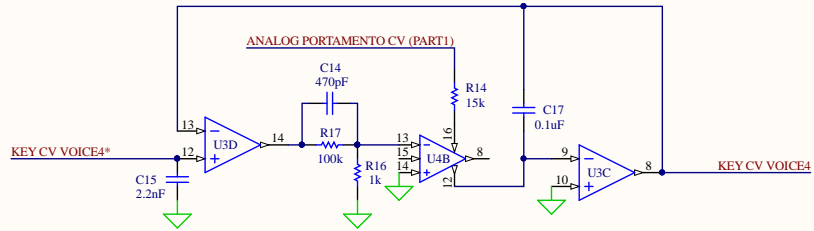
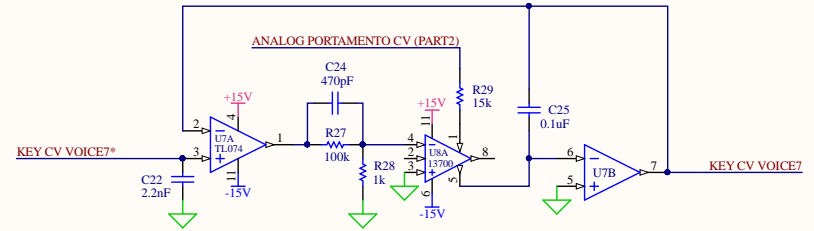
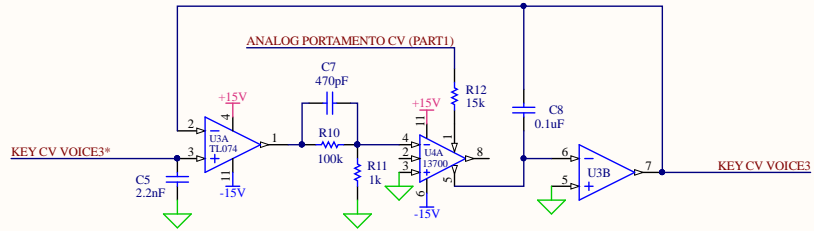
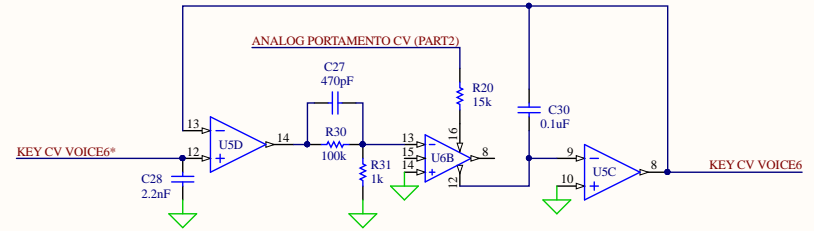
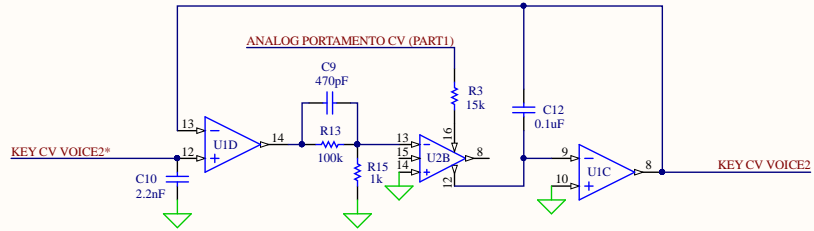
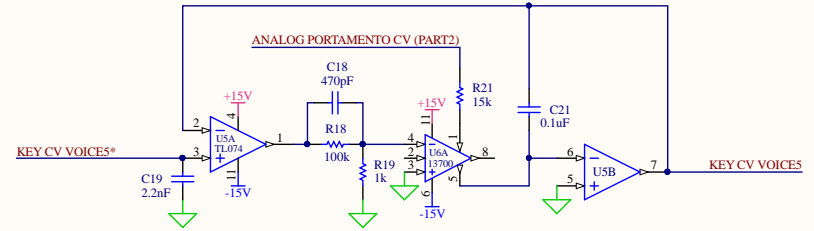
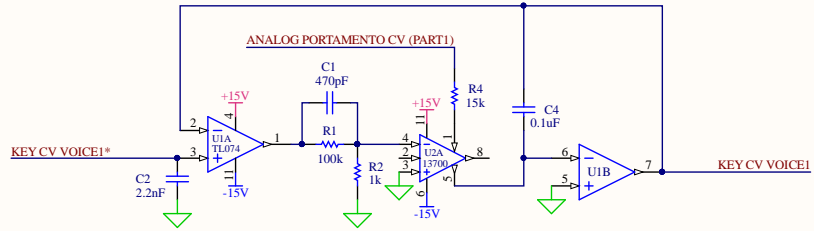
B

C

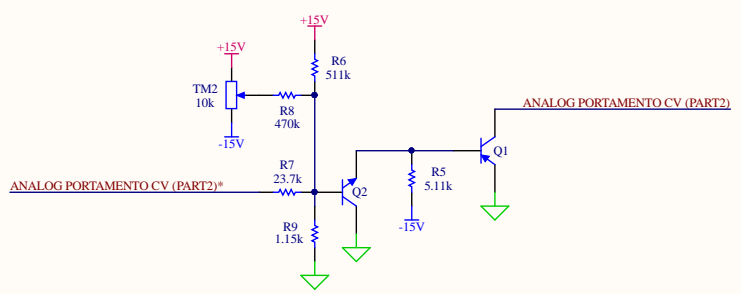
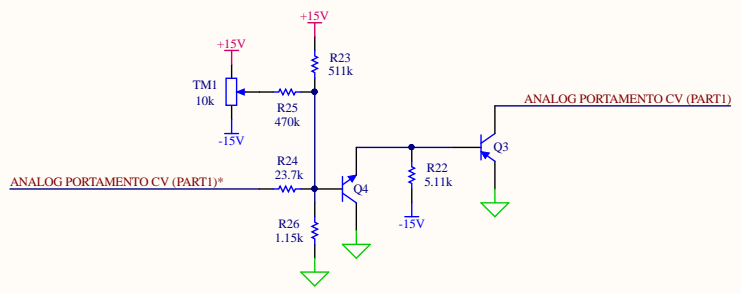
D



MCU	Part Number: 00243-01	Abstrakt Instruments Vintage Sound, Modern Design.
Date: 8/22/2023	Project: VS-1 Mainboard.PrfPcb	
File: Mainboard Sheet1.SchDoc	Author: BC	
	Sheet 1 of 18	Rev: A



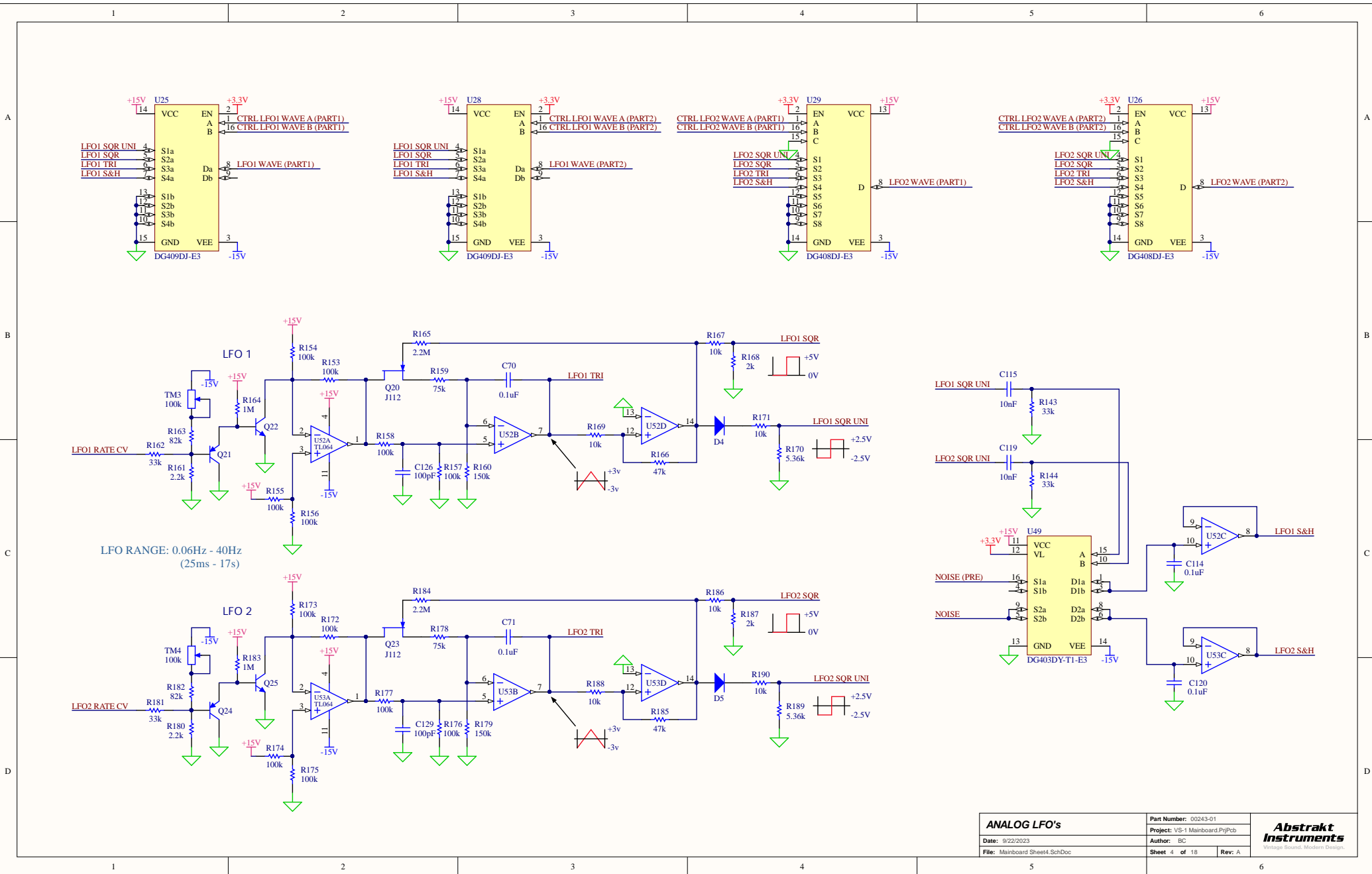
ANALOG GLIDE VCA's	Part Number: 00243-01	Abstrakt Instruments Vintage Sound. Modern Design.
Date: 8/22/2023	Project: VS-1 Mainboard.PrjPcb	
File: Mainboard Sheet2.SchDoc	Author: BC	Sheet 2 of 18 Rev: A

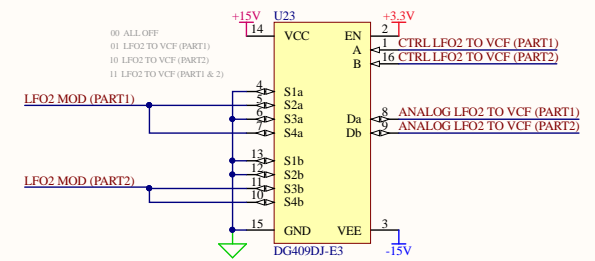
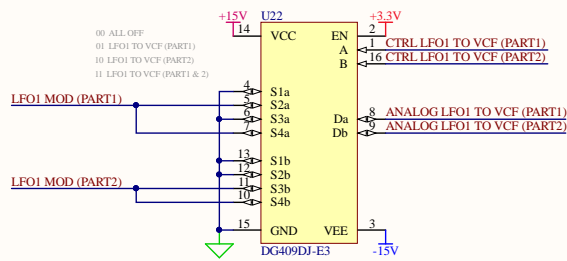
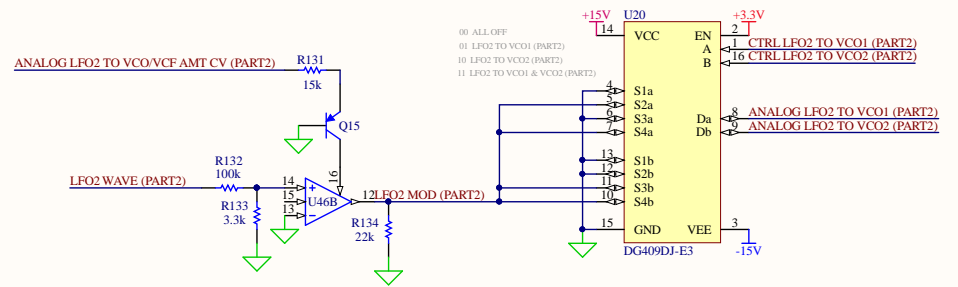
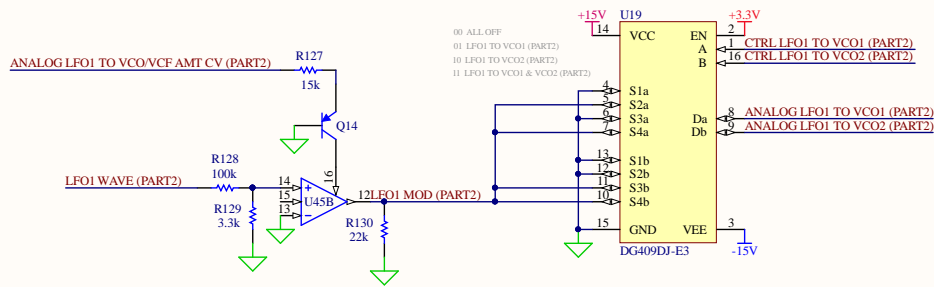
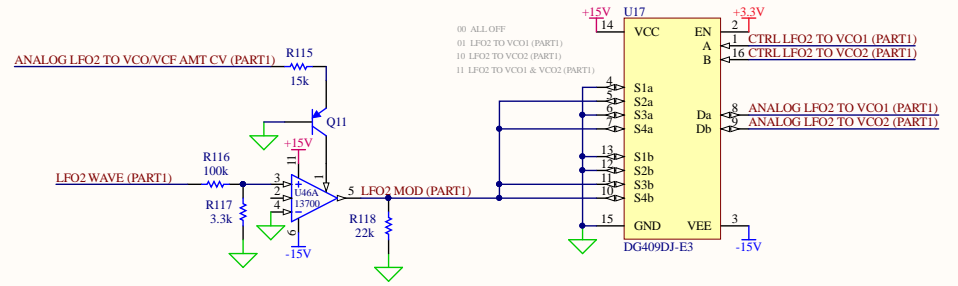
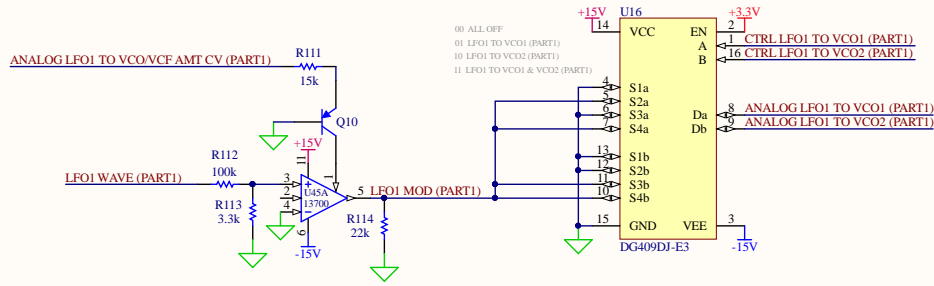


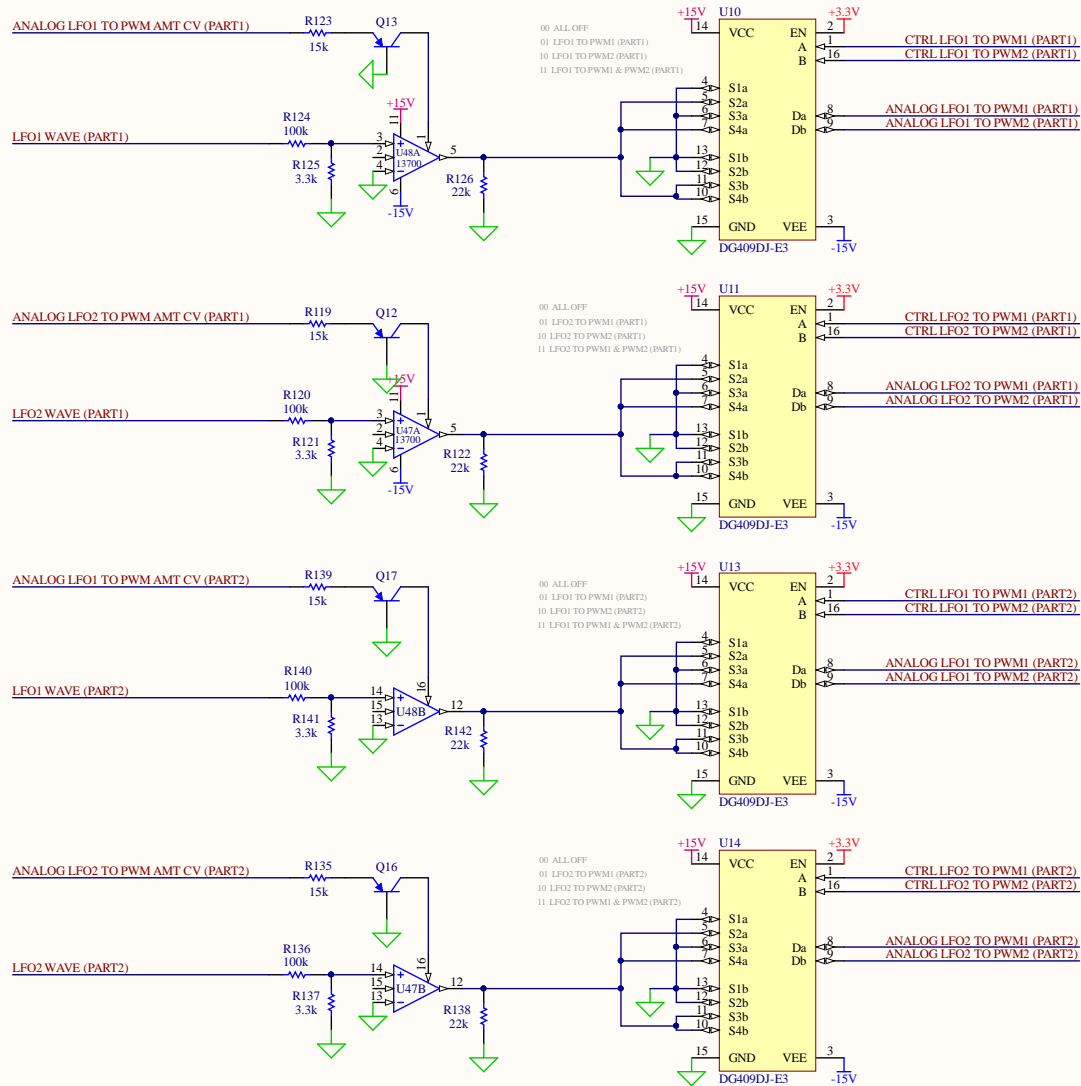
Minimum Portamento time will vary depending on how many voices are installed. Make sure the maximum time at min setting is <100uS.

ANALOG GLIDE CV's		Part Number: 00243-01
Date: 8/22/2023	Project: VS-1 Mainboard.PrjPcb	Author: BC
File: Mainboard Sheet3.SchDoc	Sheet 3 of 18	Rev: A



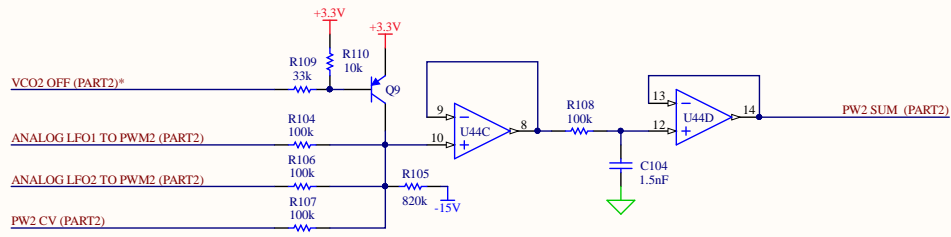
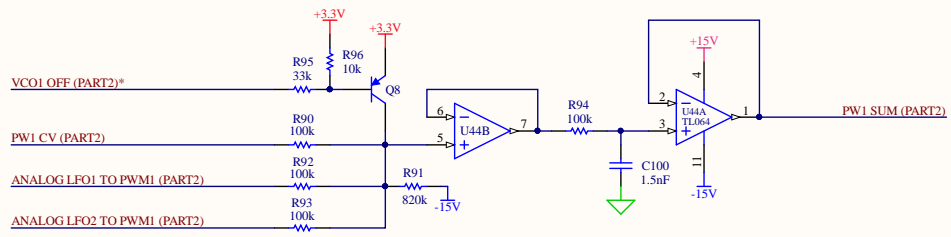
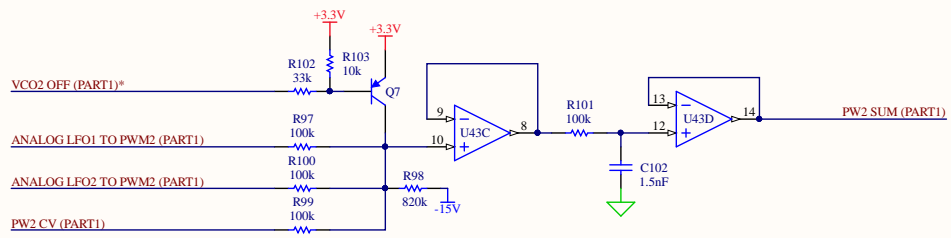
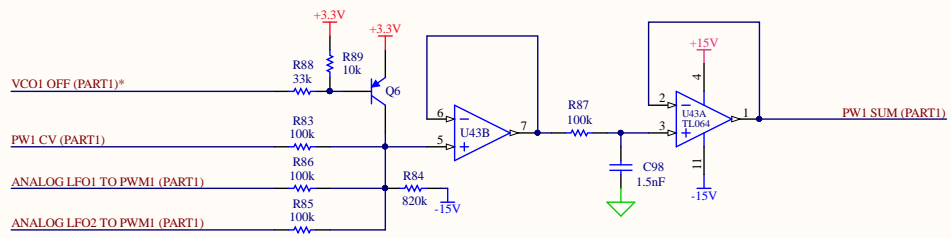






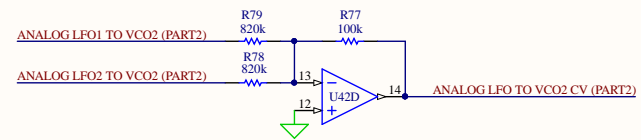
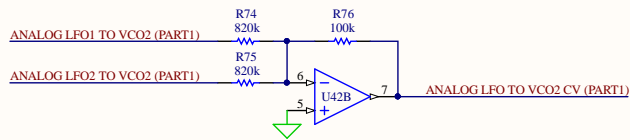
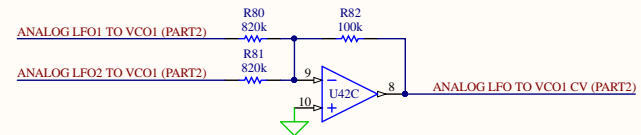
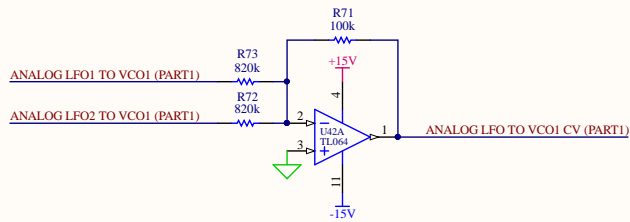
NOTES
 2. All PNP BC557B

ANALOG LFO's TO PW	Part Number: 00243-01	Abstrakt Instruments Vintage Sound. Modern Design.
	Project: VS-1 Mainboard.PrjPcb	
Date: 8/22/2023	Author: BC	
File: Mainboard Sheet6.SchDoc	Sheet 6 of 18	Rev: A

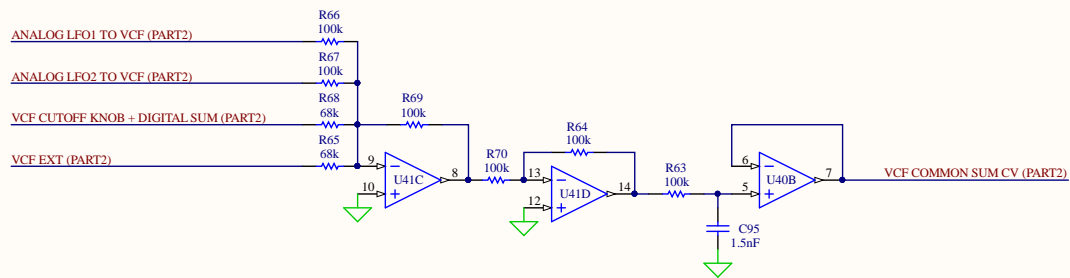
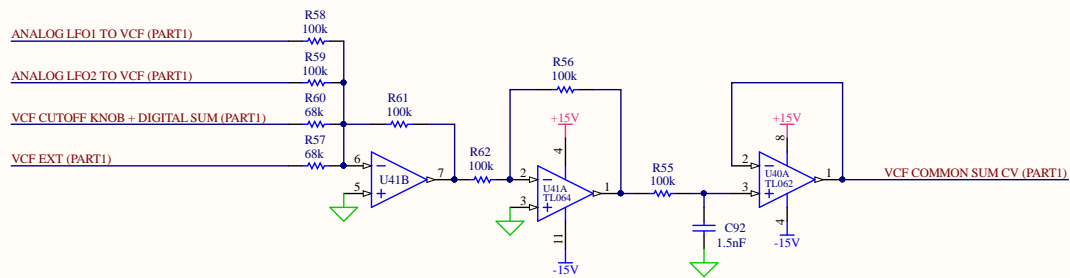


PWM COMMON SUM		Part Number: 00243-01
Date: 8/22/2023	Project: VS-1 Mainboard.PriPcb	Author: BC
File: Mainboard Sheet7.SchDoc	Sheet 7 of 18	Rev: A

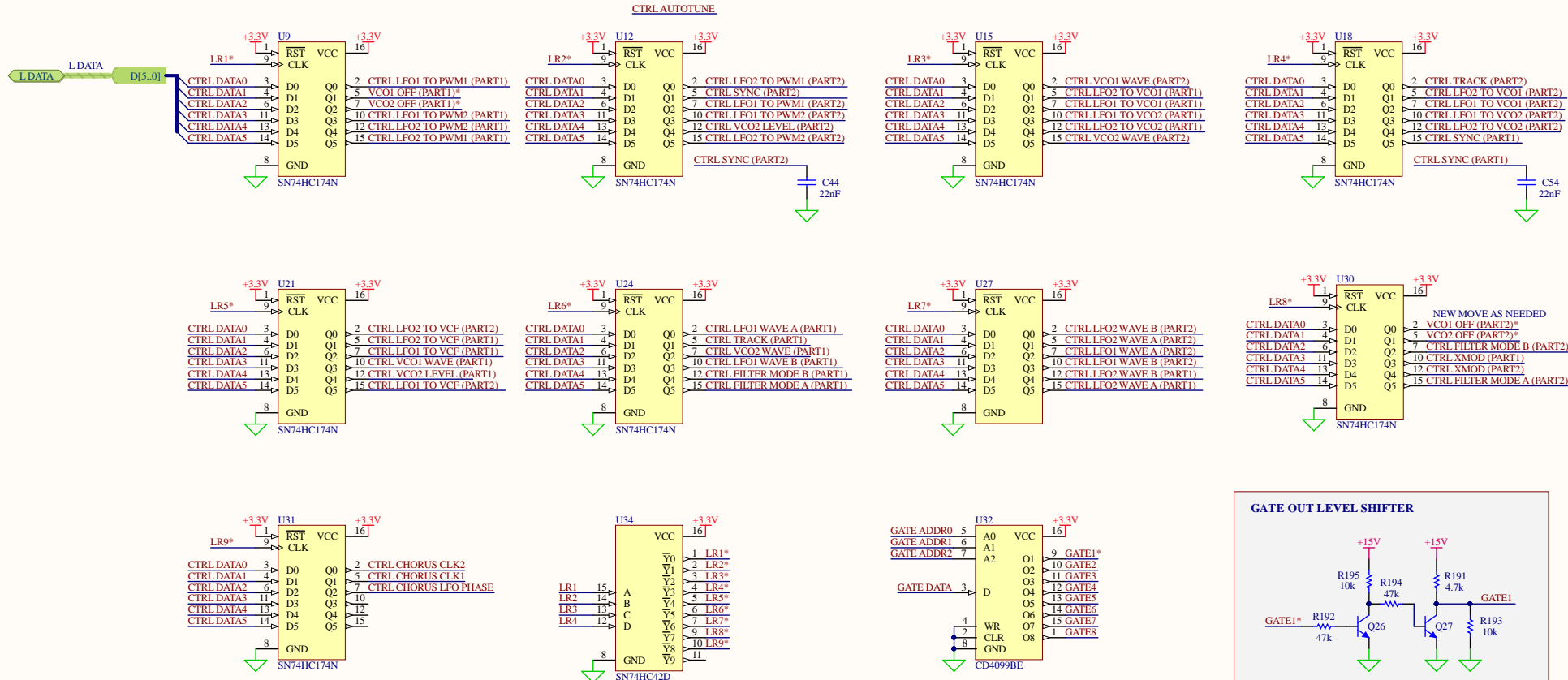




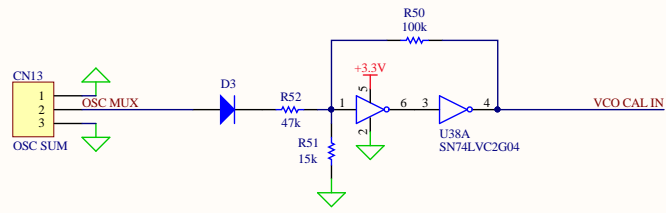
ANALOG LFO's TO VCO's		Part Number: 00243-01	Abstrakt Instruments <small>Vintage Sound. Modern Design.</small>
Date: 8/22/2023		Project: VS-1 Mainboard.PrjPcb	
File: Mainboard Sheet8.SchDoc		Author: BC	
		Sheet 8 of 18	Rev: A



VCF COMMON SUM		Part Number: 00243-01	Abstrakt Instruments <small>Vintage Sound. Modern Design.</small>
Date: 8/22/2023		Project: VS-1 Mainboard.PrjPcb	
File: Mainboard Sheet8.SchDoc		Author: BC	
		Sheet 9 of 18	Rev: A

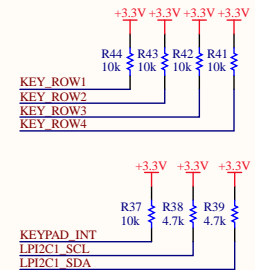
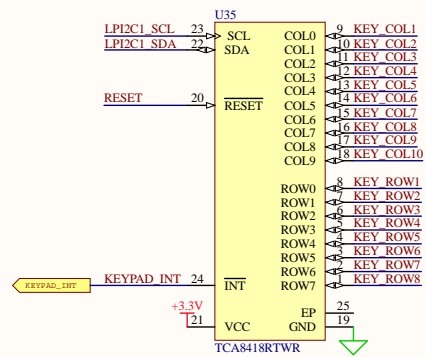
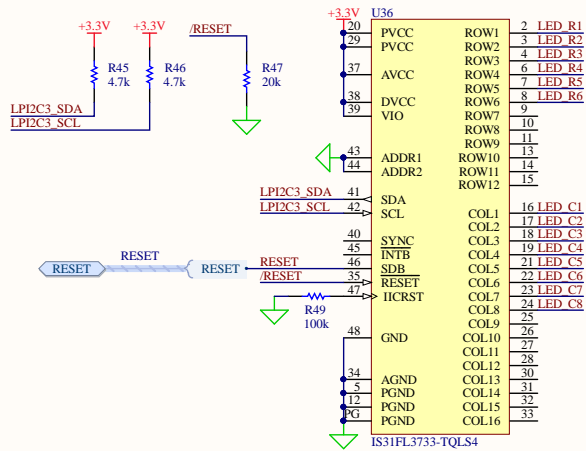


CONTROL LATCHES	Part Number: 00243-01	Abstrakt Instruments Vintage Sound. Modern Design.
Date: 8/22/2023	Project: VS-1 Mainboard.PjtPcb	
File: Mainboard Sheet10.SchDoc	Author: BC	
	Sheet: 10 of 18 Rev: A	

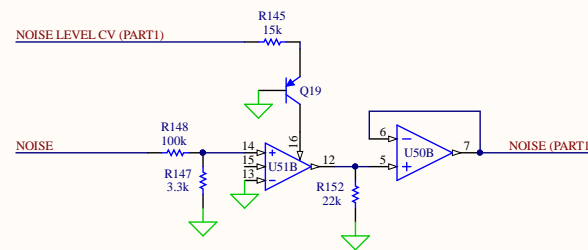
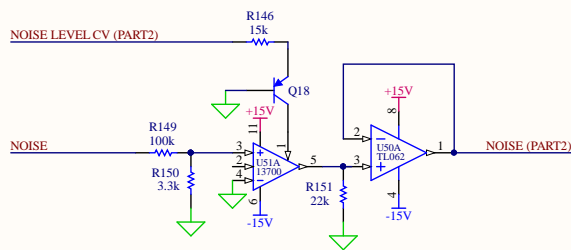
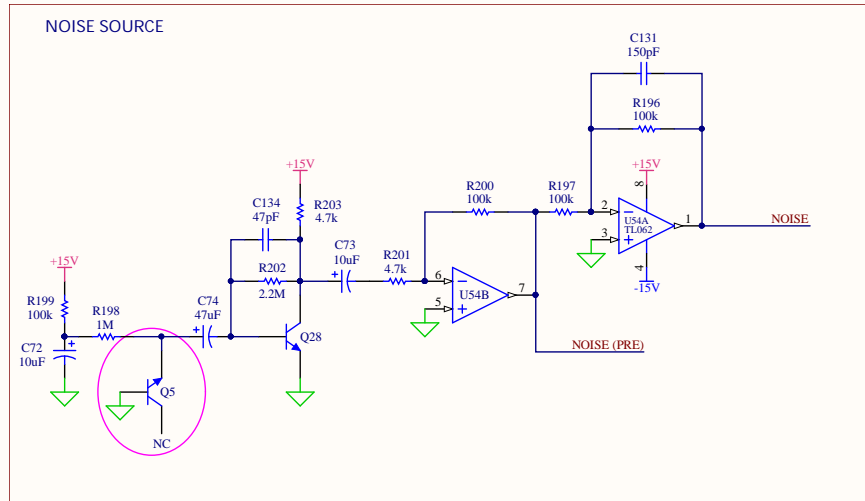


VCO CAL INPUT		Part Number: 00243-01	
Date: 8/22/2023		Project: VS-1 Mainboard.PrjPcb	
File: Mainboard Sheet11.SchDoc		Author: BC	
		Sheet 11 of 18	Rev: A

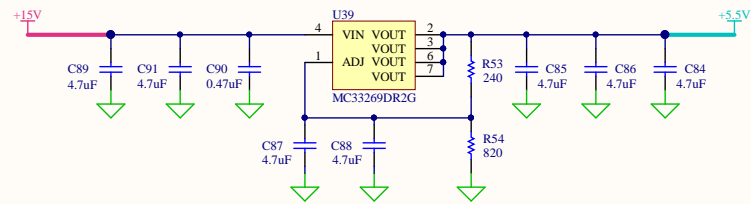




SWITCH & LED DRIVERS		Part Number: 00243-01	Abstrakt Instruments Vintage Sound. Modern Design.
Date: 8/22/2023		Project: VS-1 Mainboard.PrjPcb	
File: Mainboard Sheet12.SchDoc		Author: BC	Sheet 12 of 18 Rev: A

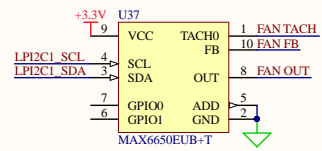


NOISE SOURCE	Part Number: 00243-01	Abstrakt Instruments Vintage Sound. Modern Design.
Date: 8/22/2023	Project: VS-1 Mainboard.PriPcb	
File: Mainboard Sheet13.SchDoc	Author: BC	Sheet 13 of 18
	Rev: A	

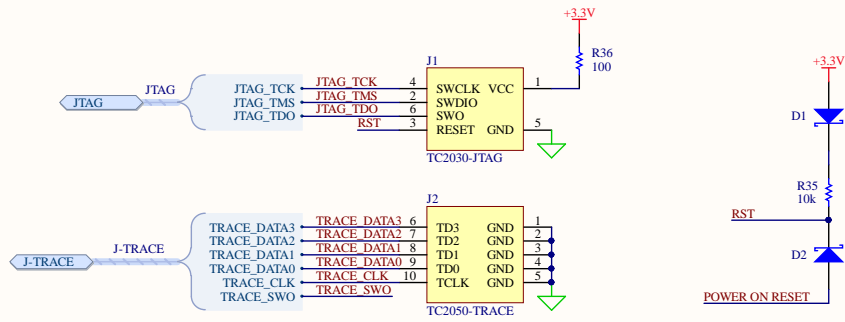


DAC POWER		Part Number: 00243-01	
Date: 8/22/2023	Project: VS-1 Mainboard.PriPcb	Author: BC	
File: Mainboard Sheet14.SchDoc	Sheet 14 of 18	Rev: A	

**Abstrakt
Instruments**
Vintage Sound. Modern Design.

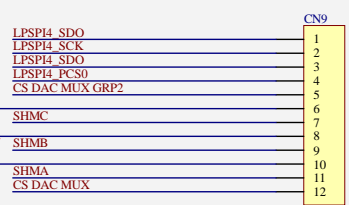
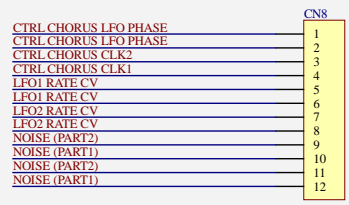
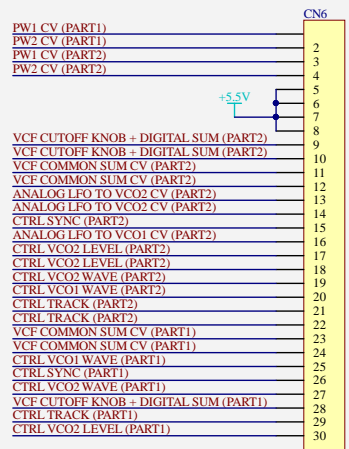
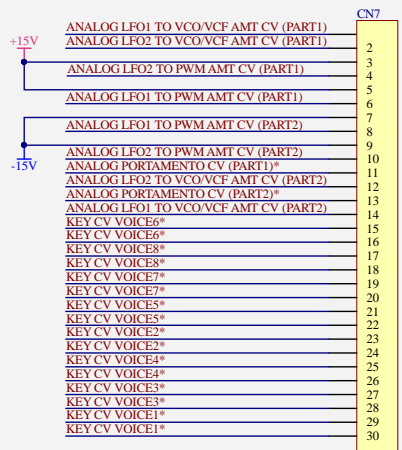
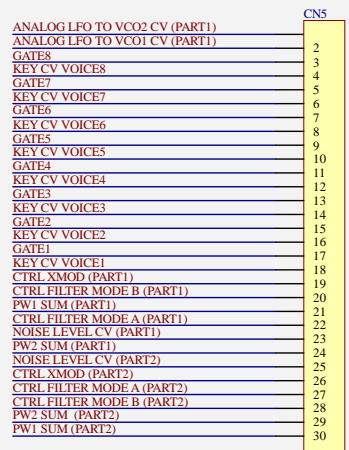


FAN CONTROL		Part Number: 00243-01	Abstrakt Instruments <small>Vintage Sound. Modern Design.</small>
Date: 8/22/2023	Project: VS-1 Mainboard.PriPcb	Author: BC	
File: Mainboard Sheet15.SchDoc	Sheet 15 of 18	Rev: A	

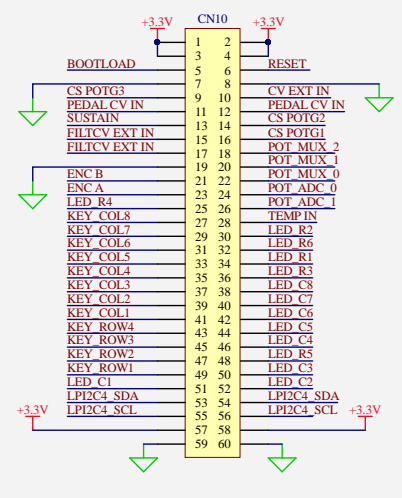


DEBUG	Part Number: 00243-01	Abstrakt Instruments Vintage Sound. Modern Design.
Date: 8/22/2023	Project: VS-1 Mainboard.PrjPcb	
File: Mainboard Sheet16.SchDoc	Author: BC	
	Sheet 16 of 18	Rev: A

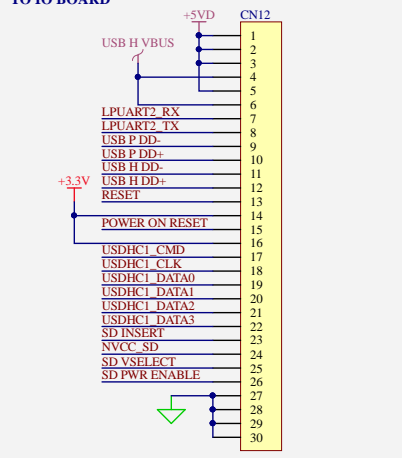
TO DAC BOARD



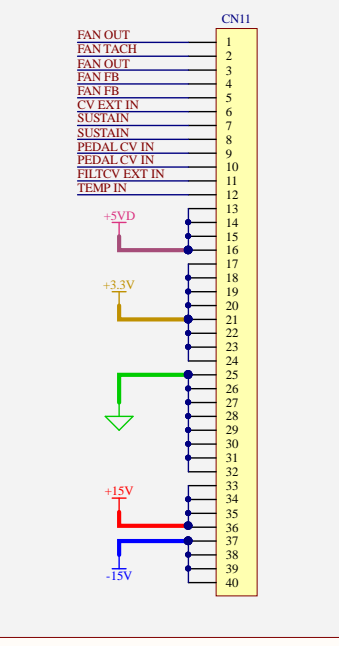
TO PANELBOARD



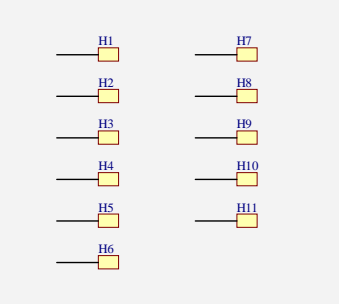
TO IO BOARD



TO VOICE MOBO



MOUNTING HOLES



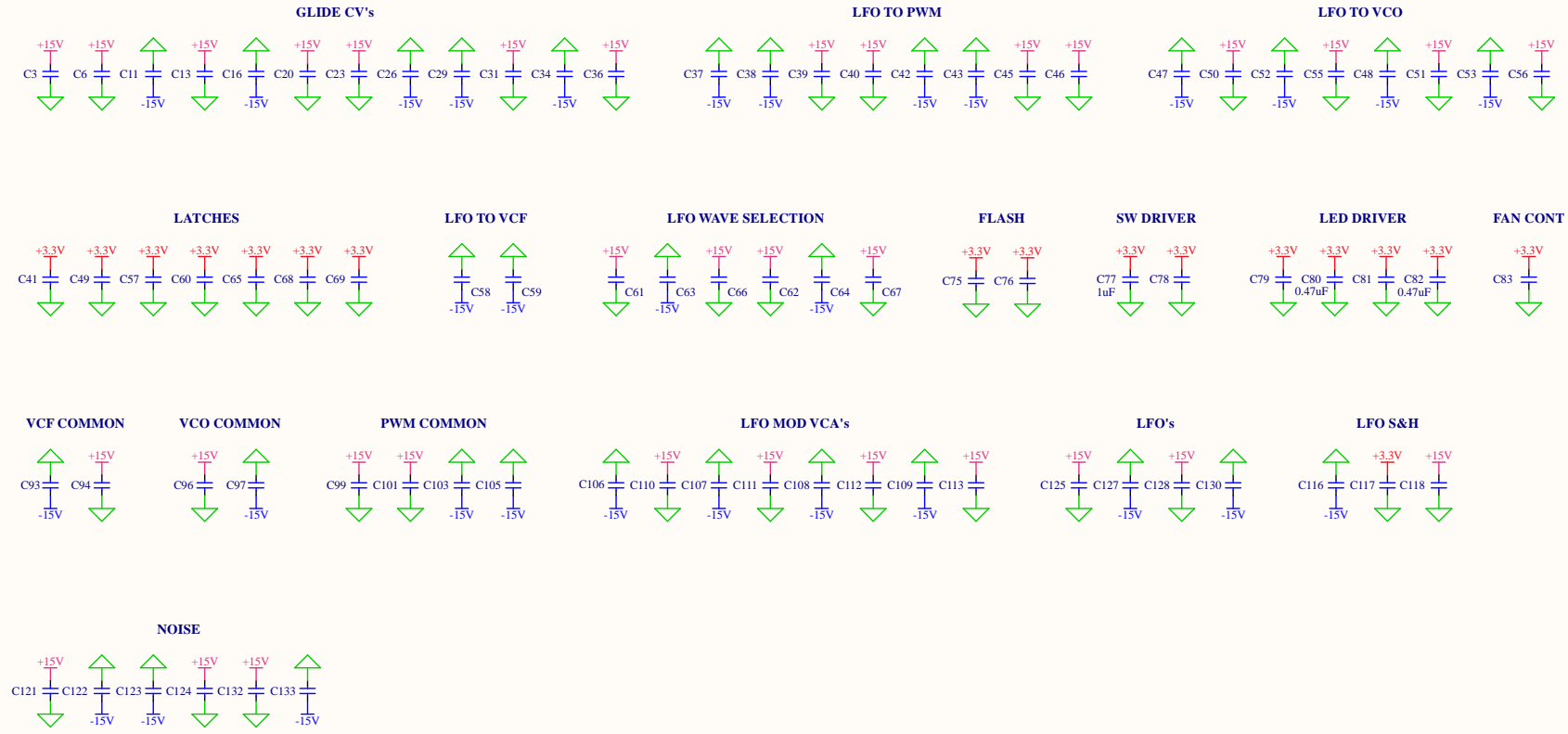
1 2 3 4 5 6

A

B

C

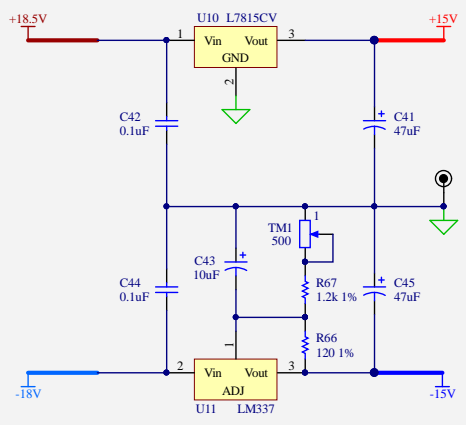
D



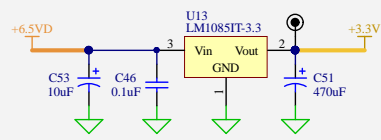
BYPASS CAPS		Part Number: 00243-01
Date: 8/22/2023	Project: VS-1 Mainboard.PriPcb	Abstrakt Instruments Vintage Sound, Modern Design.
File: Mainboard Sheet18.SchDoc	Author: BC	Sheet 18 of 18 Rev: A

1 2 3 4 5 6

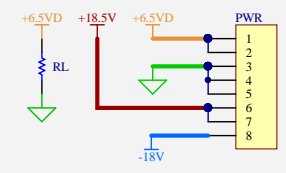
ANALOG SUPPLY VOLTAGES



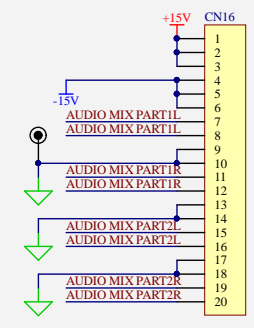
DIGITAL SUPPLY VOLTAGE



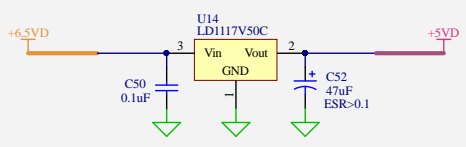
RAW INPUT FROM SMPSU



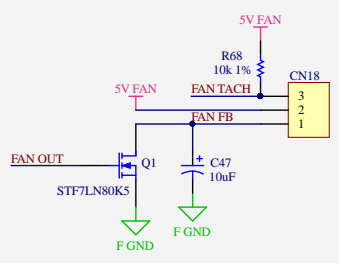
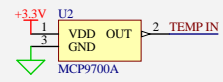
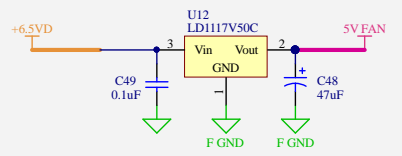
CONNECTIONS TO OUTPUT BOARD



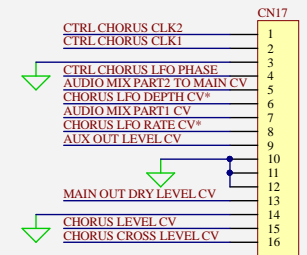
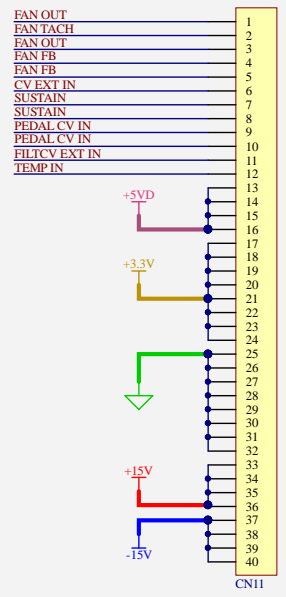
USB SUPPLY VOLTAGE

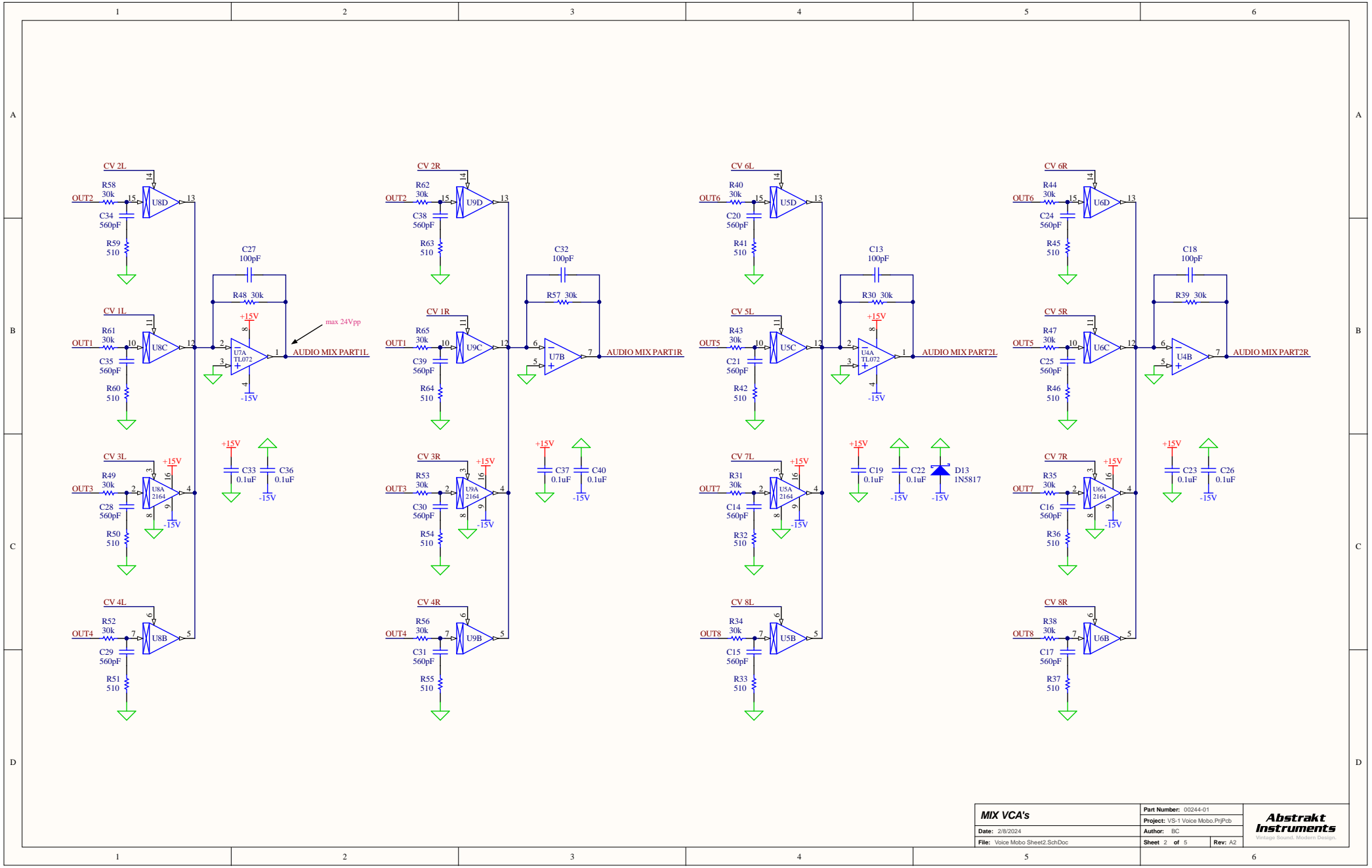


FAN POWER & CONTROL



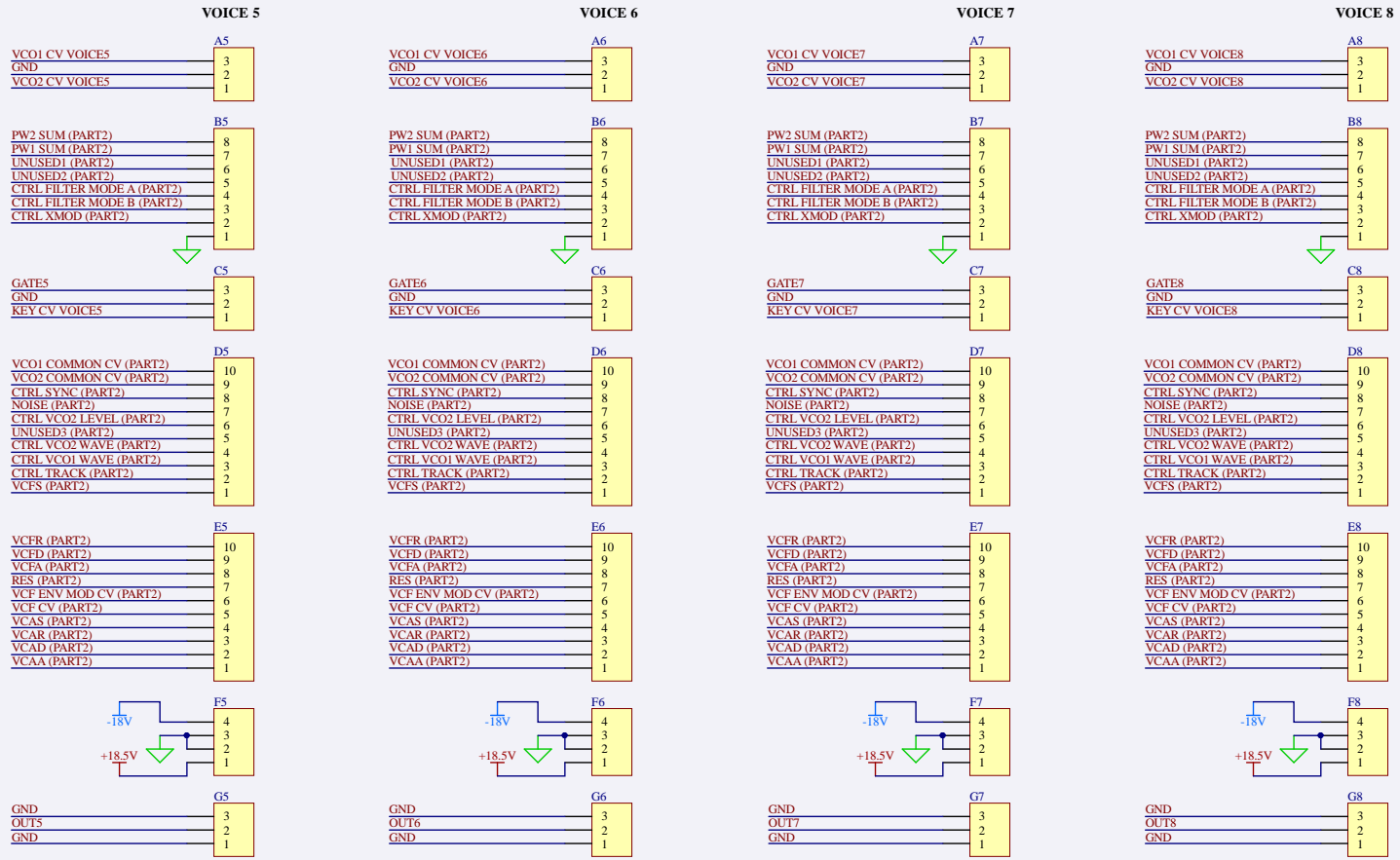
CONNECTIONS TO MAINBOARD



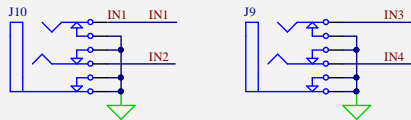
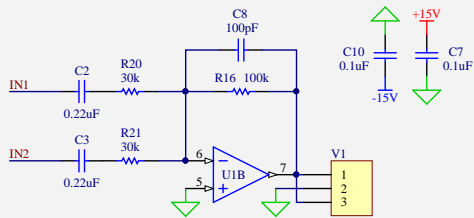
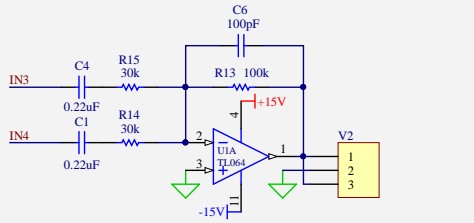


MIX VCA's	Part Number: 00244-01	Abstrakt Instruments Vintage Sound. Modern Design.
Date: 2/8/2024	Project: VS-1 Voice Mubo, PrjPcb	
File: Voice Mubo Sheet2.SchDoc	Author: BC	
	Sheet 2 of 5	Rev: A2

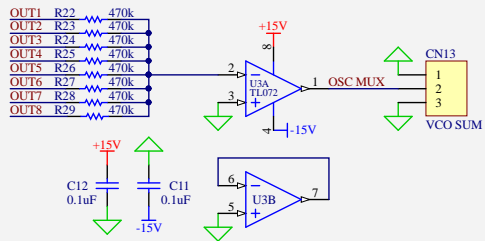
PART 2



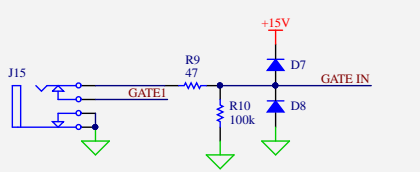
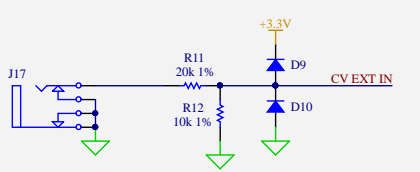
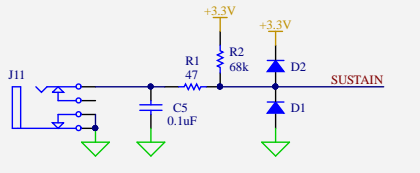
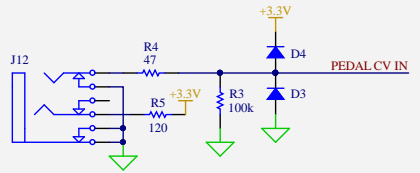
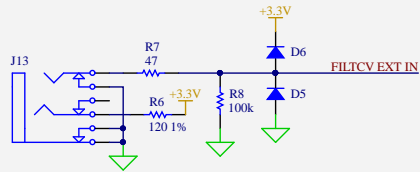
EXTERNAL AUDIO INPUT



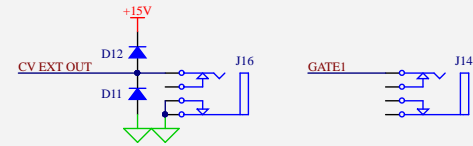
VCO CALIBRATION SUM



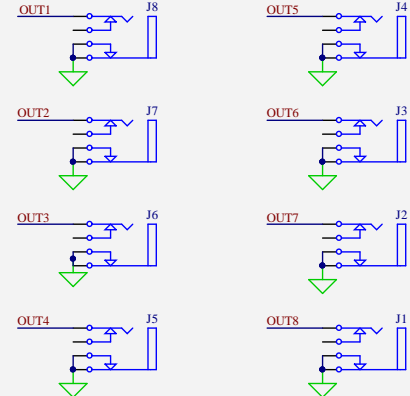
EXTERNAL CONTROL INPUTS



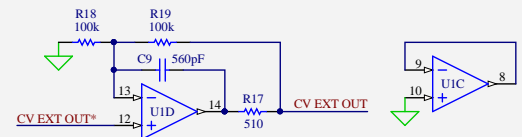
VOICE 1 CV & GATE OUT



DIRECT AUDIO OUTS



EXTERNAL CV OUTPUT

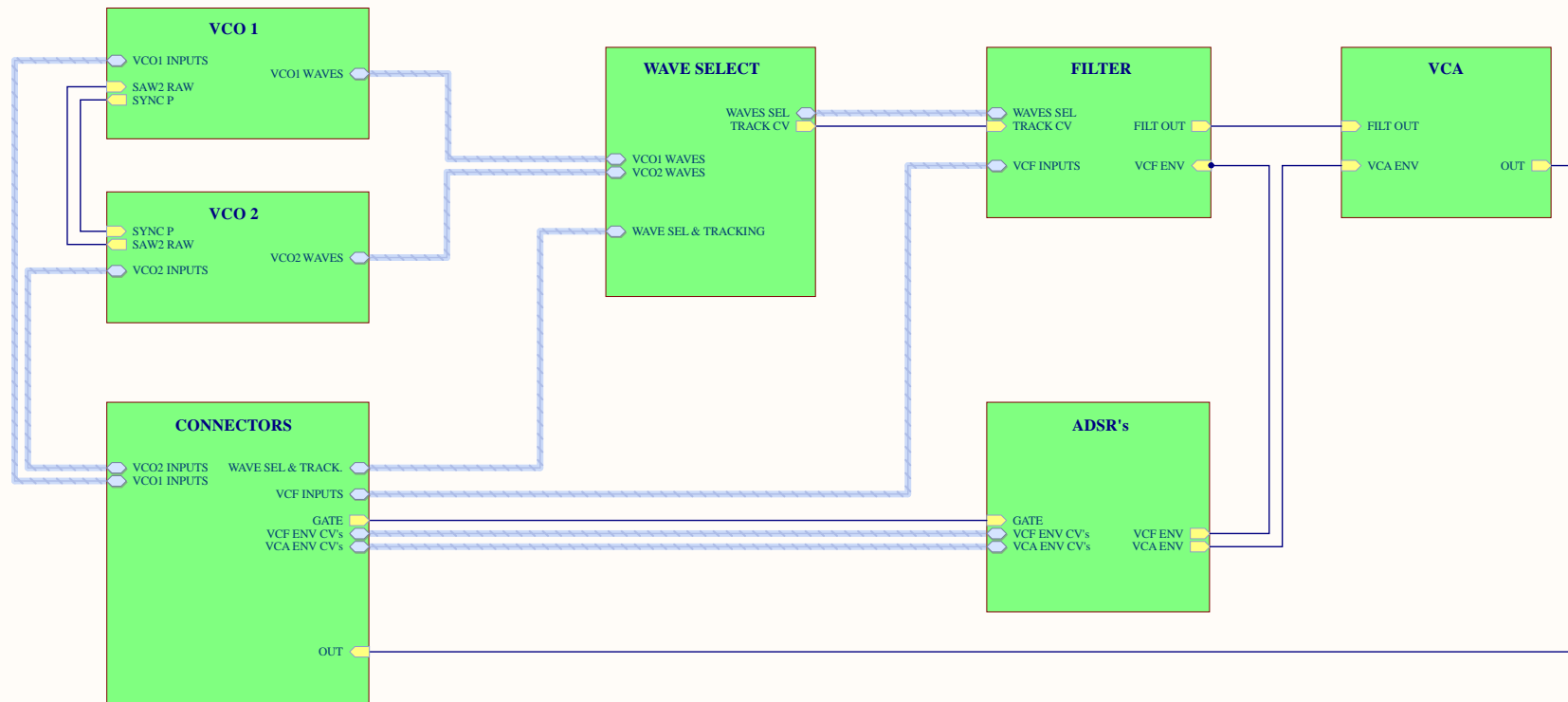


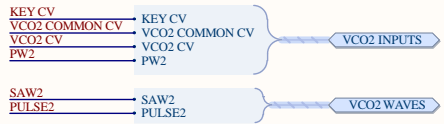
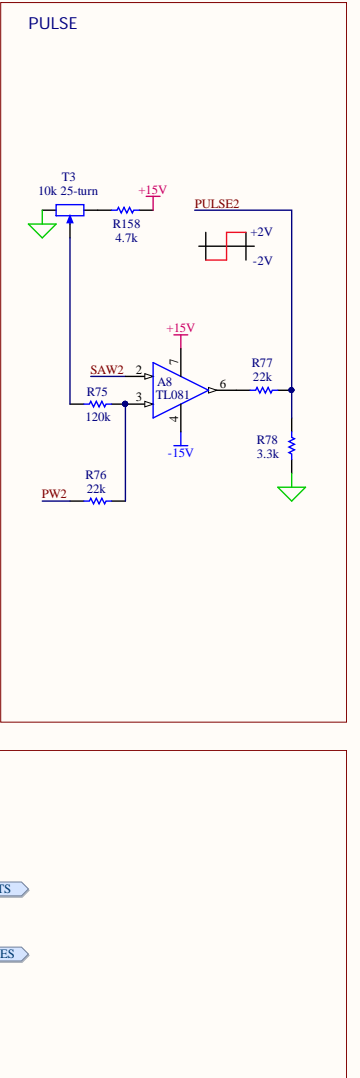
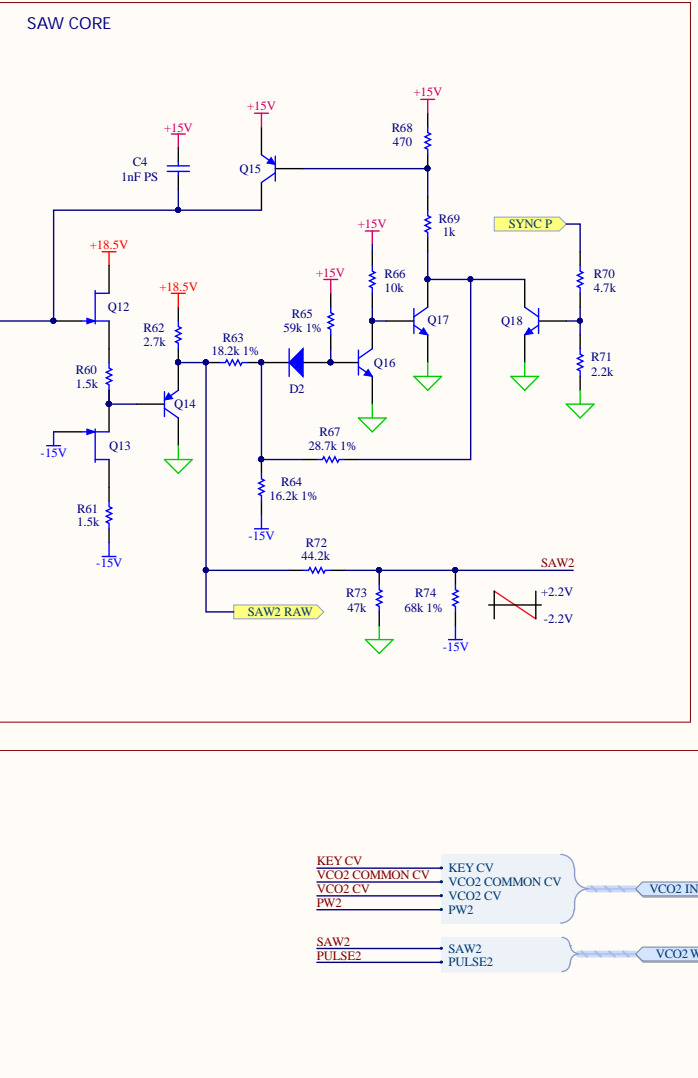
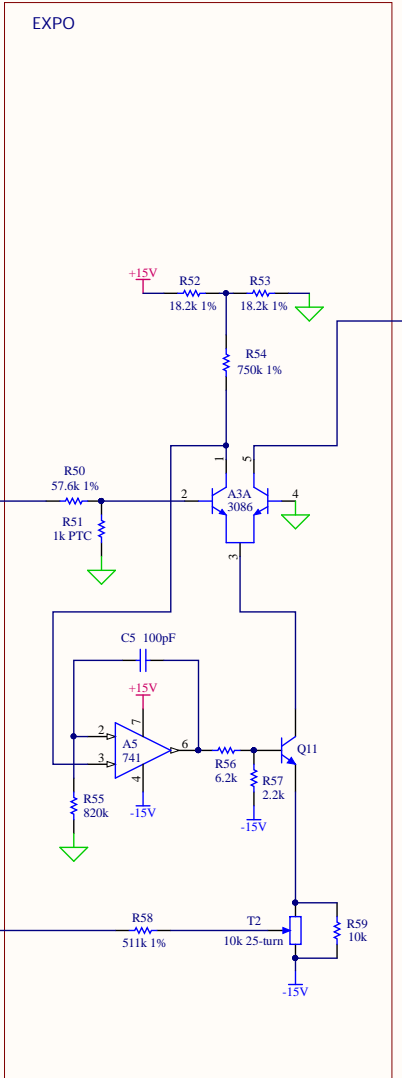
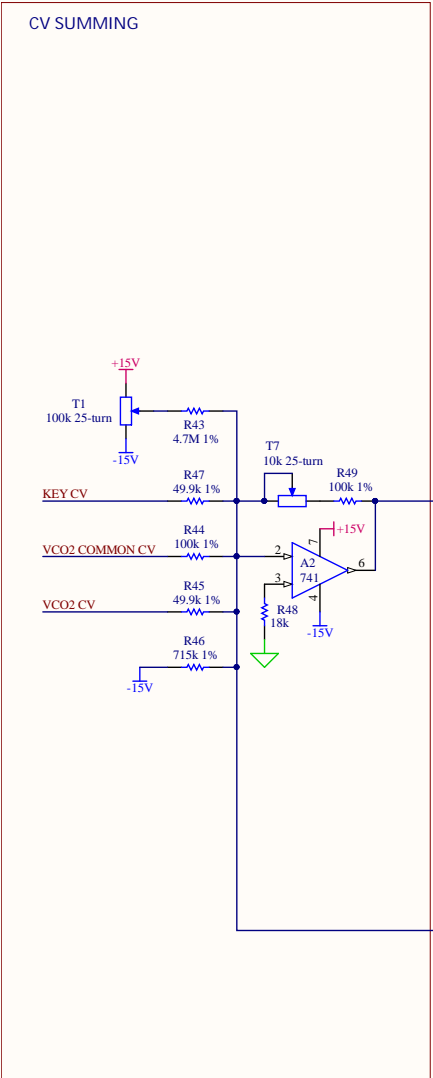
AUDIO & CV I/O

Date: 2/8/2024
File: Voice Mbo Sheet5.Sch.Doc

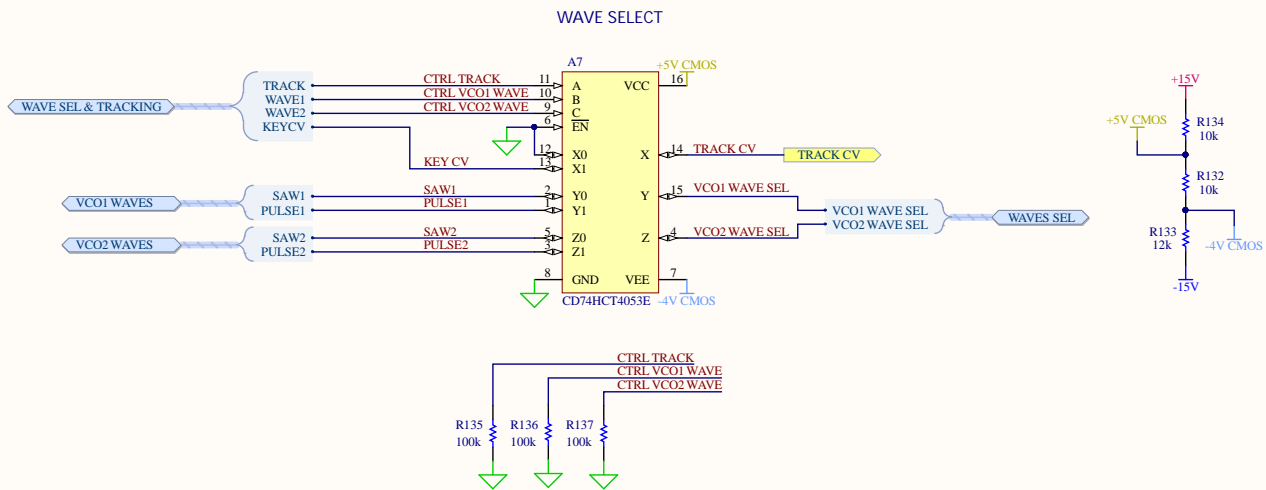
Part Number: 00244-01
Project: VS-1 Voice Mbo, Prj/Pcb
Author: BC
Sheet 5 of 5 Rev: A2

Abstrakt Instruments
Vintage Sound. Modern Design.

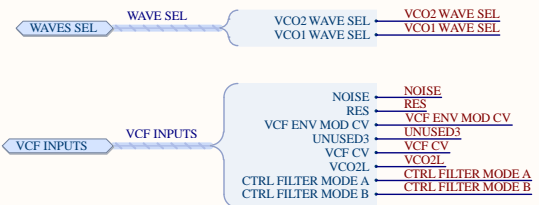
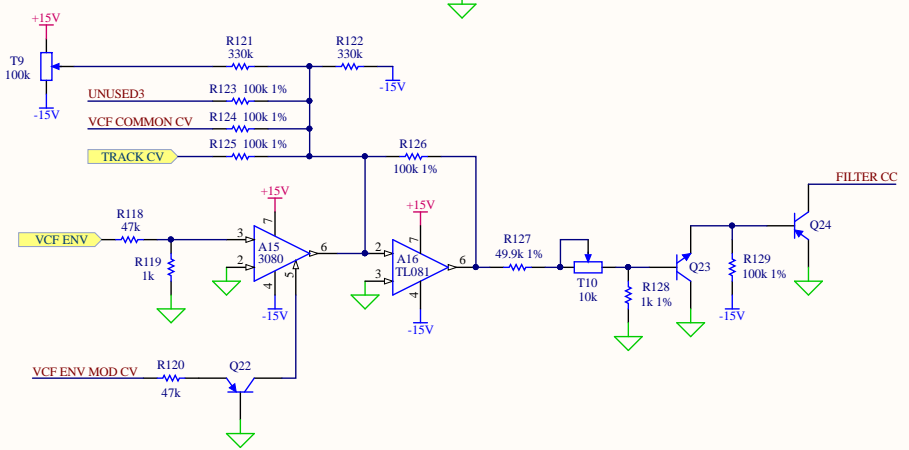
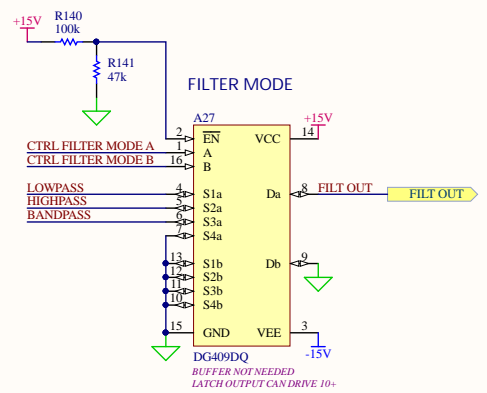
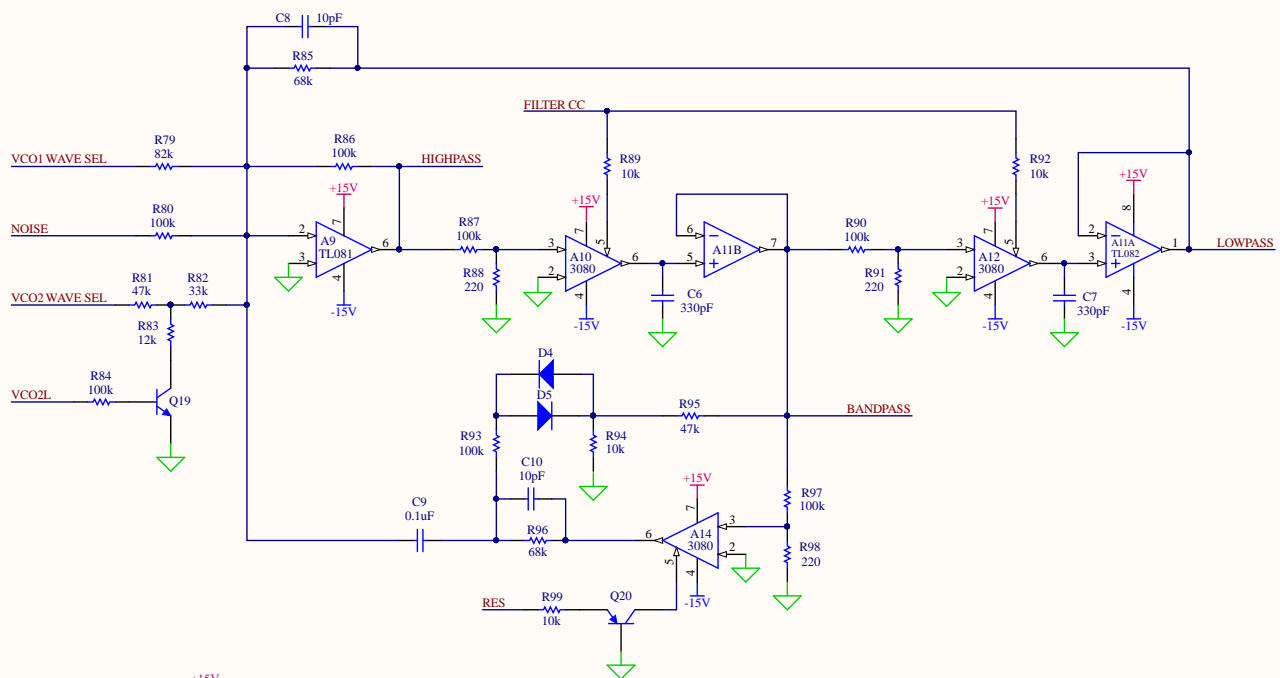




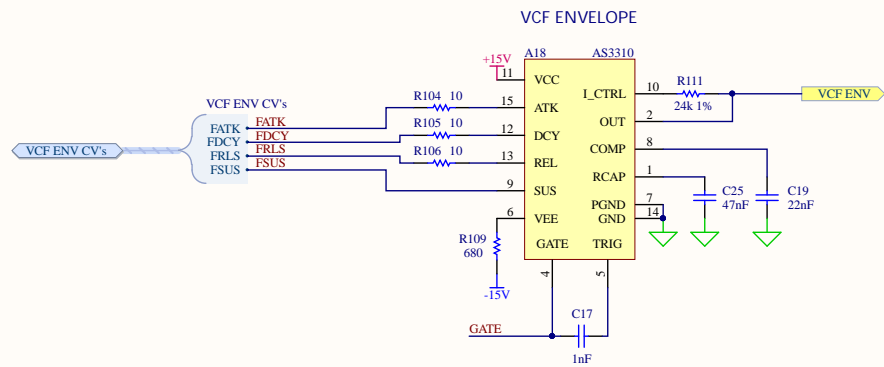
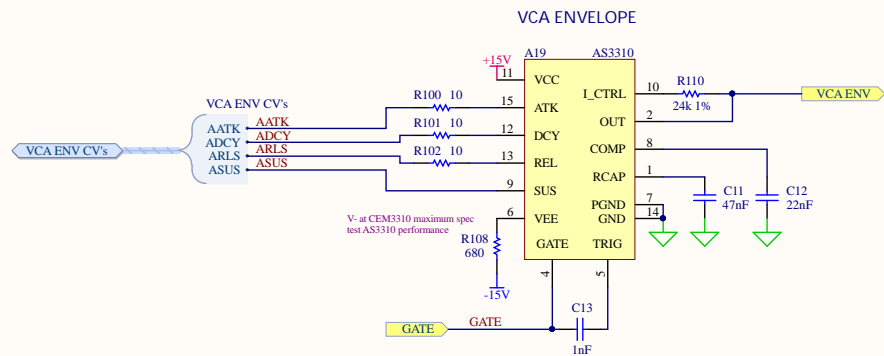
VCO 2	Part Number: 00241-01	Abstrakt Instruments Vintage Sound. Modern Design.
Date: 8/4/2023	Project: VS-1 Voice Card.PrjPcb	
File: Voice Card Sheet3.SchDoc	Author: BC	
	Sheet 3 of 8 Rev: A	



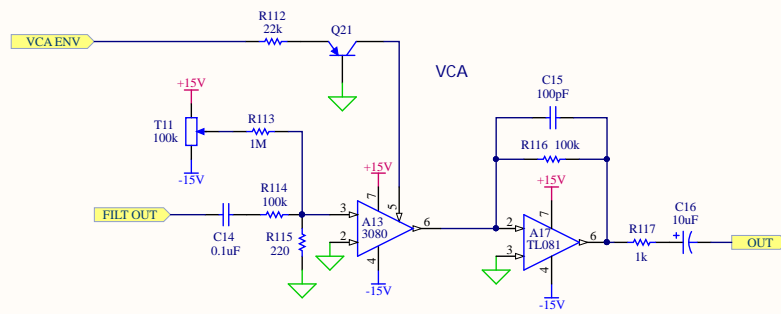
WAVE SELECT	Part Number: 00241-01	Abstrakt Instruments <small>Vintage Sound. Modern Design.</small>
Date: 8/4/2023	Project: VS-1 Voice Card.PrjPcb	
File: Voice Card Sheet4.SchDoc	Author: BC	Sheet 4 of 8
	Rev: A	



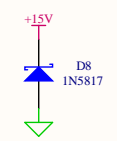
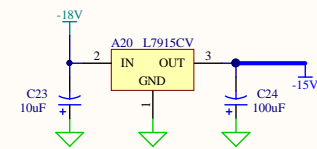
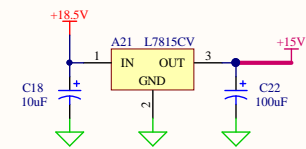
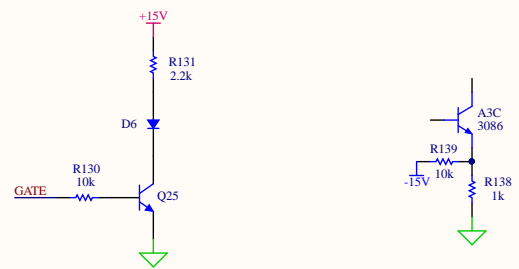
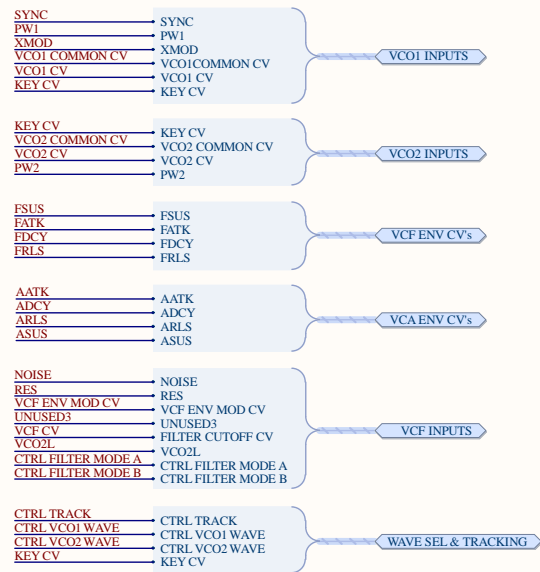
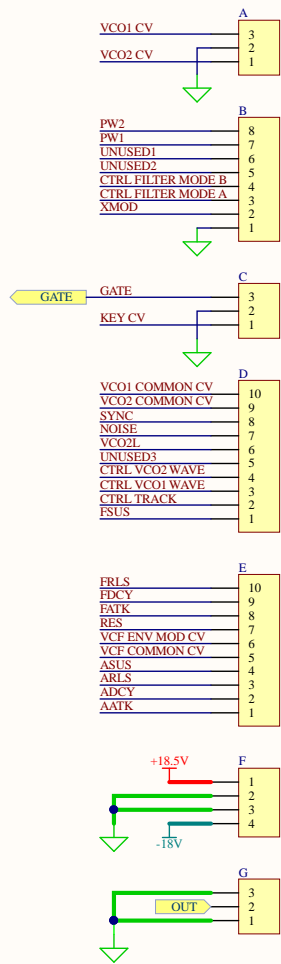
FILTER	Part Number: 00241-01	Abstrakt Instruments <small>Vintage Sound. Modern Design.</small>
Date: 8/4/2023	Project: VS-1 Voice Card.PrjPcb	
File: Voice Card Sheet5.SchDoc	Author: BC	
	Sheet: 5 of 8 Rev: A	



ADSR's	Part Number: 00241-01	Abstrakt Instruments <small>Vintage Sound. Modern Design.</small>
Date: 8/4/2023	Project: VS-1 Voice Card.PrjPcb	
File: Voice Card Sheet6.SchDoc	Author: BC	Sheet 6 of 8 Rev: A

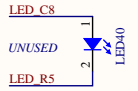
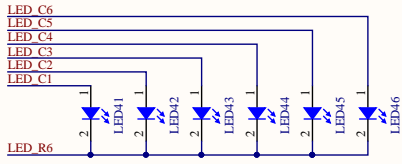
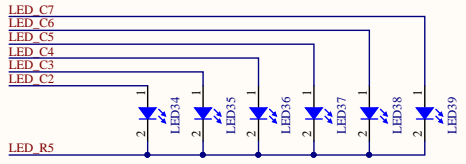
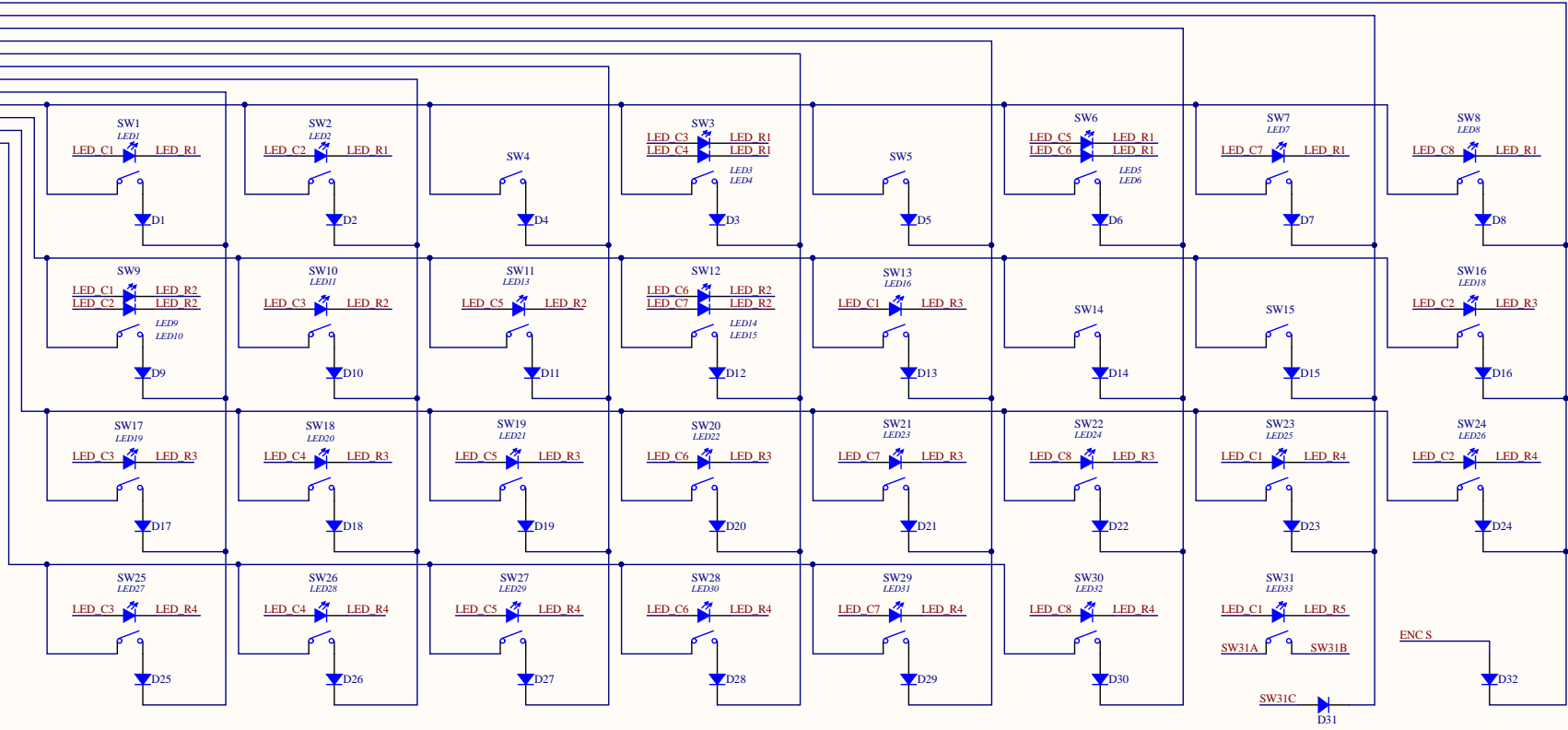


VCA	Part Number: 00241-01	Abstrakt Instruments <small>Vintage Sound. Modern Design.</small>
Date: 8/4/2023	Project: VS-1 Voice Card_PrjPcb	
File: Voice Card Sheet7.SchDoc	Author: BC	Sheet 7 of 8
	Rev: A	

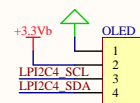
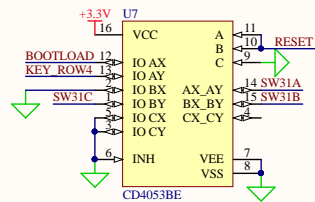
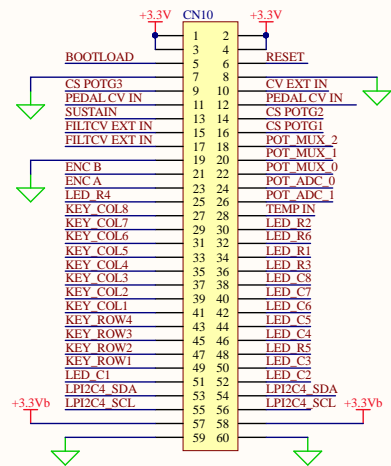


POWER & CONN's		Part Number: 00241-01	
Date: 8/4/2023	Project: VS-1 Voice Card.PrjPcb	Author: BC	Abstrakt Instruments <small>Vintage Sound, Modern Design.</small>
File: Voice Card Sheet6.SchDoc	Sheet 8 of 8	Rev: A	

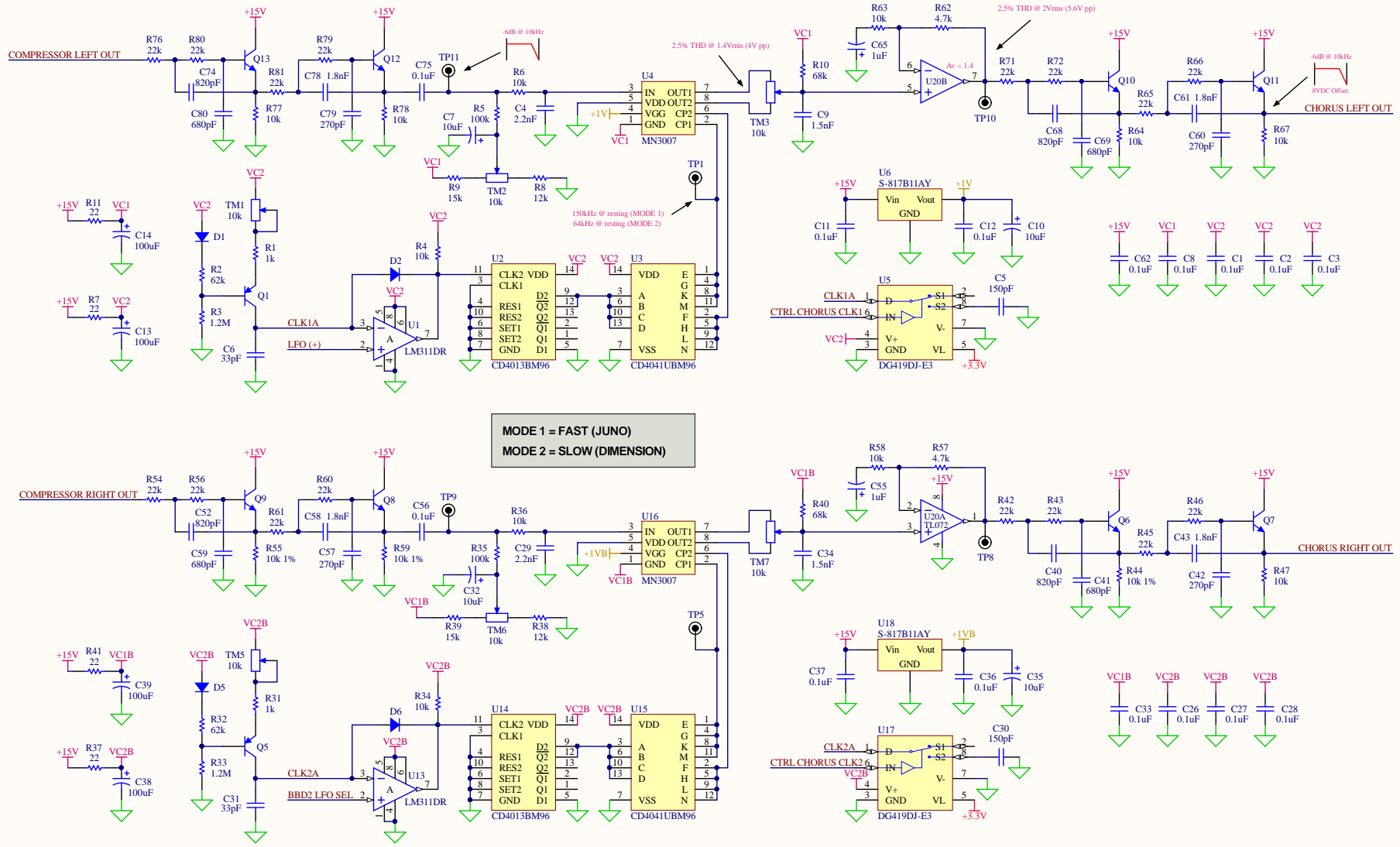
KEY COL8
KEY COL7
KEY COL6
KEY COL5
KEY COL4
KEY COL3
KEY COL2
KEY COL1
KEY ROW1
KEY ROW2
KEY ROW3
KEY ROW4



SWITCHES & LED's		Part Number: 00245-01	Abstrakt Instruments Vintage Sound. Modern Design.
Date: 8/4/2023		Project: VS-1 PanelBoard.PrjPcb	
File: PanelBoard Sheet2.SchDoc		Author: BC	
		Sheet 2 of 3	Rev: A

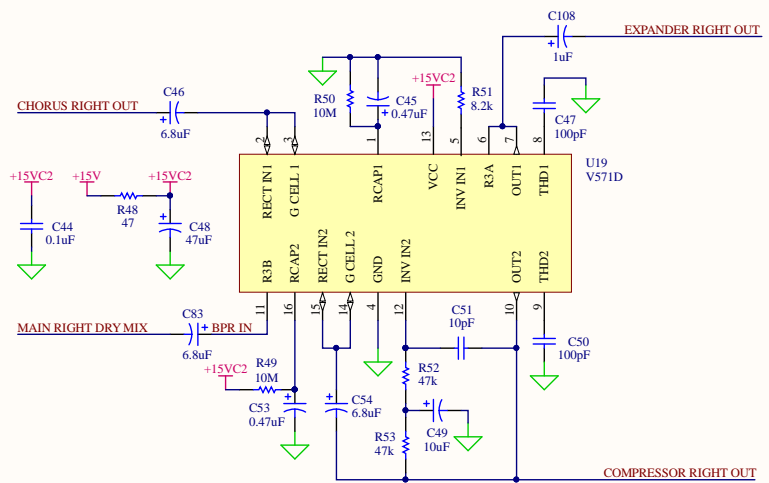
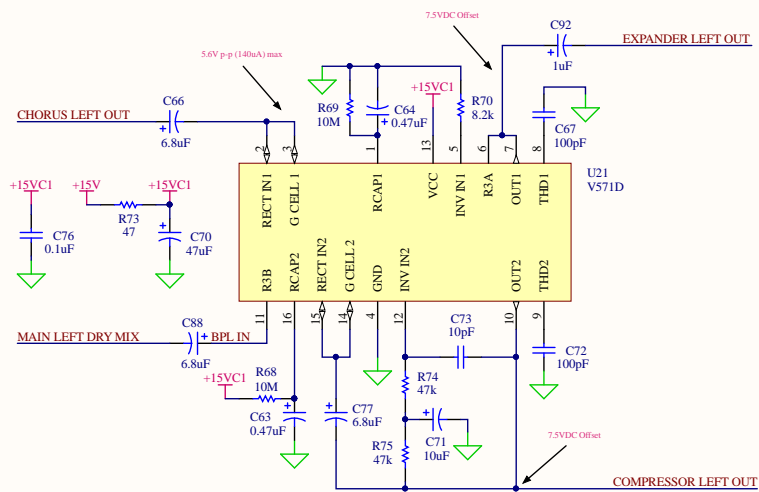


CONNECTORS	Part Number: 00245-01	Abstrakt Instruments Vintage Sound. Modern Design.
	Project: VS-1 PanelBoard.PrjPcb	
Date: 8/4/2023	Author: BC	
File: PanelBoard Sheet3.Sch.Doc	Sheet 3 of 3	Rev: A



MODE 1 = FAST (JUNO)
MODE 2 = SLOW (DIMENSION)

CHORUS	Part Number: 00242-01	Abstrakt Instruments Vintage Sound. Modern Design.
Date: 2/8/2024	Project: VS-1 Output Board.PjPcb	
File: Output Board Sheet1.SchDoc	Author: BC	
	Sheet 1 of 6 Rev: A2	



COMPANDERS

Date: 2/8/2024
 File: Output Board Sheet2.SchDoc

Part Number: 00242-01

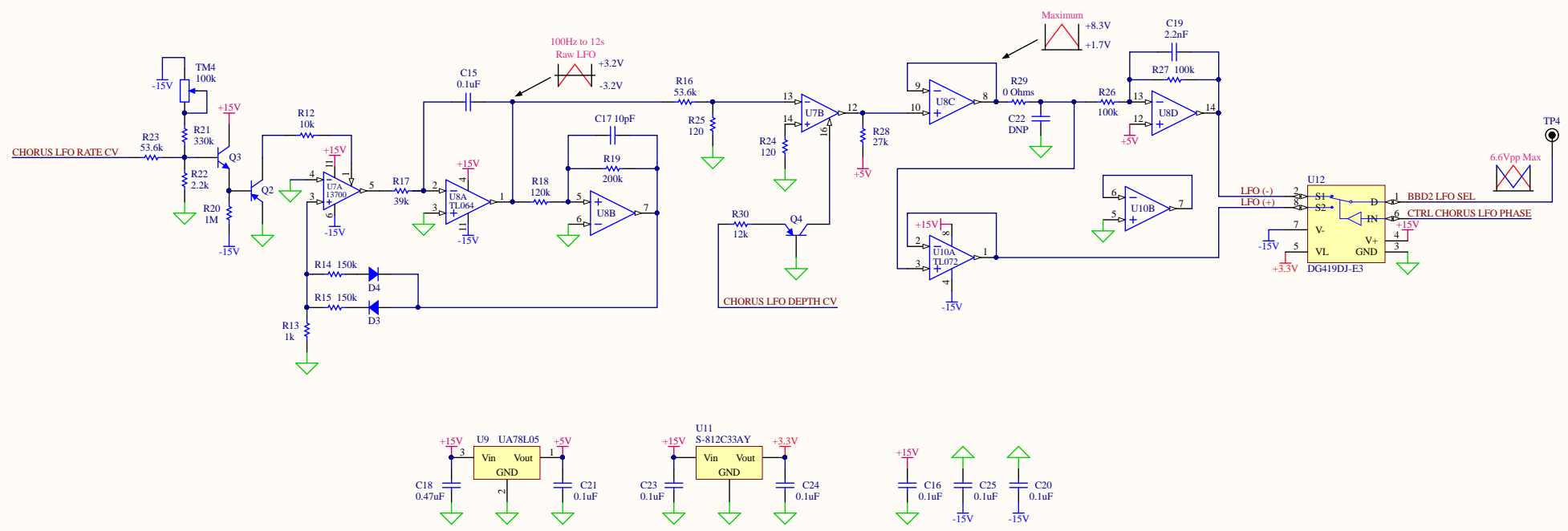
Project: VS-1 Output Board.PjPcb

Author: BC

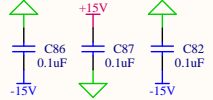
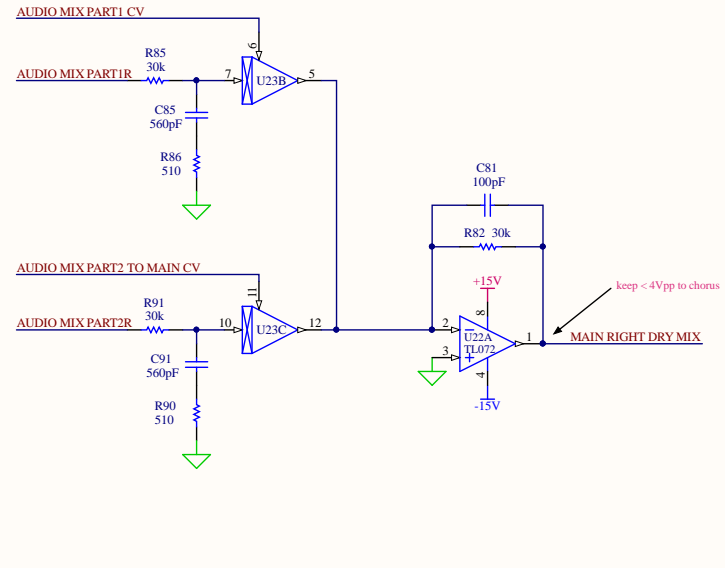
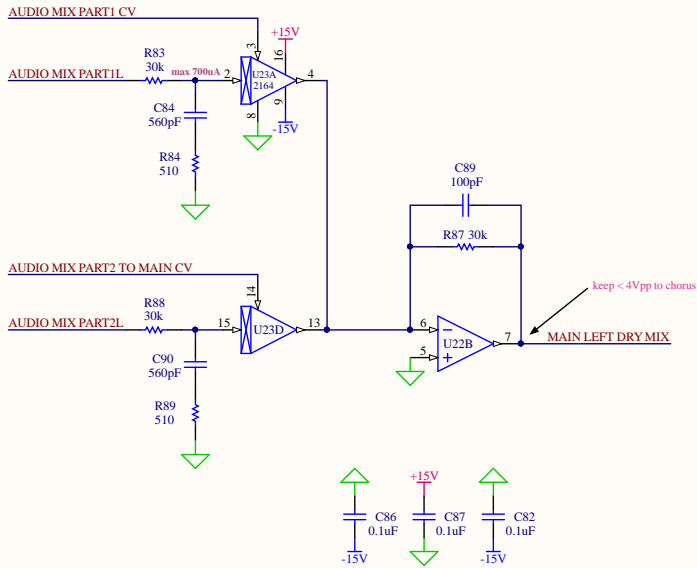
Sheet 2 of 6 Rev: A2

**Abstrakt
 Instruments**
 Vintage Sound. Modern Design.

CHORUS VCLFO

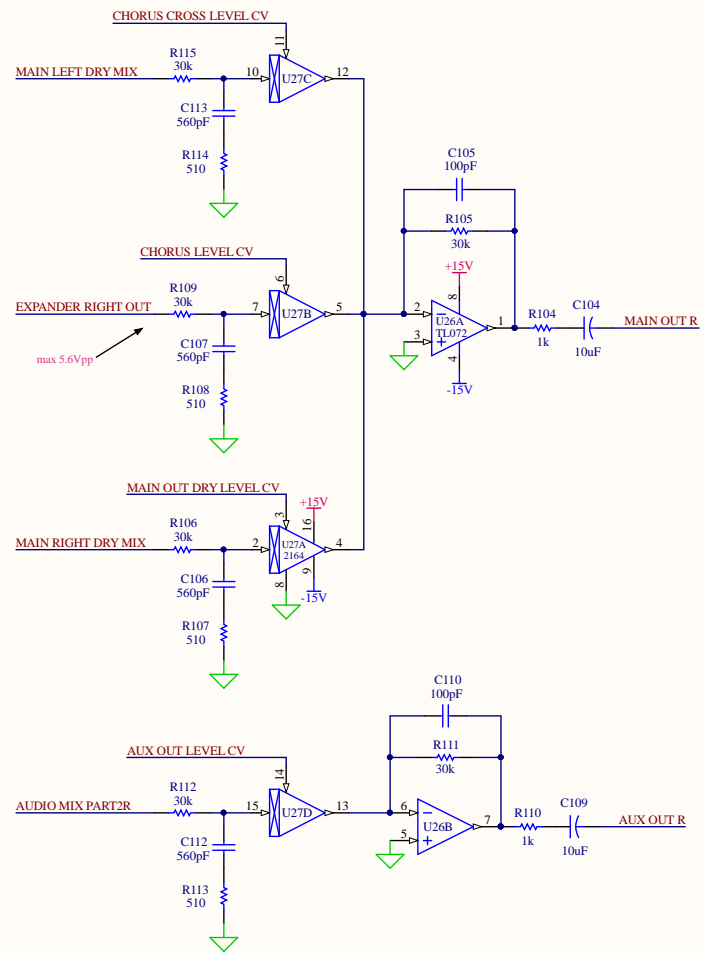
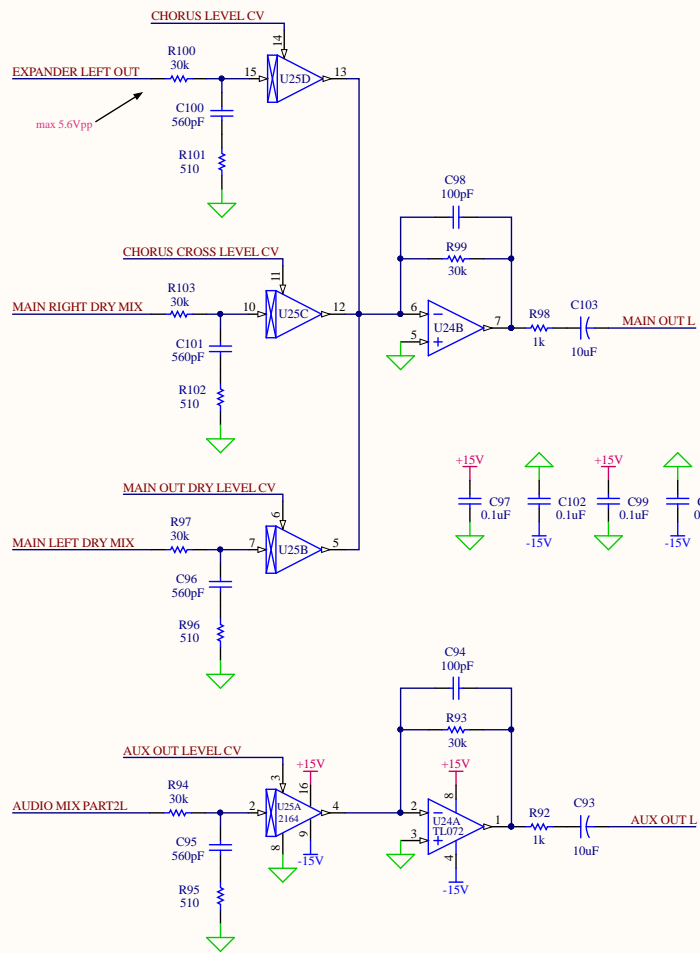


CHORUS VCLFO	Part Number: 00242-01	Abstrakt Instruments <small>Vintage Sound. Modern Design.</small>
Date: 2/8/2024	Project: VS-1 Output Board.PyPcb	
File: Output Board Sheet3.SchDoc	Author: BC	
	Sheet: 3 of 6	Rev: A2



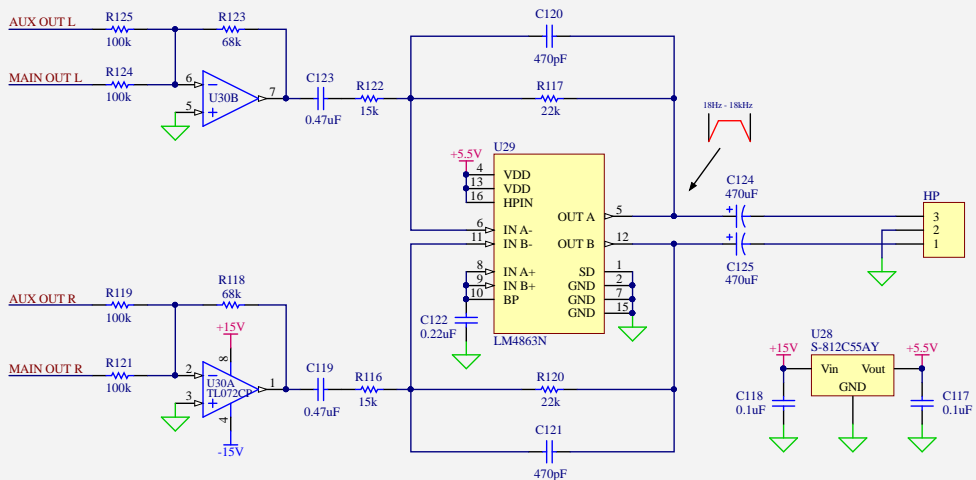
AUDIO GROUP SELECT		Part Number: 00242-01
Date: 2/8/2024	Project: VS-1 Output Board.PyPcb	Author: BC
File: Output Board Sheet4.SchDoc	Sheet 4 of 6	Rev: A2



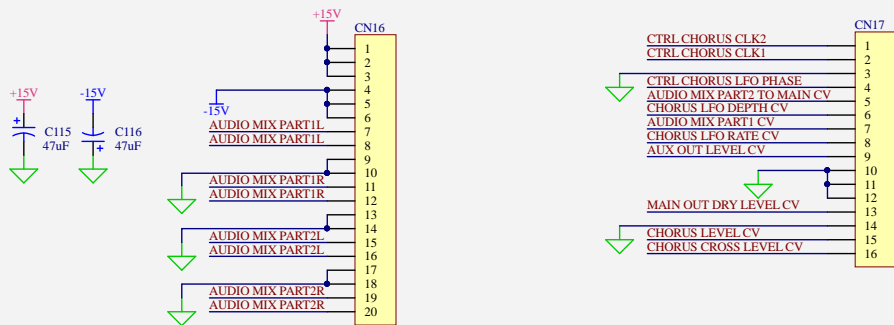


FINAL OUTPUT SUM		Part Number: 00242-01	
Date: 2/8/2024	Project: VS-1 Output Board.PyPcb	Author: BC	Abstrakt Instruments Vintage Sound. Modern Design.
File: Output Board Sheet5.SchDoc	Sheet 5 of 6	Rev: A2	

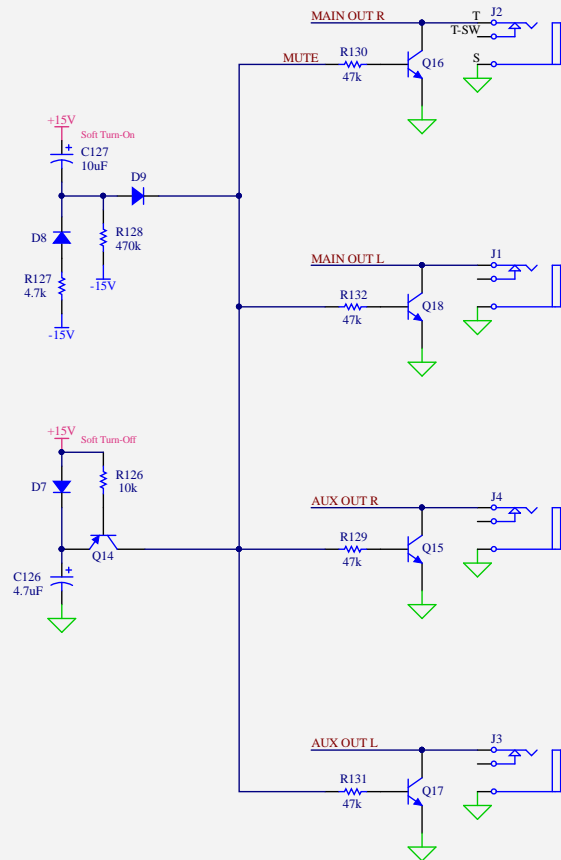
HEADPHONE AMP



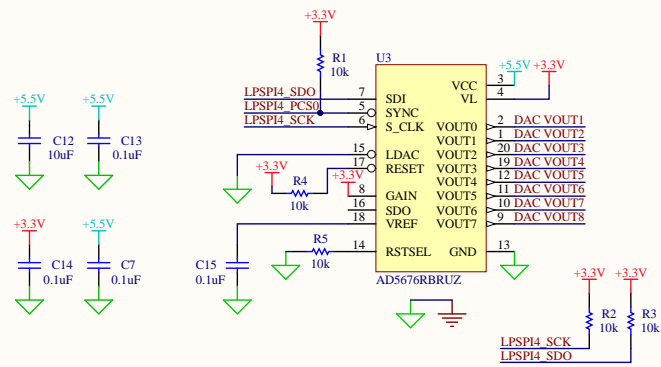
CHORUS CONNECTORS



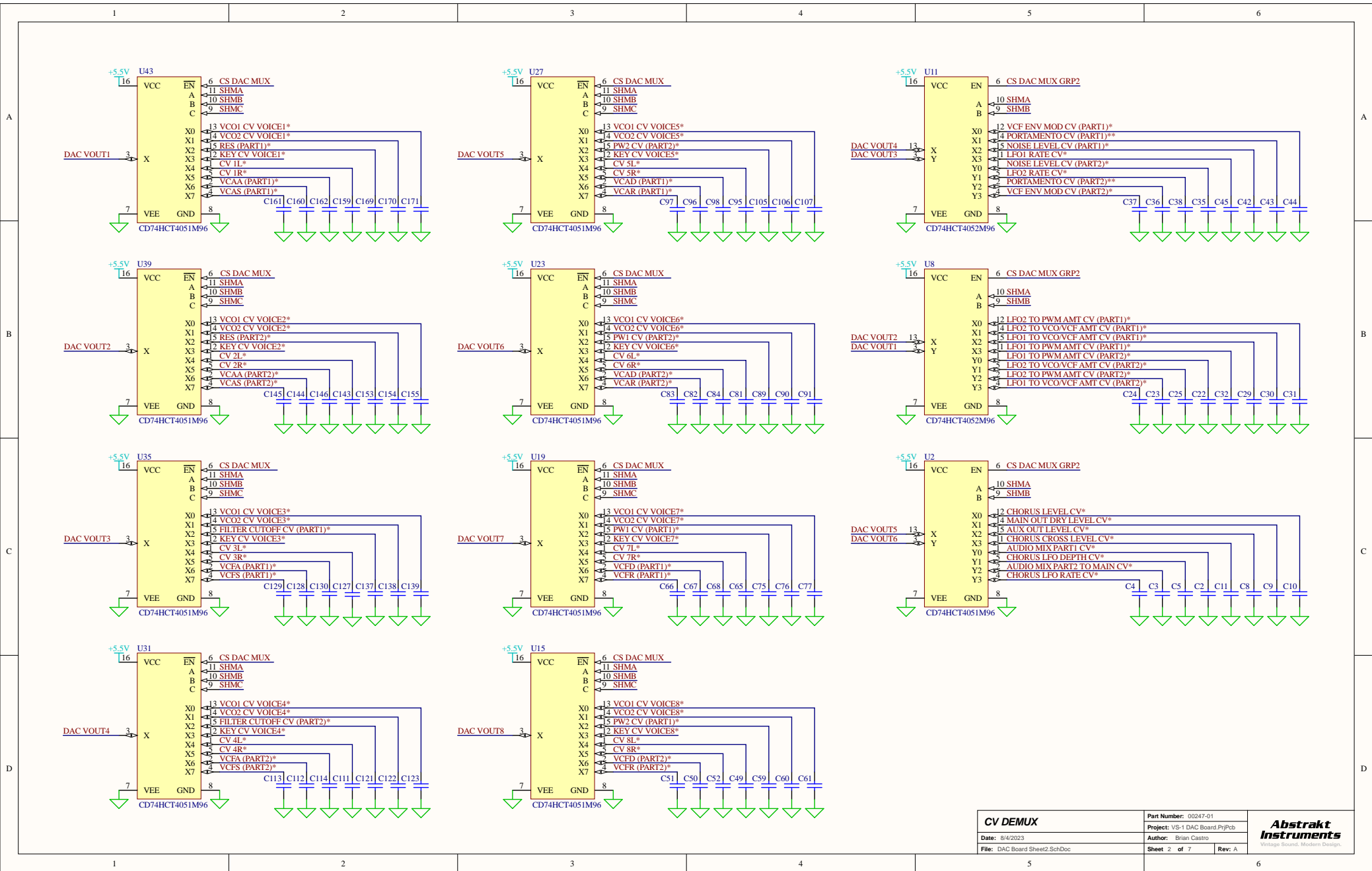
MUTE & OUTPUT JACKS



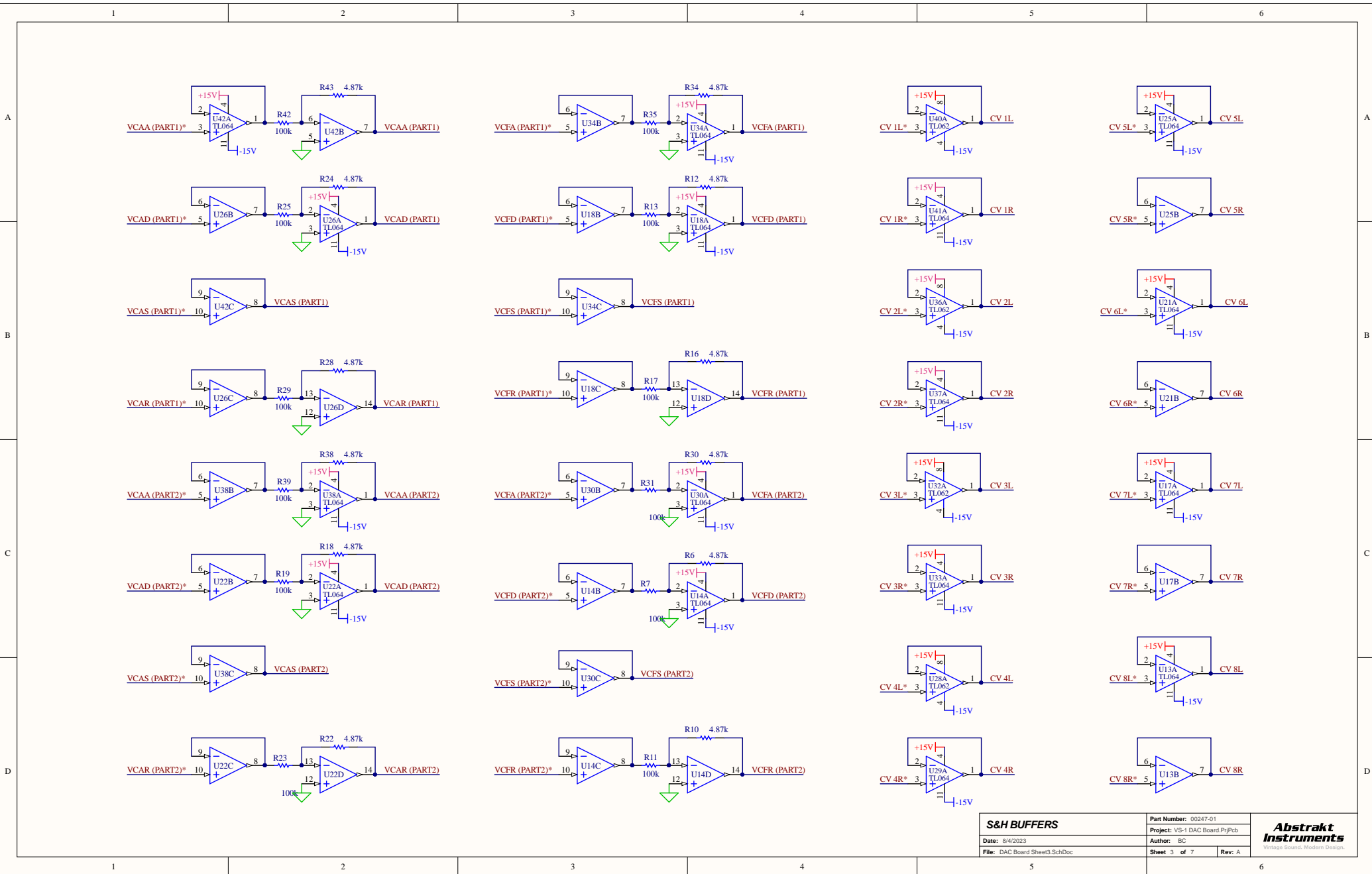
HEADPHONE AMP & I/O	Part Number: 00242-01	Abstrakt Instruments <small>Vintage Sound. Modern Design.</small>
Date: 2/8/2024	Project: VS-1 Output Board.PyPcb	
File: Output Board Sheet6.SchDoc	Author: BC	
	Sheet 6 of 6 Rev: A2	



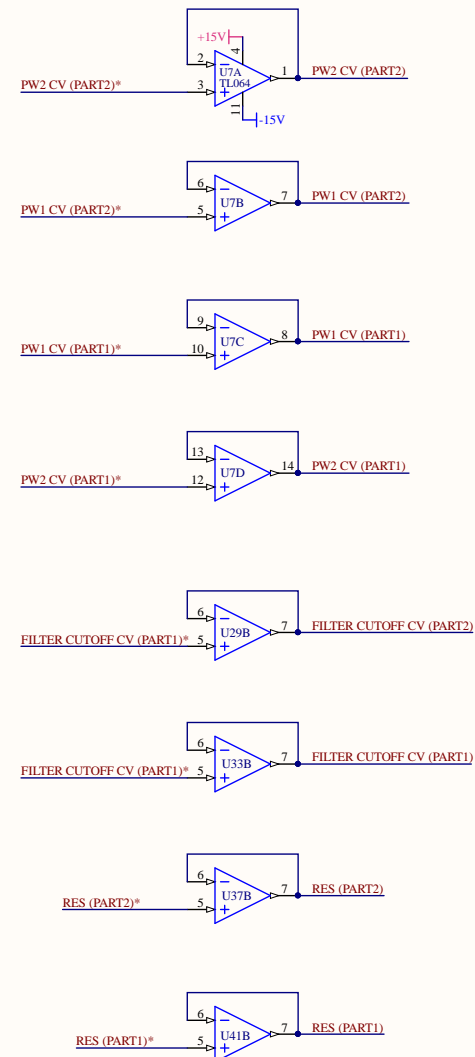
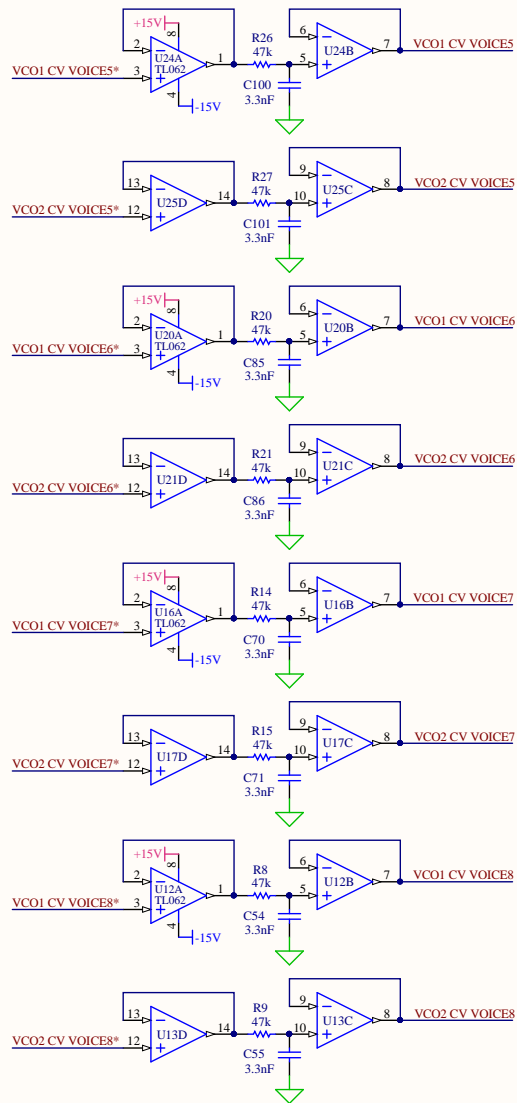
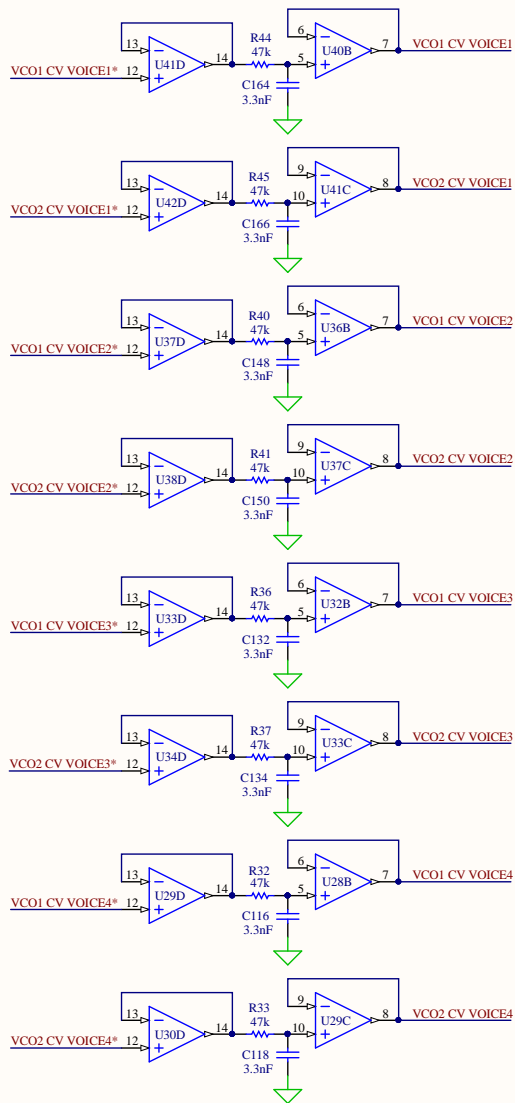
DAC	Part Number: 00247-01	Abstrakt Instruments <small>Vintage Sound. Modern Design.</small>
Date: 8/4/2023	Project: VS-1 DAC Board.PriPcb	
File: DAC Board Sheet1.SchDoc	Author: BC Sheet 1 of 7 Rev: A	



CV DEMUX		Part Number: 00247-01	Abstrakt Instruments Vintage Sound, Modern Design.
Date: 8/4/2023	Project: VS-1 DAC Board.PnPb	Author: Brian Castro	
File: DAC Board Sheet2.SchDoc	Sheet 2 of 7	Rev: A	

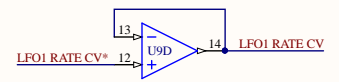
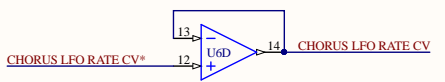
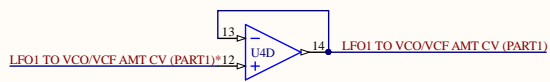
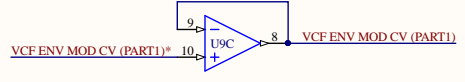
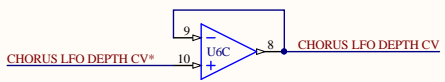
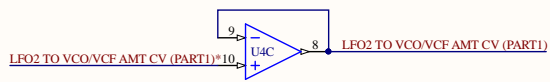
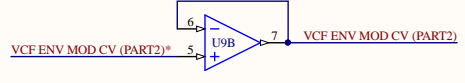
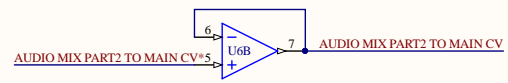
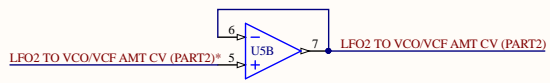
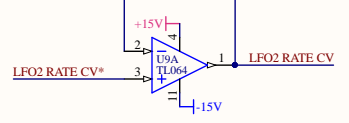
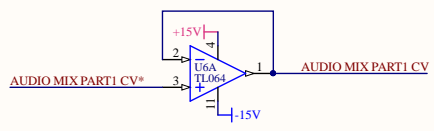
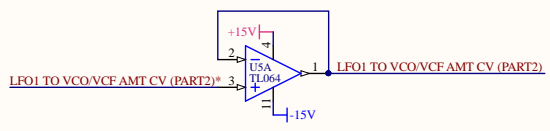
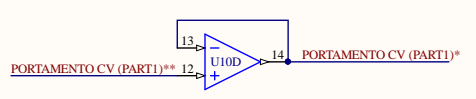
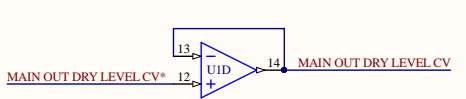
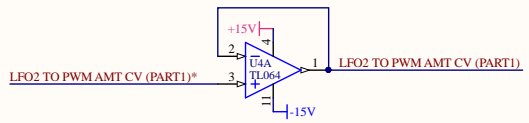
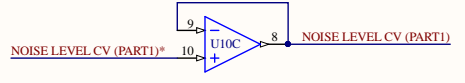
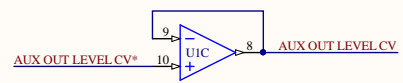
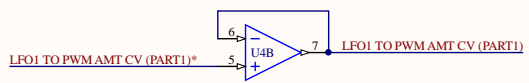
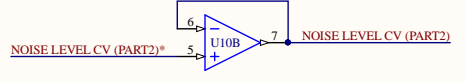
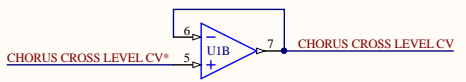
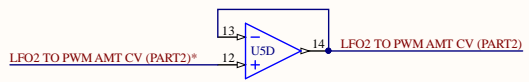
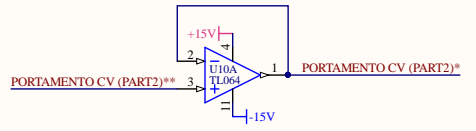
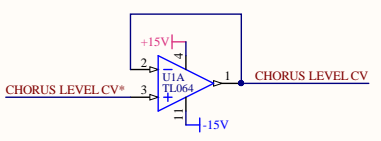
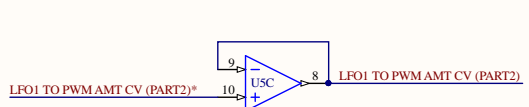


S&H BUFFERS		Part Number: 00247-01	Abstrakt Instruments <small>Vintage Sound, Modern Design.</small>
Date: 8/4/2023		Project: VS-1 DAC Board.PriPcb	
File: DAC Board Sheet3.SchDoc		Author: BC	
		Sheet 3 of 7 Rev: A	



S&H BUFFERS		Part Number: 00247-01	Abstrakt Instruments Vintage Sound. Modern Design.
Date: 8/4/2023		Project: VS-1 DAC Board.PnPb	
File: DAC Board Sheet4.SchDoc		Author: BC	
		Sheet 4 of 7 Rev: A	

1 2 3 4 5 6



S&H BUFFERS		Part Number: 00247-01	Abstrakt Instruments Vintage Sound. Modern Design.
Date: 8/4/2023		Project: VS-1 DAC Board.PnPb	
File: DAC Board Sheet5.SchDoc		Author: BC	
		Sheet: 5 of 7 Rev: A	

1 2 3 4 5 6

TO MAINBOARD

CN5	
ANALOG LFO TO VCO2 CV (PART1)	1
ANALOG LFO TO VCO1 CV (PART1)	2
GATE8	3
KEY CV VOICES	4
GATE7	5
KEY CV VOICE7	6
GATE6	7
KEY CV VOICE6	8
GATE5	9
KEY CV VOICES	10
GATE4	11
KEY CV VOICE4	12
GATE3	13
KEY CV VOICE3	14
GATE2	15
KEY CV VOICE2	16
GATE1	17
KEY CV VOICE1	18
CTRL_XMOD (PART1)	19
CTRL_FILTER MODE B (PART1)	20
PW1 SUM (PART1)	21
CTRL_FILTER MODE A (PART1)	22
NOISE LEVEL CV (PART1)	23
PW2 SUM (PART1)	24
NOISE LEVEL CV (PART2)	25
CTRL_XMOD (PART2)	26
CTRL_FILTER MODE A (PART2)	27
CTRL_FILTER MODE B (PART2)	28
PW2 SUM (PART2)	29
PW1 SUM (PART2)	30

CN7	
+15V LFO1 TO VCO/VCF AMT CV (PART1)	1
LFO2 TO VCO/VCF AMT CV (PART1)	2
LFO2 TO PWM AMT CV (PART1)	3
LFO1 TO PWM AMT CV (PART1)	4
LFO1 TO PWM AMT CV (PART2)	5
LFO2 TO PWM AMT CV (PART2)	6
PORTAMENTO CV (PART1)*	7
LFO2 TO VCO/VCF AMT CV (PART2)	8
PORTAMENTO CV (PART2)*	9
LFO1 TO VCO/VCF AMT CV (PART2)	10
KEY CV VOICES*	11
KEY CV VOICE*	12
KEY CV VOICES*	13
KEY CV VOICES*	14
KEY CV VOICES*	15
KEY CV VOICES*	16
KEY CV VOICES*	17
KEY CV VOICES*	18
KEY CV VOICES*	19
KEY CV VOICES*	20
KEY CV VOICES*	21
KEY CV VOICES*	22
KEY CV VOICES*	23
KEY CV VOICES*	24
KEY CV VOICES*	25
KEY CV VOICES*	26
KEY CV VOICES*	27
KEY CV VOICES*	28
KEY CV VOICES*	29
KEY CV VOICES*	30

CN6	
PW1 CV (PART1)	1
PW2 CV (PART1)	2
PW1 CV (PART2)	3
PW2 CV (PART2)	4
+5.5V	5
FILTER CUTOFF CV (PART2)	6
FILTER CUTOFF CV (PART2)	7
VCF COMMON CV (PART2)	8
VCF COMMON CV (PART2)	9
ANALOG LFO TO VCO2 CV (PART2)	10
ANALOG LFO TO VCO2 CV (PART2)	11
CTRL_SYNC (PART2)	12
ANALOG LFO TO VCO1 CV (PART2)	13
CTRL_VCO2 LEVEL (PART2)	14
CTRL_VCO2 LEVEL (PART2)	15
CTRL_VCO2 WAVE (PART2)	16
CTRL_VCO1 WAVE (PART2)	17
CTRL_TRACK (PART2)	18
CTRL_TRACK (PART2)	19
VCF COMMON CV (PART1)	20
VCF COMMON CV (PART1)	21
CTRL_VCO1 WAVE (PART1)	22
CTRL_SYNC (PART1)	23
FILTER_CUTOFF CV (PART1)	24
FILTER_CUTOFF CV (PART1)	25
CTRL_TRACK (PART1)	26
CTRL_VCO2 LEVEL (PART1)	27
CTRL_VCO2 LEVEL (PART1)	28
CTRL_VCO2 WAVE (PART1)	29
CTRL_VCO1 WAVE (PART1)	30

CN8	
CTRL_CHORUS LFO PHASE	1
CTRL_CHORUS LFO PHASE	2
CTRL_CHORUS CLK2	3
CTRL_CHORUS CLK1	4
LFO1 RATE CV	5
LFO1 RATE CV	6
LFO2 RATE CV	7
LFO2 RATE CV	8
NOISE (PART2)	9
NOISE (PART1)	10
NOISE (PART2)	11
NOISE (PART1)	12

CN9	
DAC1 SDI	1
DAC1 CLK	2
DAC1 SDI	3
DAC1 CS	4
CS_DAC_MUX_GRP2	5
SHMC	6
+3.3V SHMB	7
SHMA	8
CS_DAC_MUX	9
	10
	11
	12

TO VOICE MOBO

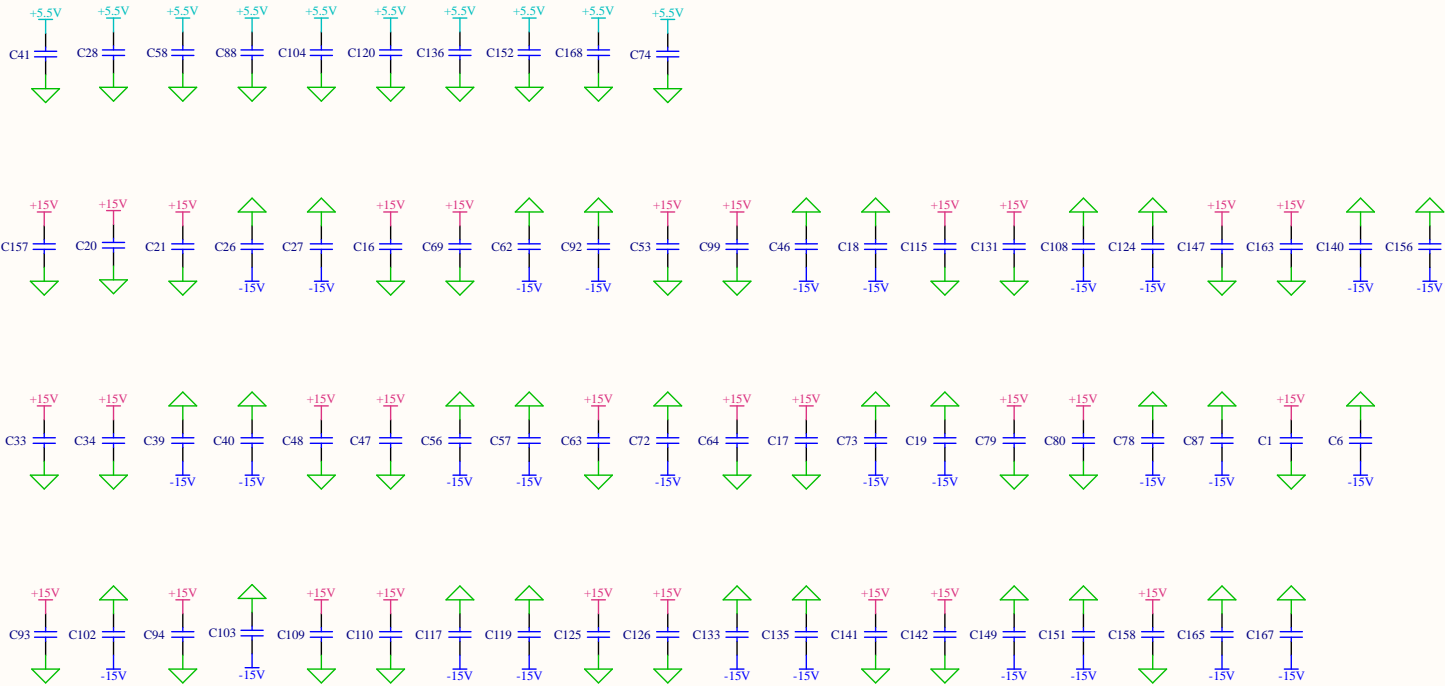
CN1	
VCO1 CV VOICE1	1
VCO2 CV VOICE1	2
VCO1 CV VOICE2	3
VCO2 CV VOICE2	4
VCO1 CV VOICE2	5
VCO2 CV VOICE3	6
VCO1 CV VOICE3	7
VCO2 CV VOICE3	8
VCO1 CV VOICE4	9
VCO2 CV VOICE4	10
VCO1 CV VOICE4	11
VCO2 CV VOICE4	12
VCO1 CV VOICE5	13
VCO2 CV VOICE5	14
VCO1 CV VOICE5	15
VCO2 CV VOICE5	16
VCO1 CV VOICE6	17
VCO2 CV VOICE6	18
VCO1 CV VOICE6	19
VCO2 CV VOICE6	20
VCO1 CV VOICE7	21
VCO2 CV VOICE7	22
VCO1 CV VOICE7	23
VCO2 CV VOICE7	24
CTRL_CHORUS LFO PHASE	25
VCO1 CV VOICE8	26
CTRL_CHORUS CLK1	27
VCO2 CV VOICE8	28
VCO1 CV VOICE8	29
VCO2 CV VOICE8	30

CN2	
CHORUS LFO DEPTH CV	1
CTRL_CHORUS CLK2	2
CHORUS LFO RATE CV	3
AUDIO MIX PART2 TO MAIN CV	4
CV_2L	5
CV_1L	6
CV_2R	7
CV_4R	8
CV_3R	9
CV_4L	10
CV_3L	11
CV_6L	12
CV_5L	13
CV_5R	14
CV_6R	15
CV_8R	16
CV_7R	17
CV_8L	18
CV_7L	19
CV_7L	20
CV_7L	21
PW2 SUM (PART2)	22
PW1 SUM (PART2)	23
CTRL_FILTER MODE B (PART2)	24
CTRL_FILTER MODE A (PART2)	25
PW2 SUM (PART1)	26
CTRL_XMOD (PART2)	27
CTRL_FILTER MODE A (PART1)	28
PW1 SUM (PART1)	29
PW1 SUM (PART1)	30

CN3	
CTRL_XMOD (PART1)	1
CTRL_FILTER MODE B (PART1)	2
KEY CV VOICE1	3
GATE1	4
KEY CV VOICE2	5
GATE2	6
KEY CV VOICE3	7
GATE3	8
KEY CV VOICE4	9
GATE4	10
KEY CV VOICES	11
GATE5	12
KEY CV VOICE6	13
GATE6	14
KEY CV VOICE7	15
GATE7	16
KEY CV VOICES	17
GATE8	18
ANALOG LFO TO VCO1 CV (PART1)	19
ANALOG LFO TO VCO2 CV (PART1)	20
NOISE (PART1)	21
CTRL_SYNC (PART1)	22
CTRL_VCO2 LEVEL (PART1)	23
CTRL_VCO2 WAVE (PART1)	24
CTRL_VCO1 WAVE (PART1)	25
CTRL_TRACK (PART1)	26
VCFS (PART1)	27
VCFR (PART1)	28
VCFD (PART1)	29
VCFA (PART1)	30

CN4	
RES (PART1)	1
VCF_ENV_MOD CV (PART1)	2
VCF_COMMON CV (PART1)	3
VCAS (PART1)	4
VCAR (PART1)	5
VCAD (PART1)	6
VCAA (PART1)	7
ANALOG LFO TO VCO1 CV (PART2)	8
ANALOG LFO TO VCO2 CV (PART2)	9
CTRL_SYNC (PART2)	10
NOISE (PART2)	11
CTRL_VCO2 LEVEL (PART2)	12
CTRL_VCO2 WAVE (PART2)	13
CTRL_VCO1 WAVE (PART2)	14
CTRL_TRACK (PART2)	15
VCFS (PART2)	16
VCFR (PART2)	17
VCFD (PART2)	18
VCFA (PART2)	19
RES (PART2)	20
VCF_ENV_MOD CV (PART2)	21
VCF_COMMON CV (PART2)	22
VCAS (PART2)	23
VCAR (PART2)	24
VCAD (PART2)	25
VCAA (PART2)	26
CHORUS LEVEL CV	27
CHORUS_CROSS_LEVEL CV	28
MAIN_OUT_DRY_LEVEL CV	29
AUX_OUT_LEVEL CV	30

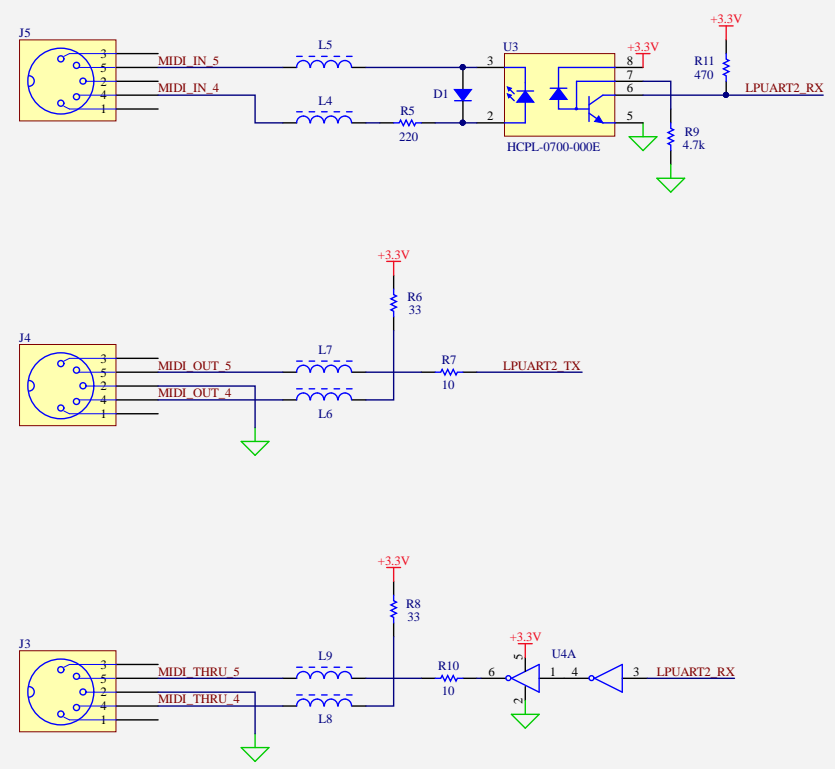
DAC CONNECTORS		Part Number: 00247-01	Abstrakt Instruments Vintage Sound. Modern Design.
Date: 8/4/2023	Project: VS-1 DAC Board.PnPb	Author: BC	
File: DAC Board Sheet6.SchDoc	Sheet 6 of 7	Rev: A	



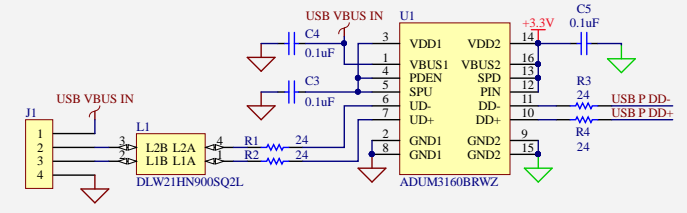
BYPASS CAPS		Part Number: 00247-01
Date: 8/4/2023		Project: VS-1 DAC Board.PriPcb
File: DAC Board Sheet7.SchDoc		Author: BC
		Sheet 7 of 7 Rev: A



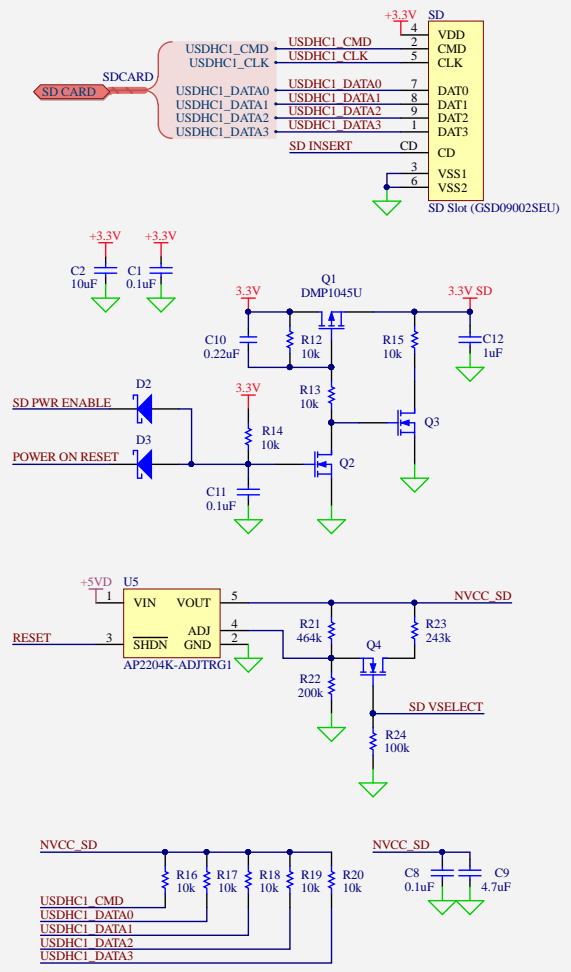
DIN MIDI



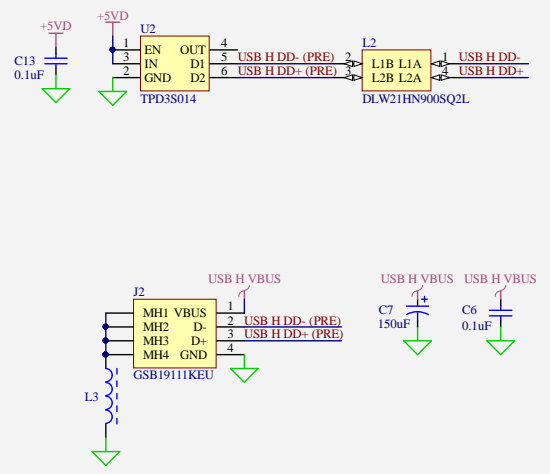
USB MIDI



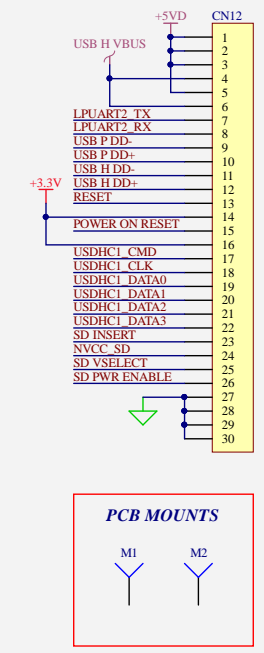
SD CARD



USB HOST



CONNECTOR



SD, USB HOST, IO HEADER		Part Number: 00248-01
Date: 8/22/2023		Project: VS-1 IO Board.PjPcb
File: IO Board Sheet2.SchDoc		Author: BC
Sheet 2	of 2	Rev: A

