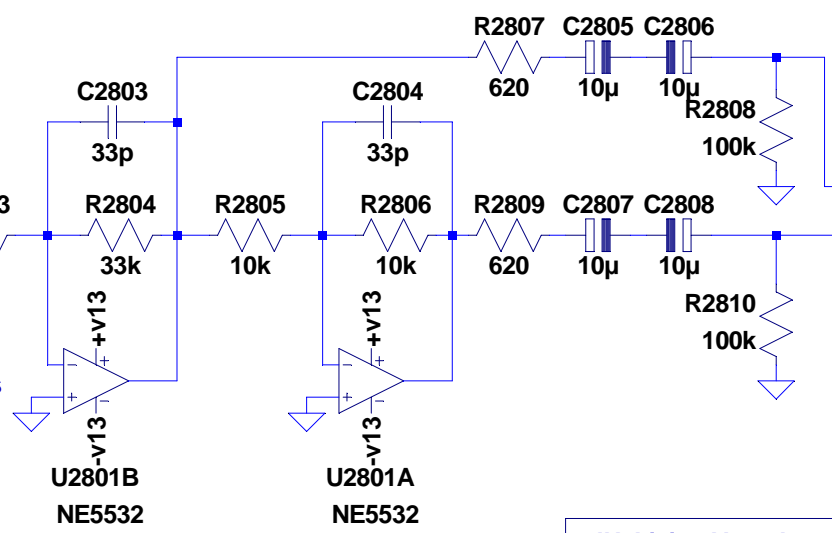
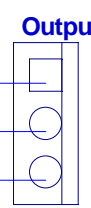


Input of Output-Amplifier.
Choose between Vocoder Signal,
Speech or Excitation Signal
via switch and /or potentiometers



use 3 pins for balanced output.
use GND pin and middle pin for unbalanced output



JH. Living Vocoder
(c) J. Haible 2010
All Rights reserved
Errors excepted

Output Amplifier