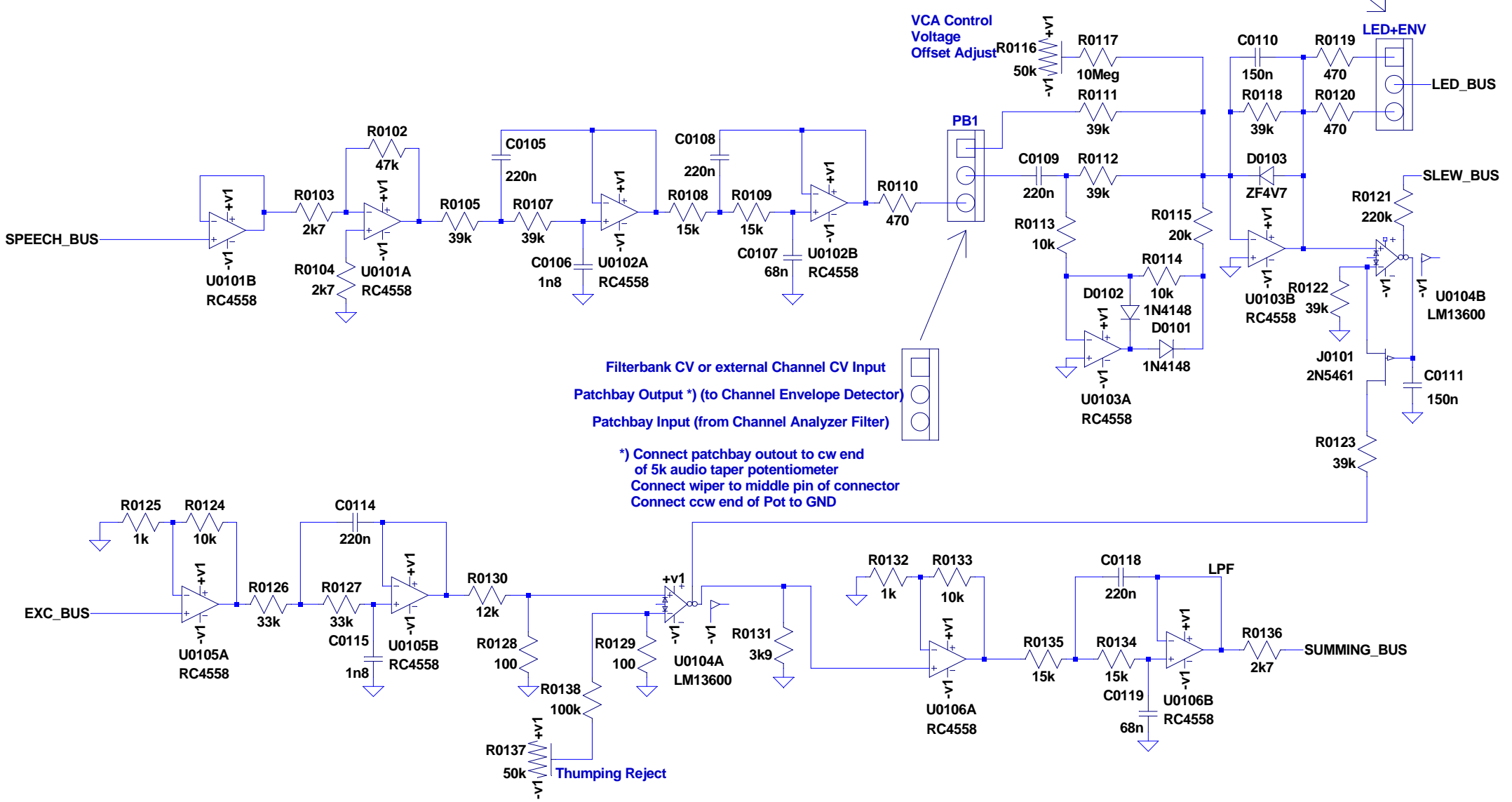


JH. Living Vocoder  
 (c) J. Haible 2010  
 All Rights reserved  
 Errors excepted  
 Channel 1

Channel Level LED Cathode  
 Channel Level LED Anode  
 Channel CV Output (negative voltage!)



Filterbank CV or external Channel CV Input  
 Patchbay Output \*) (to Channel Envelope Detector)  
 Patchbay Input (from Channel Analyzer Filter)

\*) Connect patchbay outout to cw end  
 of 5k audio taper potentiometer  
 Connect wiper to middle pin of connector  
 Connect ccw end of Pot to GND