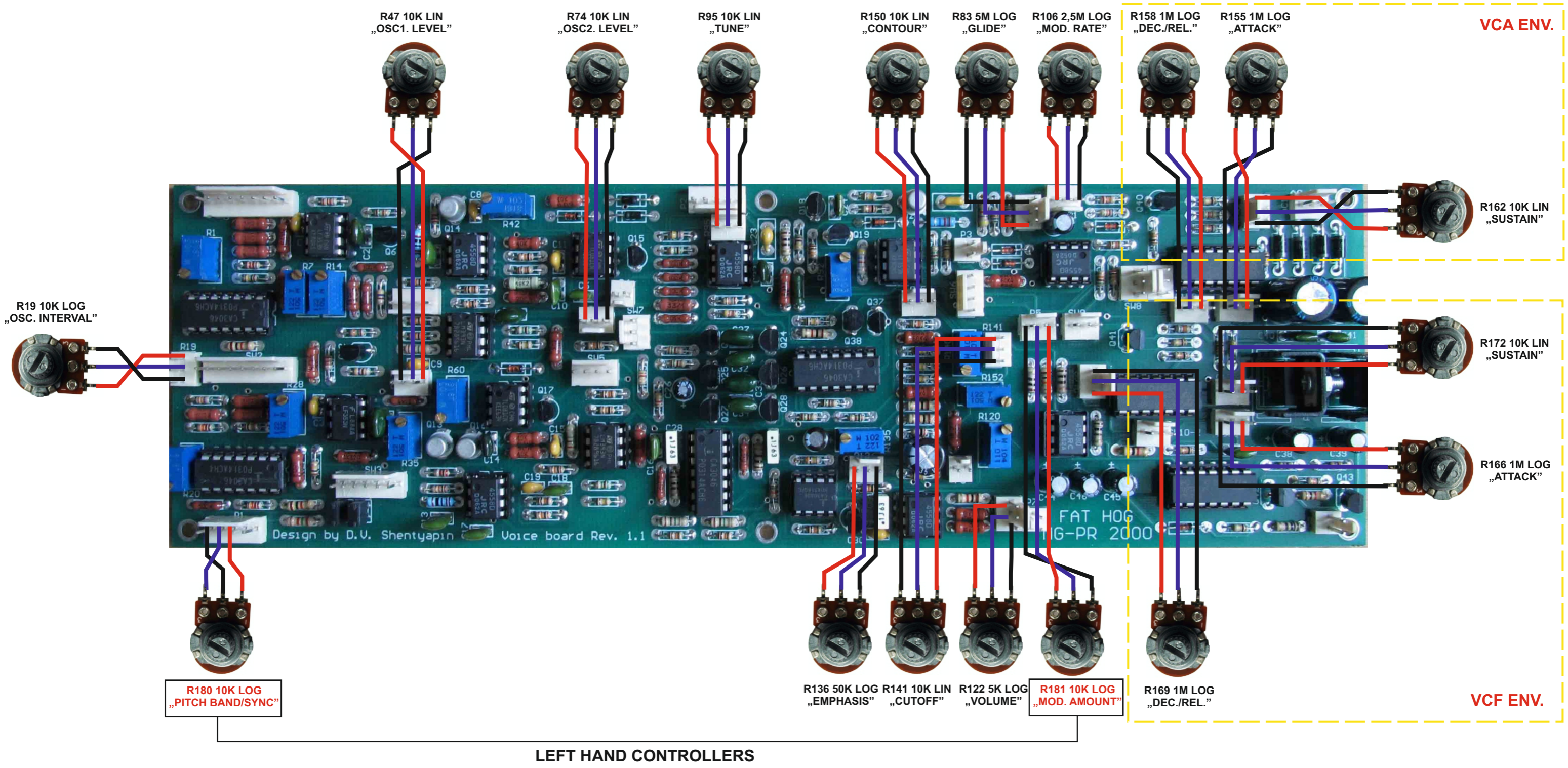
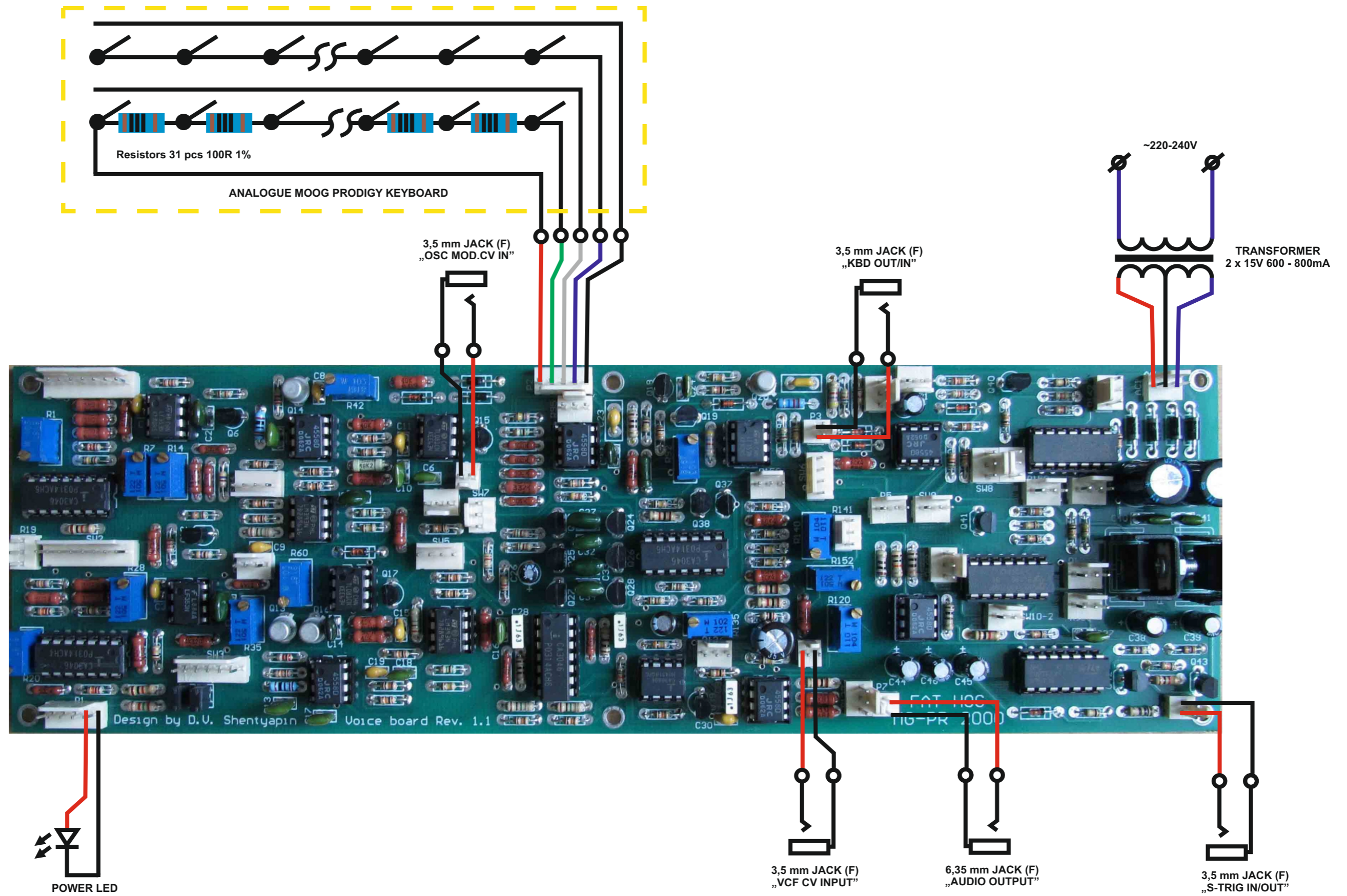


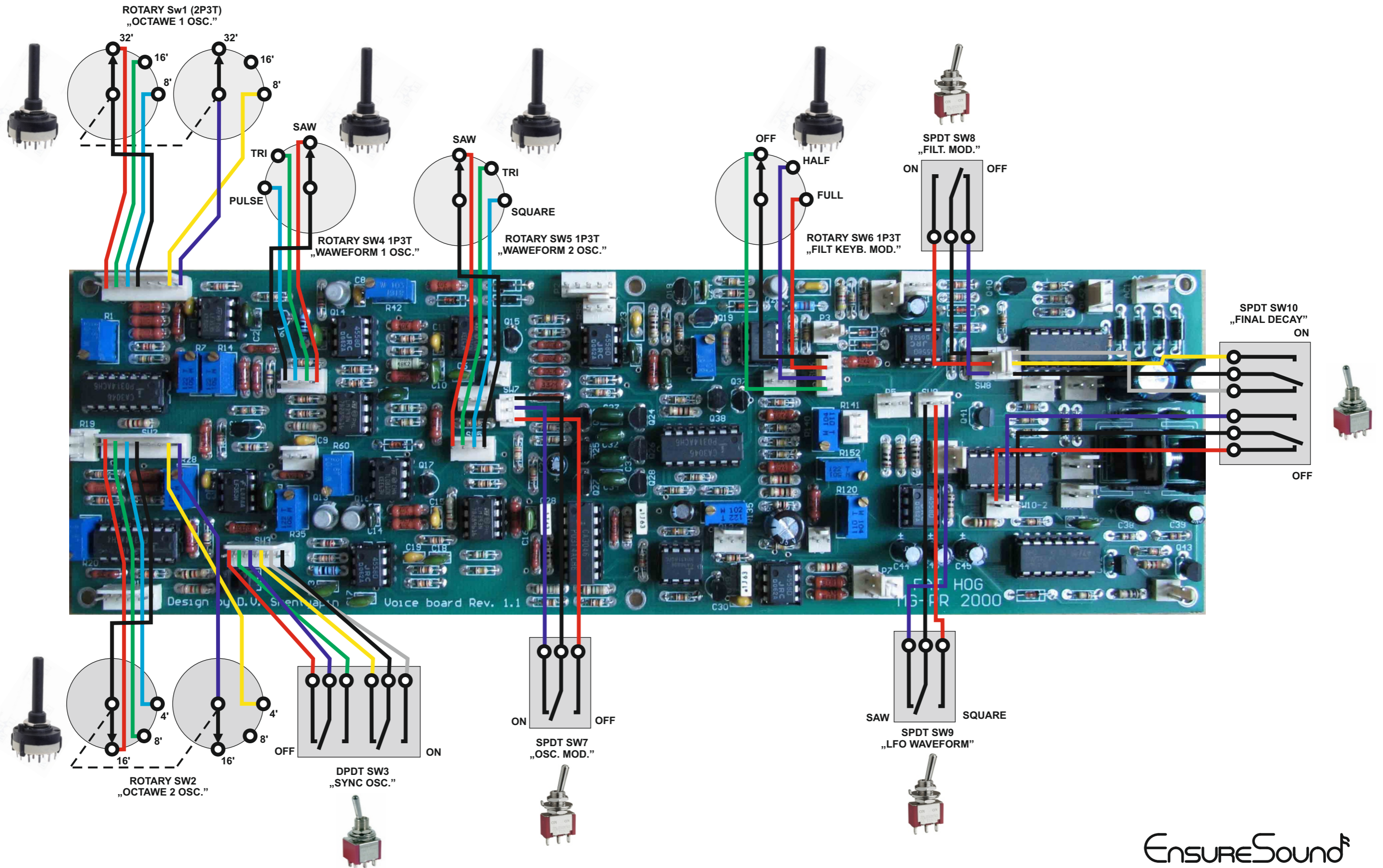
POTENTIOMETERS WIRING DIAGRAM



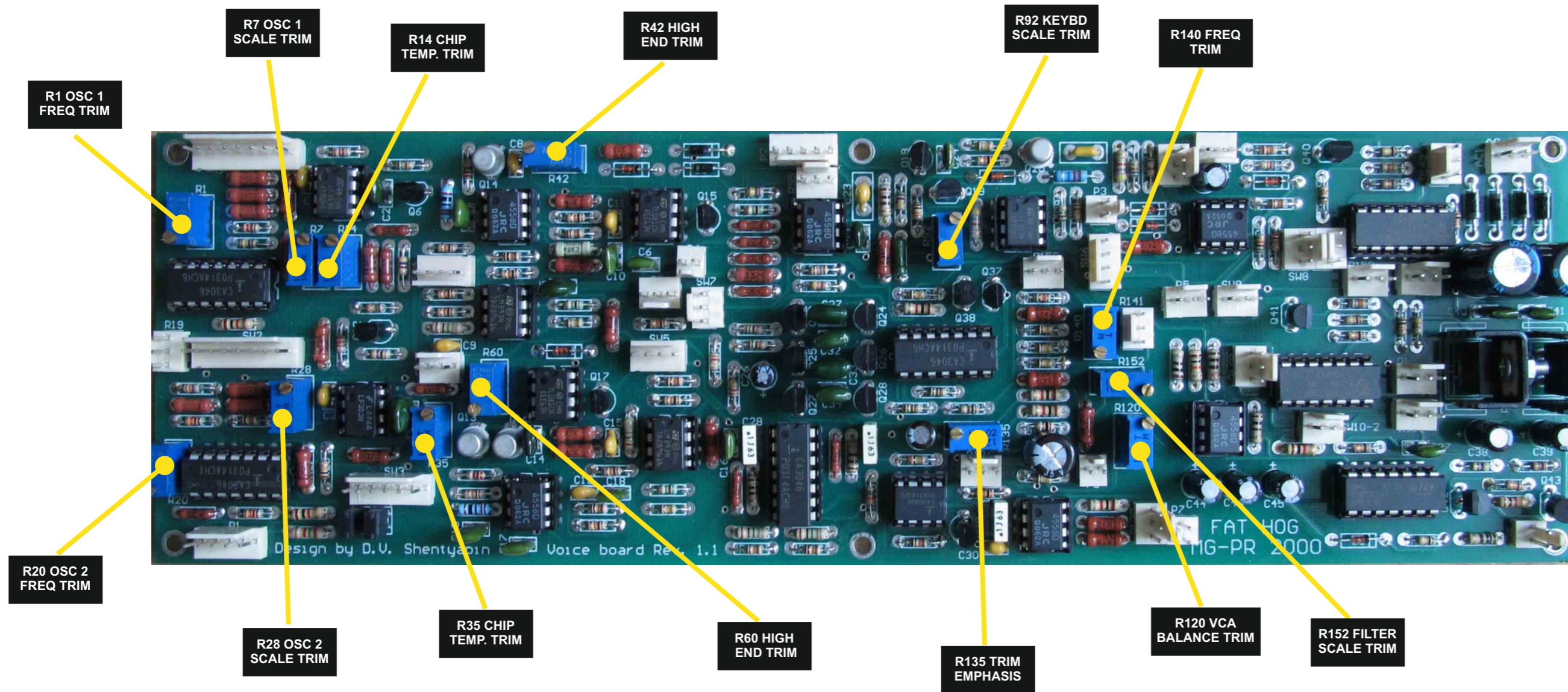
CONNECTORS, TRANSFORMER, KEYBOARD WIRING DIAGRAM



SWITCHES WIRING DIAGRAM



TRIMMER POTENTIOMETERS



CV/GATE, PUSH BUTTON „MANUAL TRIGGER” CONNECTIONS

